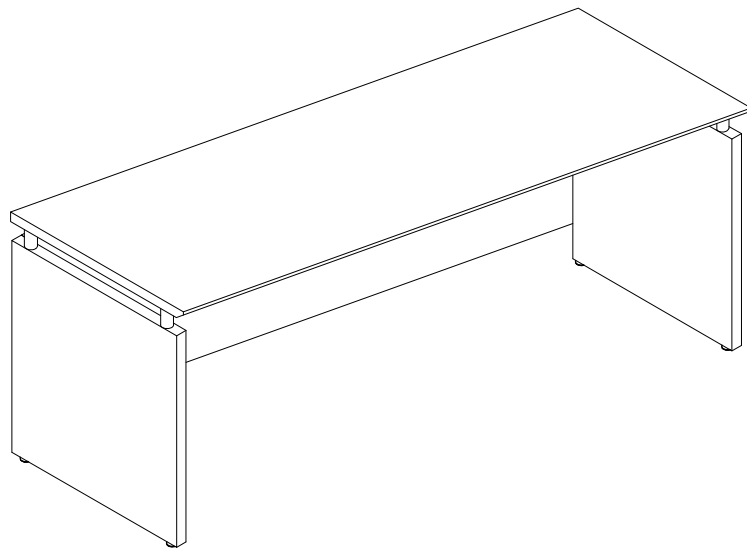





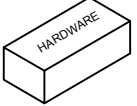
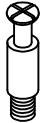


Medina Series™
Credenza
Model No. MNCNZ63/72



ASSEMBLY INSTRUCTIONS
CALL 1-800-822-8037 FOR ASSISTANCE

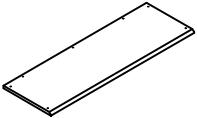
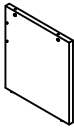
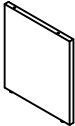
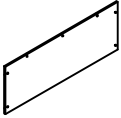
PARTS LIST

Name	Part	Qty.	Spare Qty.	Name	Part	Qty.	Spare Qty.
A	 REALS001 Cam Lock	11	1	D	 REALS414 Base Stand-Off	7	
B	 REALS102** Cam Sticker	11	1		 MNCNZHB		
C	 REALS003 Cam Post	11	1				

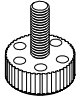
Items with HB are in hardware box.

**Denotes Color Code

PARTS LIST

Name	Part	Qty.	Name	Part	Qty.
F	 MNCNZ~~** Top	1	H2	 MNCNZH2** End Panel-Right	1
H1	 MNCNZH1** End Panel-Left	1	G	 MNCNZG~~** Modesty Panel	1

Pre-Assembled Replacement Part List

Replacement #	Part	Qty.
REALS425	 Leveler	4

~~Denotes Size - 63/72

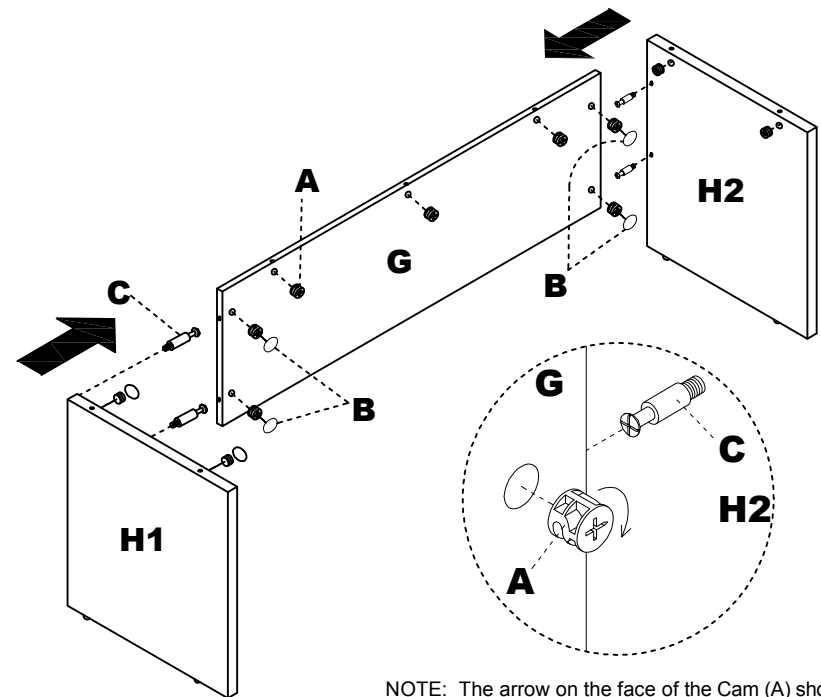
**Denotes Color Code

2

IMPORTANT!

Review ALL instructions before beginning assembly. These instructions are provided to avoid problems that may occur from improper assembly or installation. Mayline and/or its distributor are not responsible for failure resulting from improper assembly or installation of this product. Moreover, all warranties are void for failure to follow these assembly instructions.

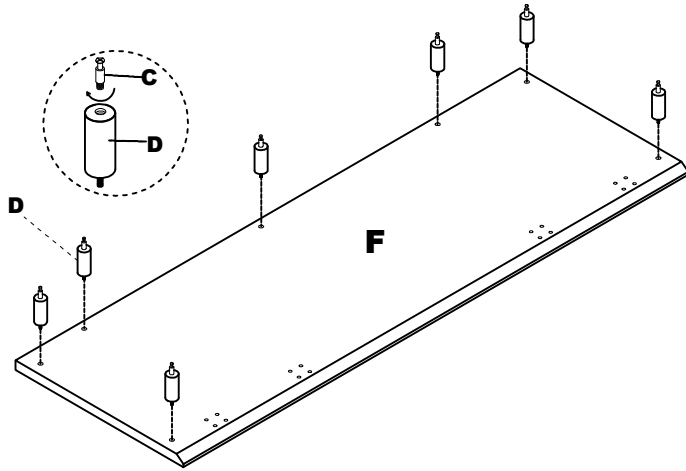
- 1 Insert Cams (A) into the Modesty Panel (G) and End Panel (H1 & H2). Install Cam Posts (C) into threaded inserts in End Panel (H1 & H2). Attach Modesty Panel (G) to End Panel (H1 & H2) by turning Cams (A). Apply Cam Sticker (B) onto Cams (A) of Modesty Panel (G).



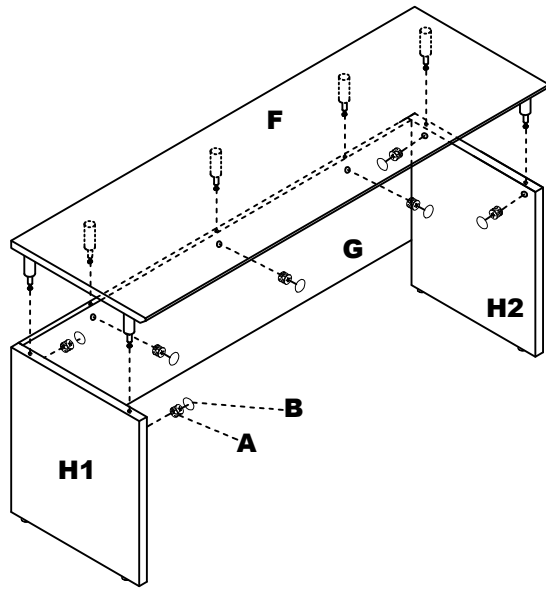
NOTE: The arrow on the face of the Cam (A) should point towards the Cam Post (C) for proper alignment.

3

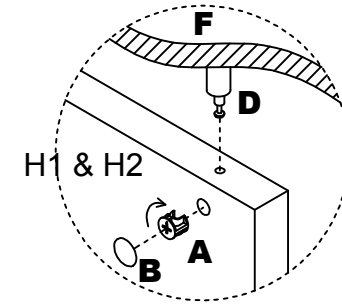
- 2** Install Base Stand-off (D) into threaded inserts in underside of Top (F).



- 3** Place Top (F) onto base and lock in place by turning Cams (A). Apply Cam Stickers (B) onto Cams (A) of End Panel (H1 & H2) and Modesty Panel (G).

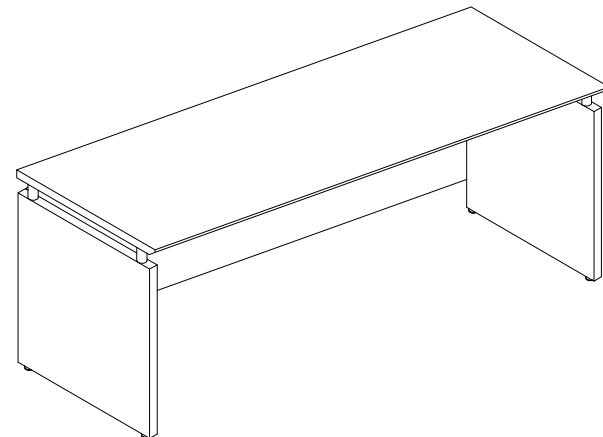


4



NOTE: The arrow on the face of the Cam (A) should point towards the Base Stand-off (D) for proper alignment.

ATTENTION: Due to the floating design of the Medina desk, care must be taken when moving the unit. Lift the desk by its base and avoid pushing the desk



5