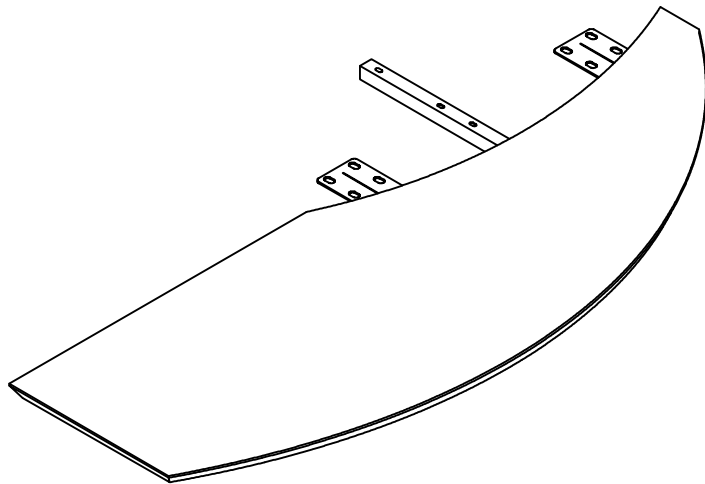


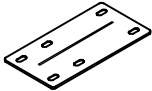

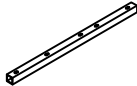


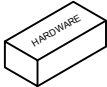


Medina Series™  
 Desk Return, Right  
 Model No. MNRTNR



ASSEMBLY INSTRUCTIONS  
 CALL 1-800-822-8037 FOR ASSISTANCE

# PARTS LIST

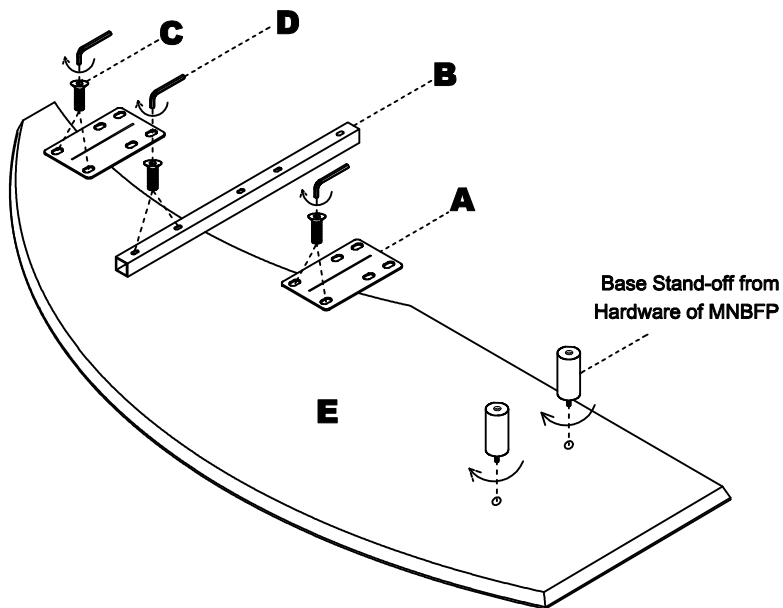
Name	Part	Qty.	Spare Qty	Name	Part	Qty.	Spare Qty
<b>A</b>	 <b>REALS407</b> Mntg Plate	<b>2</b>		<b>D</b>	 <b>REALBY028</b> Wrench	<b>1</b>	
<b>B</b>	 <b>REALS113</b> Support Bar	<b>1</b>		<b>E</b>	 <b>MNRTNR**</b> Top	<b>1</b>	
<b>C</b>	 <b>REALS409</b> M6x15mm	<b>17</b>	<b>1</b>		 <b>MNRTNHB</b>		

Items with HB are in hardware box.

## IMPORTANT!

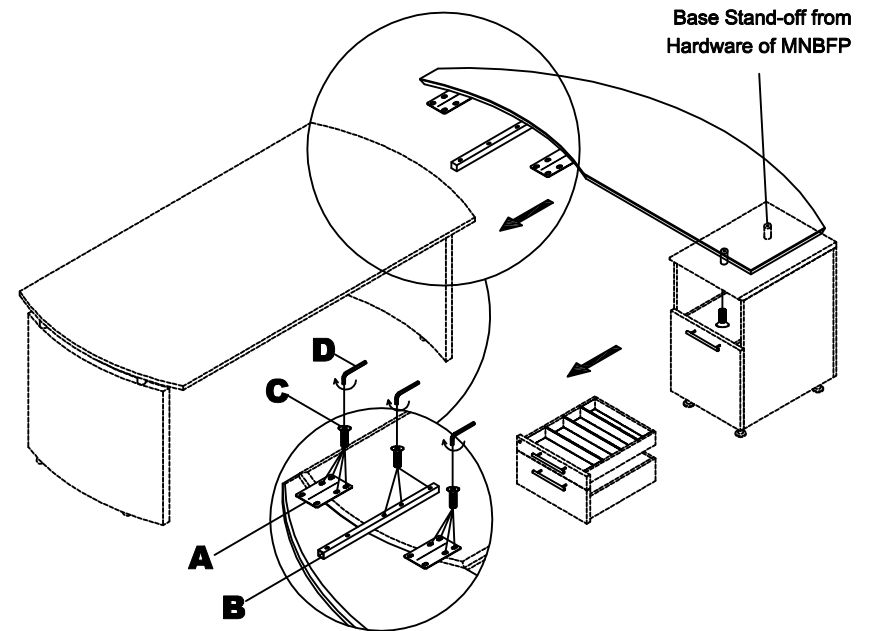
Review **ALL** instructions before beginning assembly. These instructions are provided to avoid problems that may occur from improper assembly or installation. Mayline and/or its distributor are not responsible for failure resulting from improper assembly or installation of this product. Moreover, all warranties are void for failure to follow these assembly instructions.

- 1 Attach Mntg Plates (A) and Support Bar (B) to the underside of adjacent Top (E) using Screws (C) and Wrench (D). Install Base Stand-off from Hardware of MNBFP into threaded inserts in underside of Top (E).



2

- 2 Attach Mntg Plates (A) and Support Bar (B) to the underside of adjacent Main Desk using Screws (C) and Wrench (D). Install the Top of MNRTNL to the underside of MNBFP using Screws and Base Stand-off.



3