

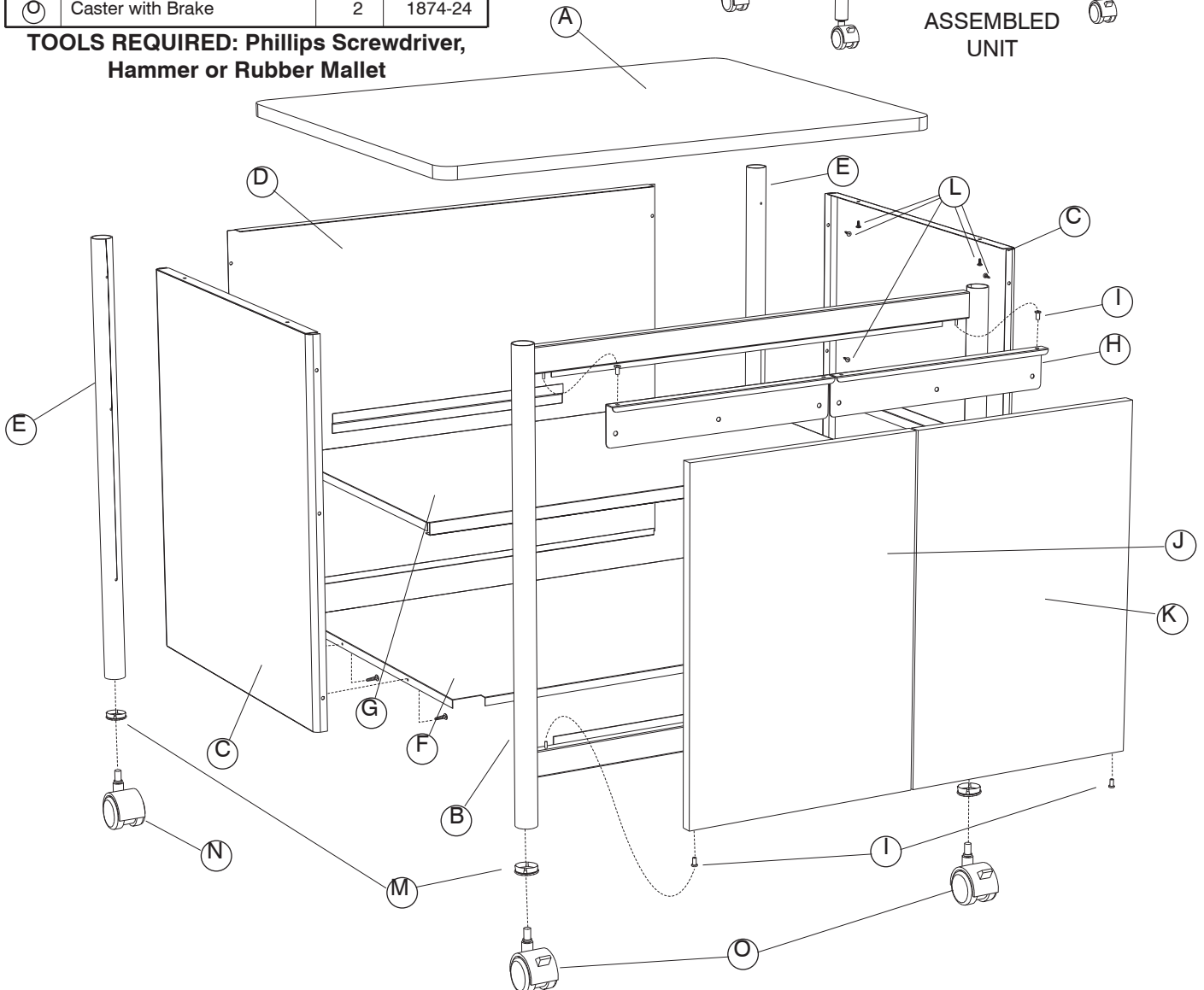
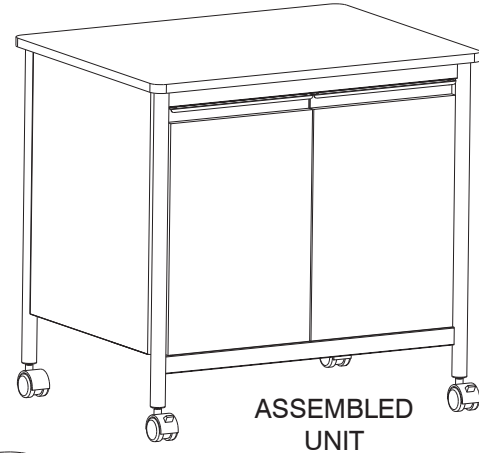
an LDI Spaces Company
Minneapolis, MN 55428
www.safcoproducts.com

ASSEMBLY INSTRUCTIONS

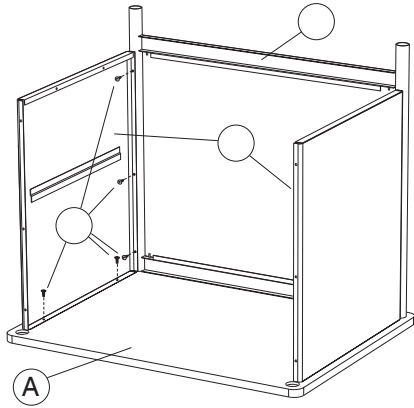
For questions or concerns, please call
Safco Consumer Hot Line 1-800-664-0042
available Monday-Friday 7:30 AM to 5:00 PM (Central Time)
(English-speaking operators)

PARTS LIST			
LETTER CODE	DESCRIPTION		PART NO.
(A)	Top Panel	1	1872-01
(B)	Front Leg Frame	1	1872-02
(C)	Side Panel	2	1872-03
(D)	Back Panel	1	1872-04
(E)	Rear Leg	2	1872-05
(F)	Bottom Shelf	1	1872-06
(G)	Inner Shelf	1	1872-07
(H)	Door Handle	2	1872-08
(I)	Plastic Bushing	4	1872-32
(J)	Left Door Panel	1	1872-09
(K)	Right Door Panel	1	1872-10
(L)	Screw	26	1872-23
(M)	Caster Insert	4	1872-22
(N)	Caster without Brake	2	1874-25
(O)	Caster with Brake	2	1874-24

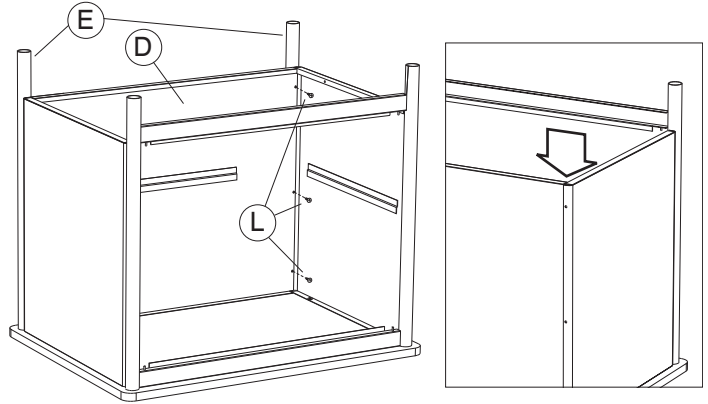
**TOOLS REQUIRED: Phillips Screwdriver,
Hammer or Rubber Mallet**



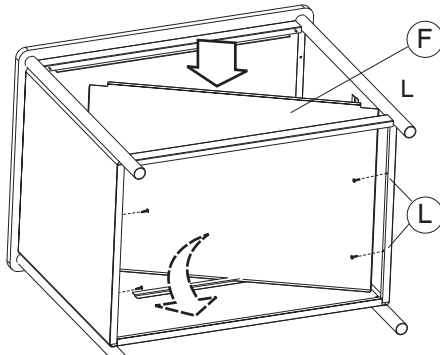
- 1** Work on a smooth, clean surface. Place the **(A)** Top Panel face down with the holes up. Position one **(C)** Side Panel on one end of the Top Panel with the flanges toward the center of the unit. Fasten the Side Panel to the Top Panel with two **(L)** Screws. Attach the **(B)** Front Leg Frame to the Side Panel using **(L)** Screws. Attach the other **(C)** Side Panel in the same manner.



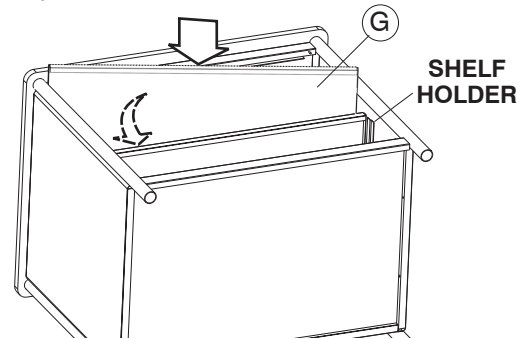
- 2** Slide the **(D)** Back Panel into position between the Side Panels as shown in the inset. Keep the Back Panel inside the flanges on the Side Panels. Fasten the Side Panel and Back Panel to each **(E)** Rear Leg using three **(L)** Screws from the interior.



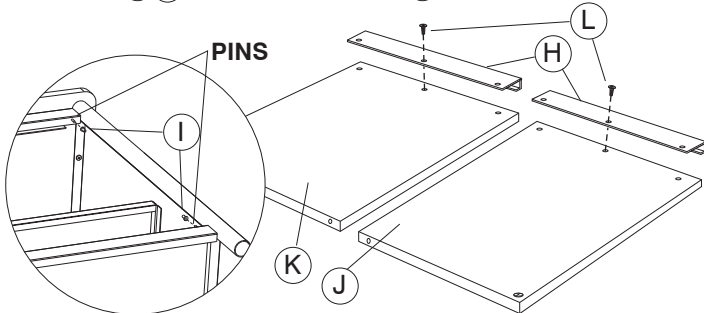
- 3** Slide the **(F)** Bottom Shelf into the unit between the Side Panels, with the flanges toward the bottom end of the unit. Slide the flanges of the shelf into the lower flanges on the Side Panels and Back Panel. Fasten the Bottom Shelf to each Side Panel using two Screws per side.



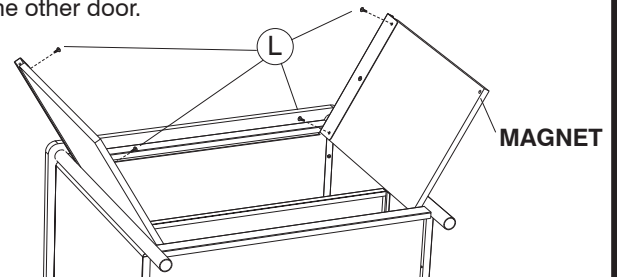
- 4** Slide the **(G)** Inner Shelf into the unit between the Side Panels, with the flanges toward the bottom end of the unit. Slide the flanges of the shelf into the shelf holders on the Side Panels and Back Panel.



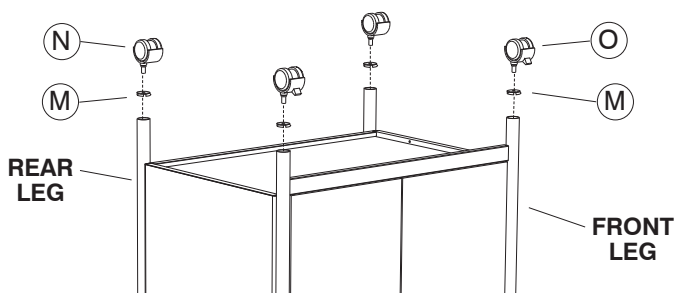
- 5** Slide the four **(I)** Plastic Bushings onto the pins on each side of the Front Leg Frame. Loosely fasten the **(H)** Door Handles to the **(J, K)** Door Panels with one **(L)** screw in each center hole.



- 6** Position one Door Panel with the magnetic insert upward as shown. Slide bottom hole in the door onto one Plastic Bushing; tilt the Door Handle and slide it onto the upper Bushing. Fasten the handle to the door using two more Screws. Repeat for the other door.



- 7** Use a hammer or mallet to tap one **(M)** Caster Insert into each of the four legs. Push the stems of the **(N)** Casters without Brakes into the caster inserts in the Rear Legs. Push the **(O)** Casters with Brakes into the inserts in the Front Legs.



- 8** Carefully turn the completed unit upright. To align the doors, slightly loosen the screws in the handle, adjust, and re-tighten the screws.

