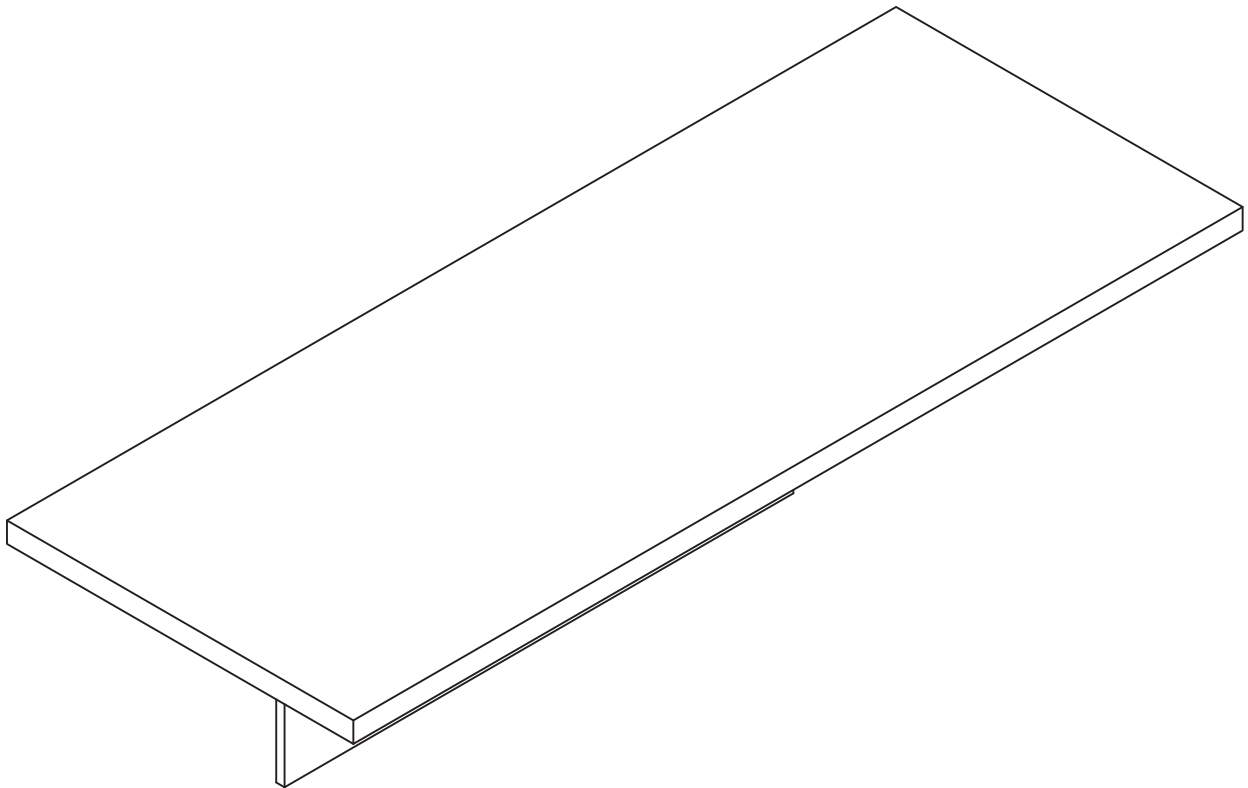


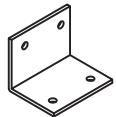
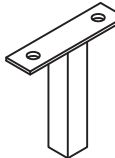
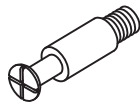


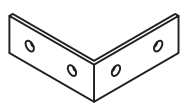




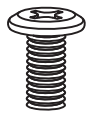

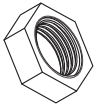

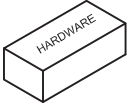
Mirella Series
Desk Top
Model No. MRDT7236 & MRDT6636
& MRDT7230 & MRDT6630



For questions or concerns, please call 1-888-971-6225 available
Monday-Friday 7:30 AM to 5:00 PM (Central Time)
(English-speaking operators)

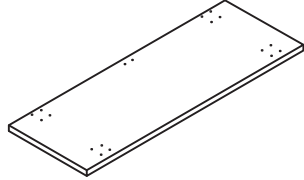
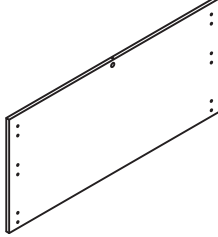
PARTS LIST

Name	Part	Qty.	Spare Qty
A	 50*30*2mm	4	
B	 60*20*73mm	1	
C	 Cam Post	1	
D	 Cam Lock	1	
E	 Cam Sticker	1	1
F	 100*100*38*4mm	4	
G	 M4*14mm	32	2

Name	Part	Qty.	Spare Qty
H	 M6*15mm	2	1
I	 M6*15mm	16	1
J	 M6*35mm	4	
K	 M6 Nut	4	
L	 wrench	1	
	 MRDTHB		

Items with HB are in hardware box.

PARTS LIST

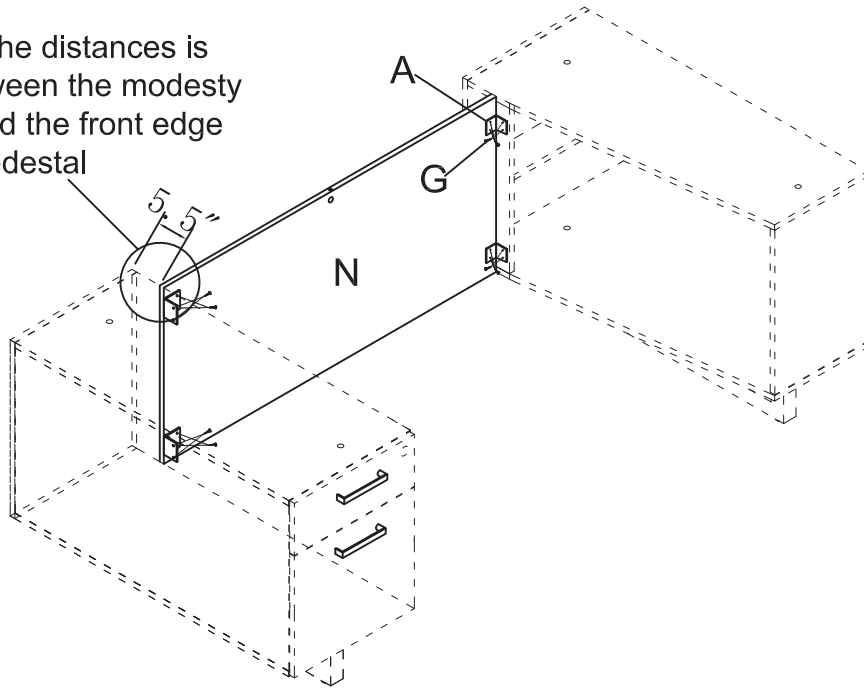
Name	Part	Qty.	Name	Part	Qty.
M	 Top Panel	1	N	 Modesty Panel	1

IMPORTANT!

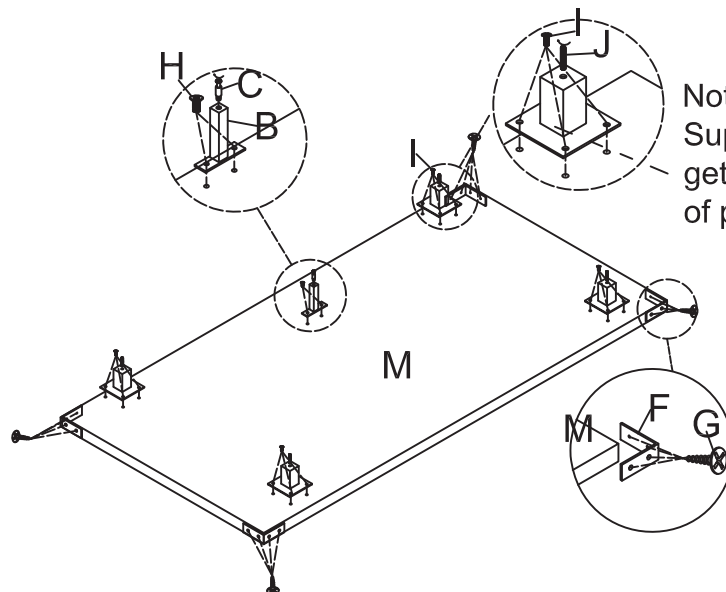
Review ALL instructions before beginning assembly. These instructions are provided to avoid problems that may occur from improper assembly or installation. SAFCO and/or its distributor are not responsible for failure resulting from improper assembly or installation of this product. Moreover, all warranties are void for failure to follow these assembly instructions.

- 1** Use the Screw (G) to attach the Bracket (A) to connect the Pedestal and the Modesty Panel (N);

Notes: The distances is 5.5" between the modesty panel and the front edge of the pedestal



- 2** Use the Screw (G) to install the L Bracket (F) to the edge front of the Top Panel (M), Insert the Cam Post (C) to the T Rectangle Support Part (B), Use the Screw (H) to install the T Rectangle Support Part (B) to the middle edge of the Top Panel (M), Use the Screw (I) to install the T Square Support Part to the Top Panel (M), then lock the screw (J) in the T Square Support Part;



Notes: The T Square Support Parts , please get them from the carton of pedestals;

- 3** Put the Top Panel (M) on the Pedestal, (Make sure the T Square Support Part can be through the cutout on the top of the Pedestal; Use the Wrench (L) to lock the Nut (K) ; Lock the Cam Lock (D) on the Modesty Panel (N), Attach the Cam Sticker (E) to Cams;

