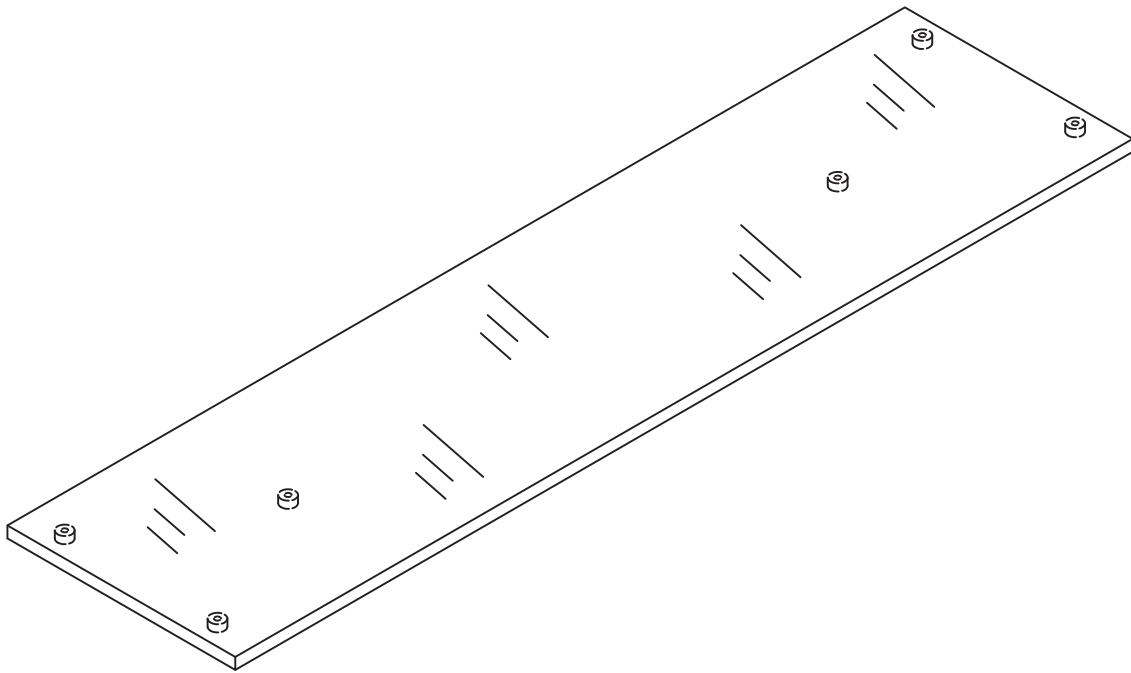




Mirella Series
Reception Desk Counter Top Glass
Model No. MRRDC48



For questions or concerns, please call 1-888-971-6225 available
Monday-Friday 7:30 AM to 5:00 PM (Central Time)
(English-speaking operators)

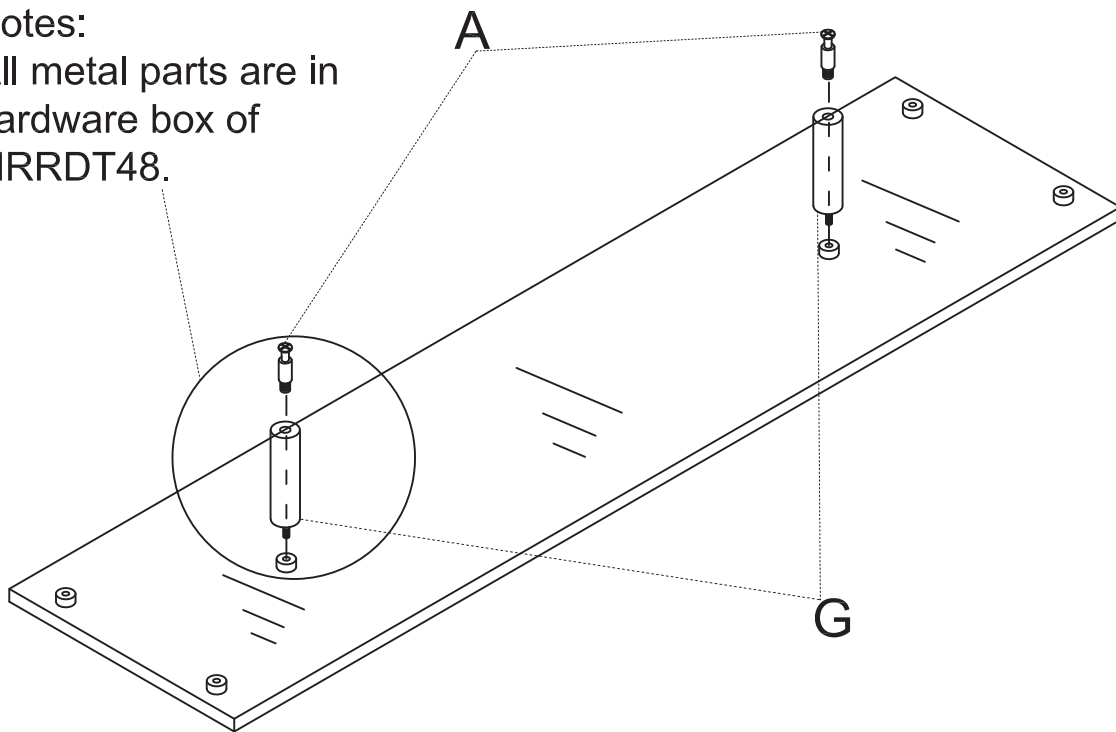
IMPORTANT!

Review ALL instructions before beginning assembly. These instructions are provided to avoid problems that may occur from improper assembly or installation. SAFCO and/or its distributor are not responsible for failure resulting from improper assembly or installation of this product. Moreover, all warranties are void for failure to follow these assembly instructions.

- 1 Insert the Cam Post (A) to the Top Spacer (G), Install the Top Spacer (G) to the Glass Top;

Notes:

All metal parts are in hardware box of MRRDT48.



- 2** Fasten the Cam Lock (C) on the Back Panel (K), Use the Screws (J & H) and L Bracket (I) to connect the Pedestal and Top Glass, Attach the Cam Sticker to cams.

Notes: All metal parts are in hardware box of MRRD48.

