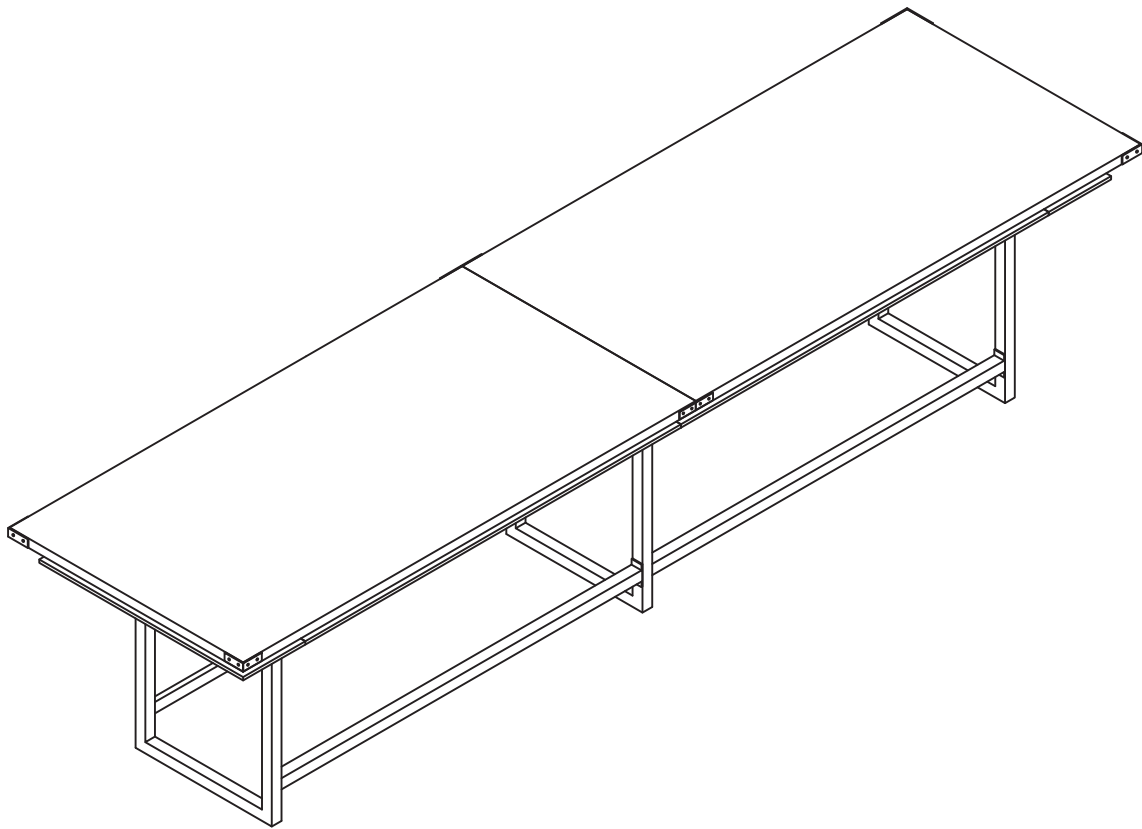


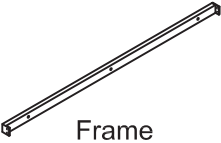
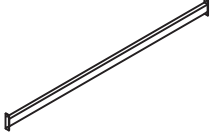

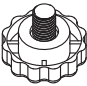
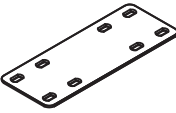
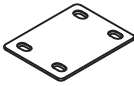
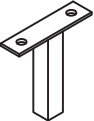
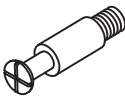








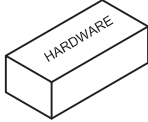
Mirella Series
144" & 168" 1/2 Standing Conference Table
Model No. MRCH72T & MRCH84T



For questions or concerns, please call 1-888-971-6225 available
Monday-Friday 7:30 AM to 5:00 PM (Central Time)
(English-speaking operators)

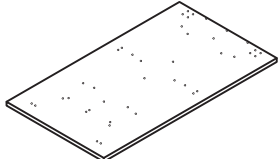
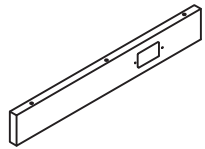
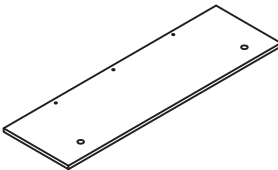
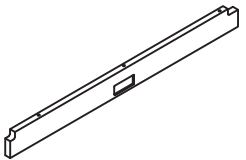
PARTS LIST

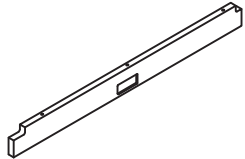
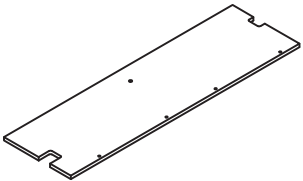
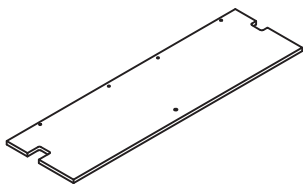
| Name | Part | Qty. | Spare Qty |
|------|---|------|-----------|
| A |  Frame | 4 | |
| B |  Foot Rest | 2 | |
| C |  Stand-off Ø20x76 | 4 | |
| D |  Leveler | 4 | |
| E |  260*100*3mm | 1 | |
| F |  60*50*3mm | 3 | |
| G |  60*20*100mm | 4 | |
| H |  Cam Post | 20 | 1 |

| Name | Part | Qty. | Spare Qty |
|------|---|------|-----------|
| I |  Cam Lock | 20 | 1 |
| J |  Cam Sticker | 20 | 2 |
| K |  M6*15mm | 16 | 1 |
| L |  M4*16mm | 12 | 1 |
| M |  M6*35mm | 10 | 1 |
| N |  570mm | 2 | |
| |  MRCH72-84THB | | |

Items with HB are in hardware box.

PARTS LIST

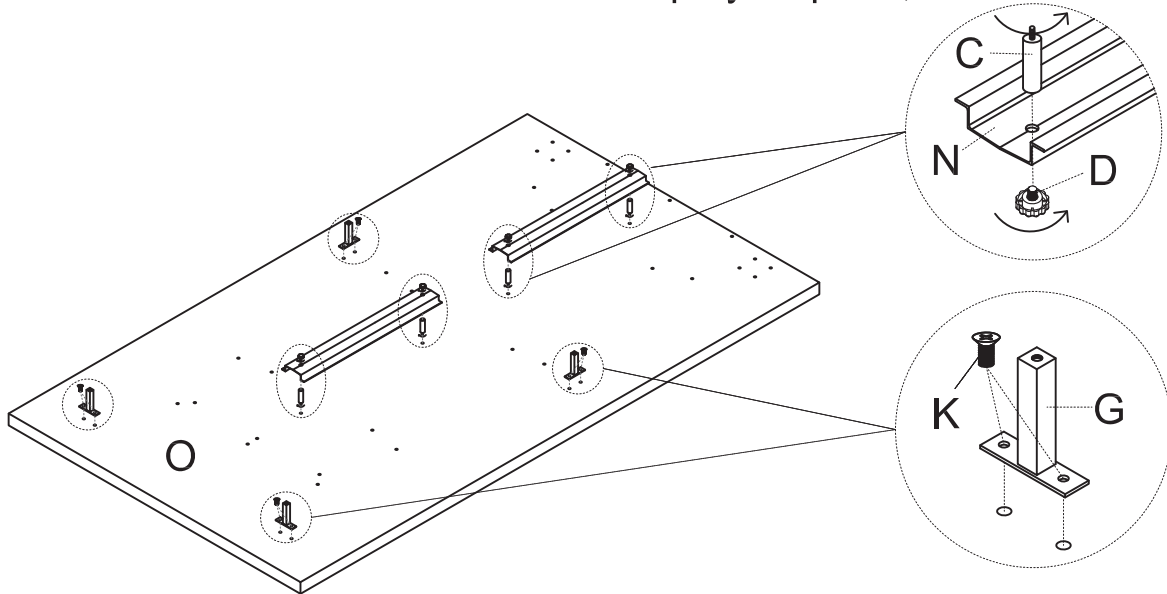
| Name | Part | Qty. |
|------|---|------|
| O |  Top Panel | 1 |
| P |  Short Modesty Panel | 1 |
| Q |  Short Fixed Shelf | 1 |
| R |  Long Modesty Panel | 1 |

| Name | Part | Qty. |
|------|---|------|
| S |  Long Modesty Panel | 1 |
| T |  Long Fixed Shelf | 1 |
| U |  Long Fixed Shelf | 1 |

IMPORTANT!

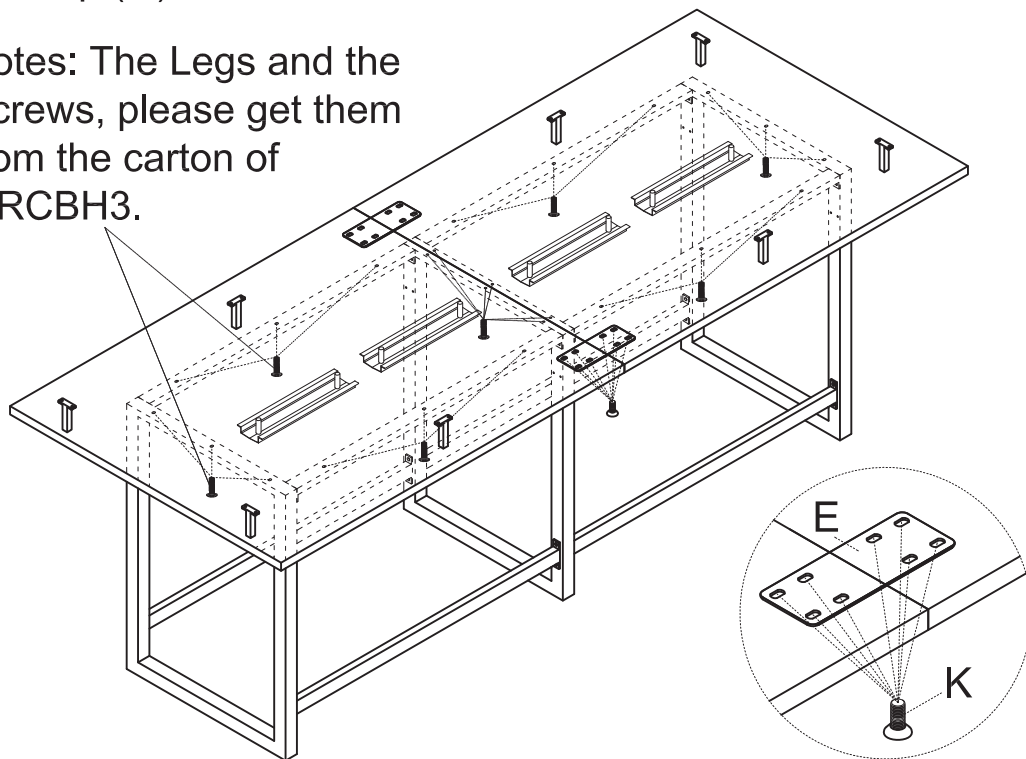
Review ALL instructions before beginning assembly. These instructions are provided to avoid problems that may occur from improper assembly or installation. SAFCO and/or its distributor are not responsible for failure resulting from improper assembly or installation of this product. Moreover, all warranties are void for failure to follow these assembly instructions.

- 1** Install the T Support (G) and the Stand-off (C) to the Top (O),
Use the Levelers (D) to install the Wire Management Tray (N)
to the Stand-off (C);
Please assemble the other 1/2 Top by step 1-6;

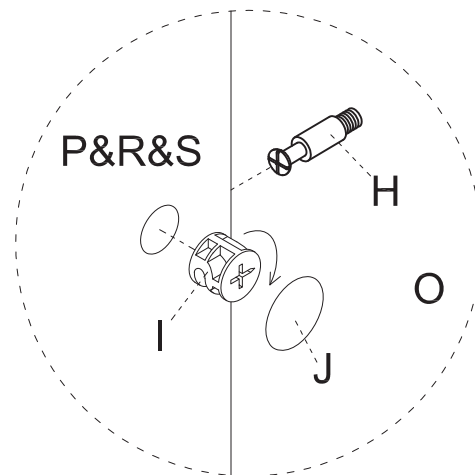
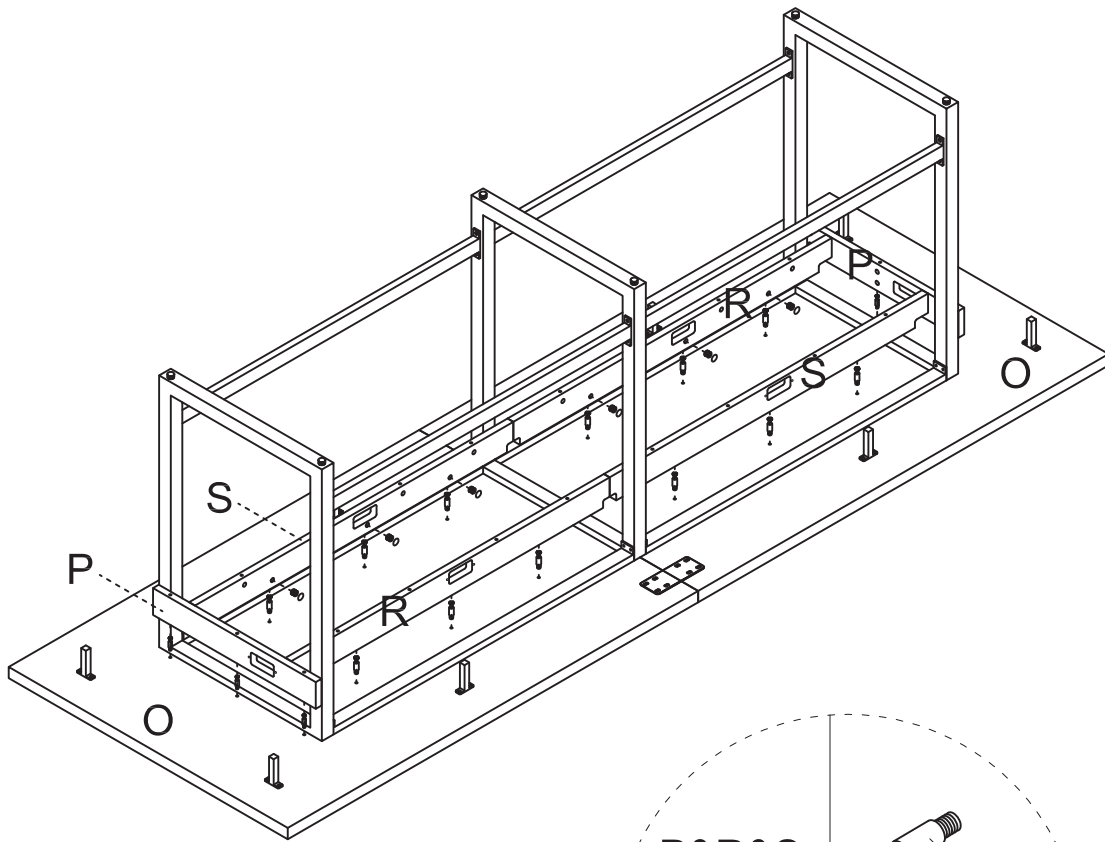


- 2** Use the Screw to connect the Legs and the Frame (A) to the
Top (O). Use the Screw (K) to connect the Metal Plate (E) with
the Top (O);

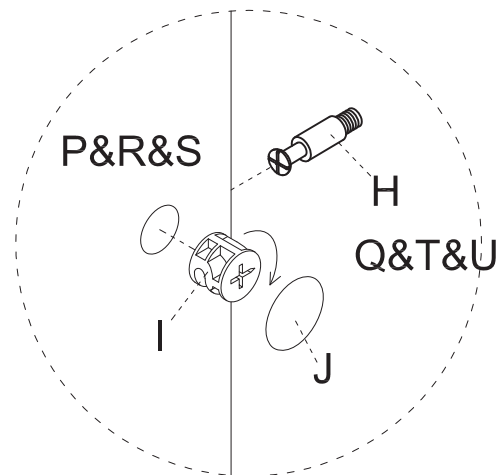
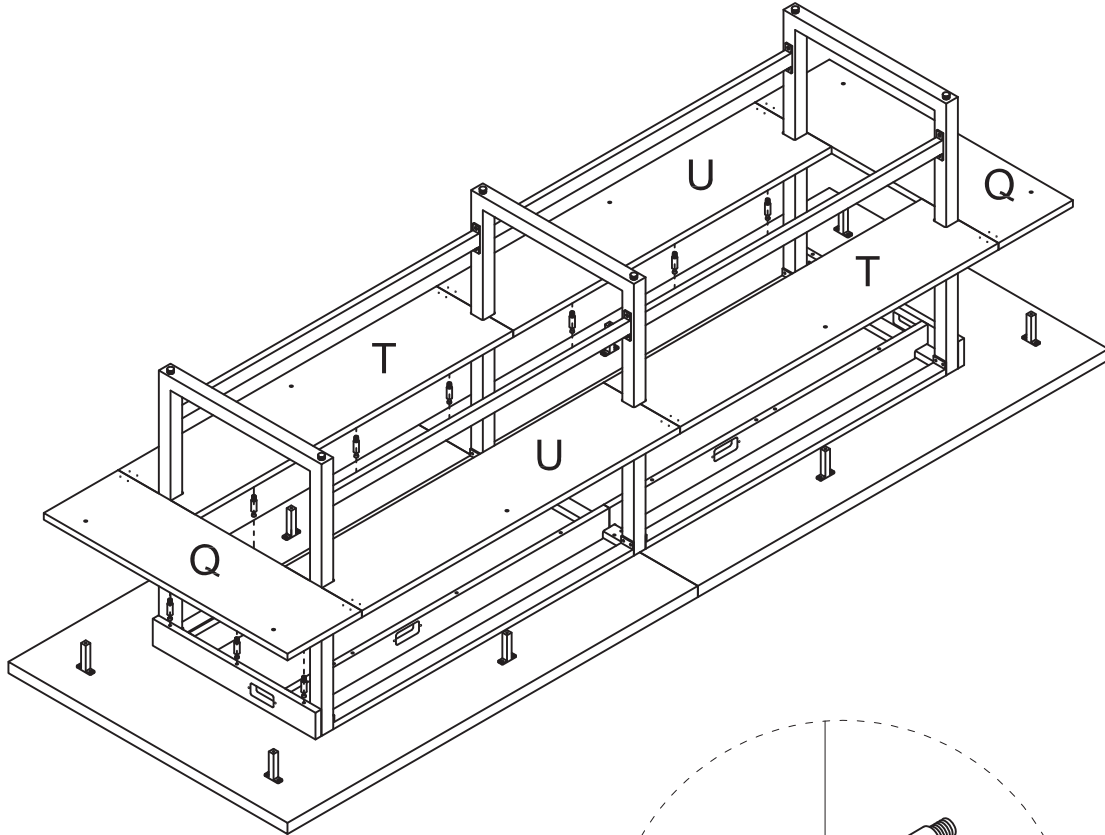
Notes: The Legs and the
Screws, please get them
from the carton of
MRCBH3.



- ③ Insert the Cam Post (H) to the Top Panel (O), Install the Cam Lock (I) on the Modesty Panel (P&R&S), Fasten the Cam Lock , Attach the Cam Sticker (J) to the cams;

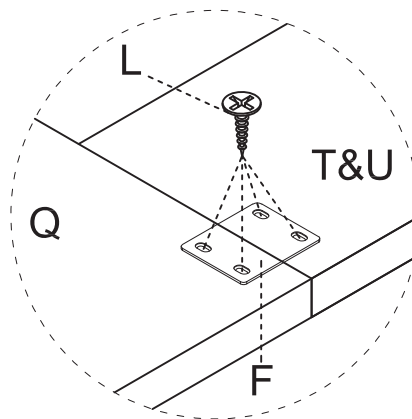
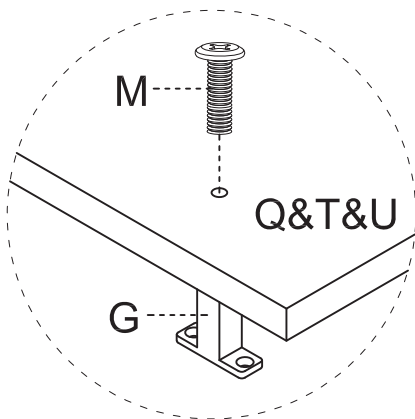
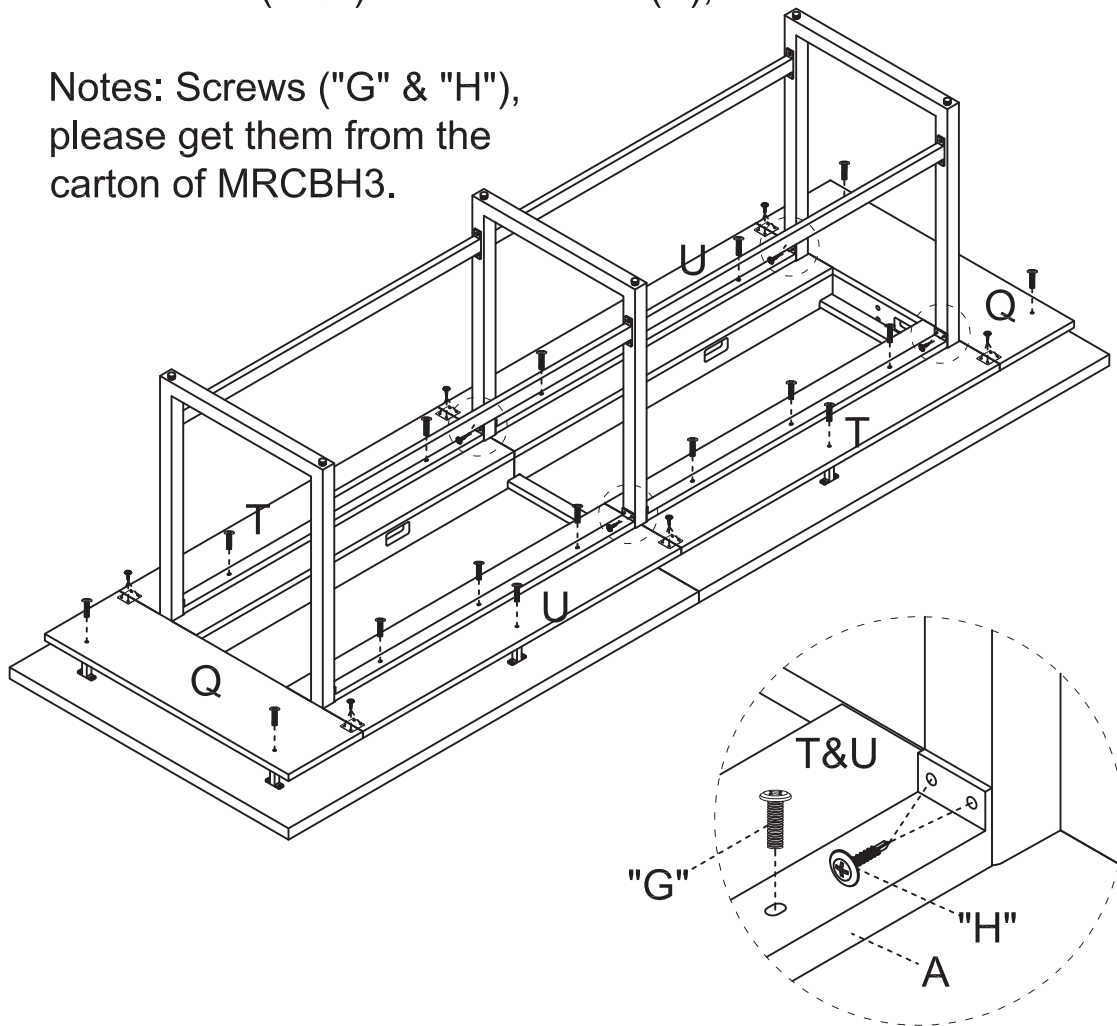


- ④ Insert the Cam Post (H) to the Fixed Shelf (Q&T&U), Install the Cam Lock (I) on the Modesty Panel (P&R&S), Fasten the Cam Lock , Attach the Cam Sticker (J) to the cams;

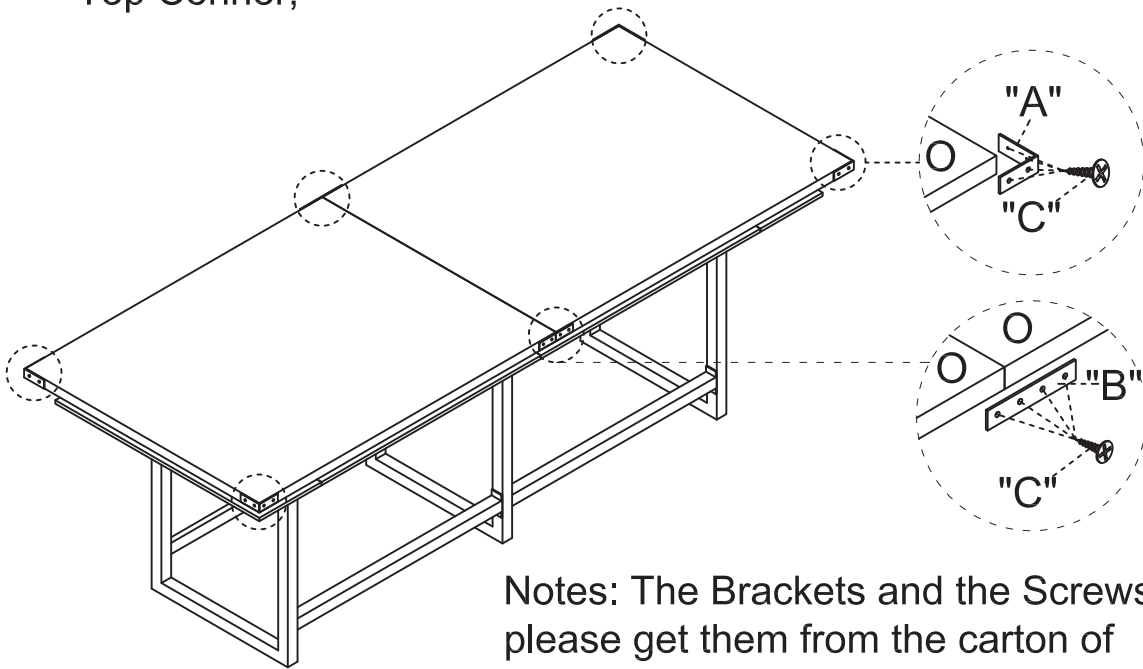


- 5 Use the Screw (M) to connect the T Support (G) and the Fixed Shelf (Q&T&U); Use the Screw (L) to connect the Metal Plate (F) and the Fixed Shelf (Q&T&U); Use the Screw ("H") to connect the Leg and the Frame (A); Use the Screw ("G") to connect the Fixed Shelf (T&U) and the Frame (A);

Notes: Screws ("G" & "H"), please get them from the carton of MRCBH3.

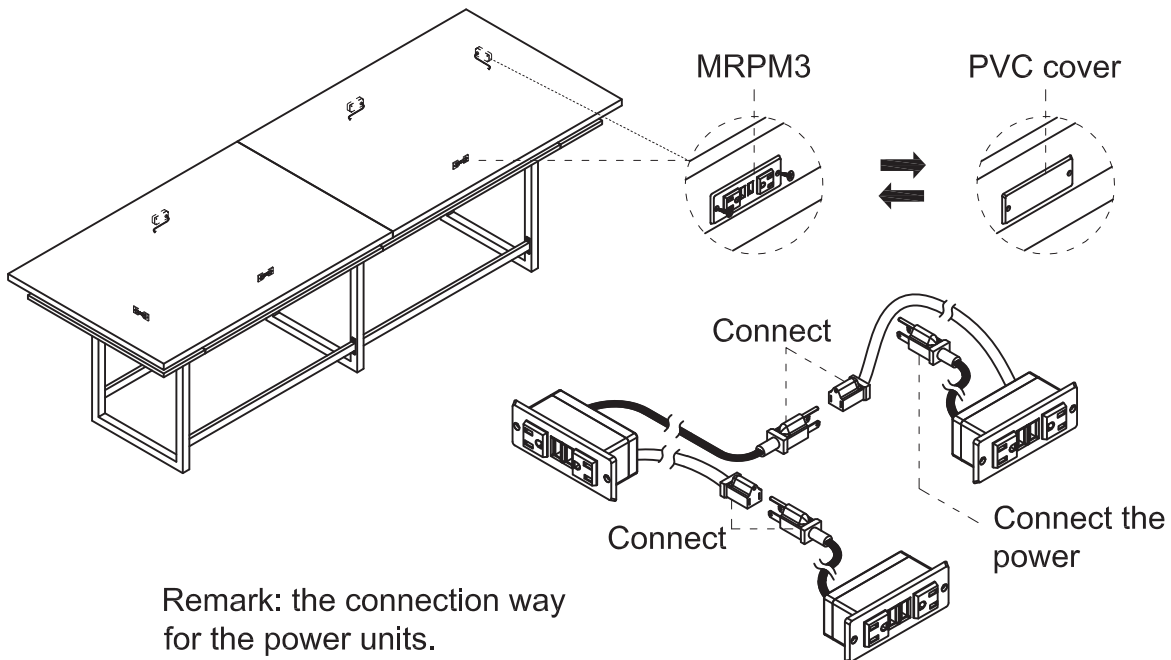


- ⑥ Use the Screw ("C") to connect the Bracket ("A" & "B") to the Top Conner;



Notes: The Brackets and the Screws, please get them from the carton of MRCBH3.

- ⑦ Remove the PVC cover, then use Screw to install the power unit (MRPM3) to the cutout if you chose the Power Unit; (The power unit is optional part, if you did not choose the power unit, please ignore this step)



Remark: the connection way for the power units.