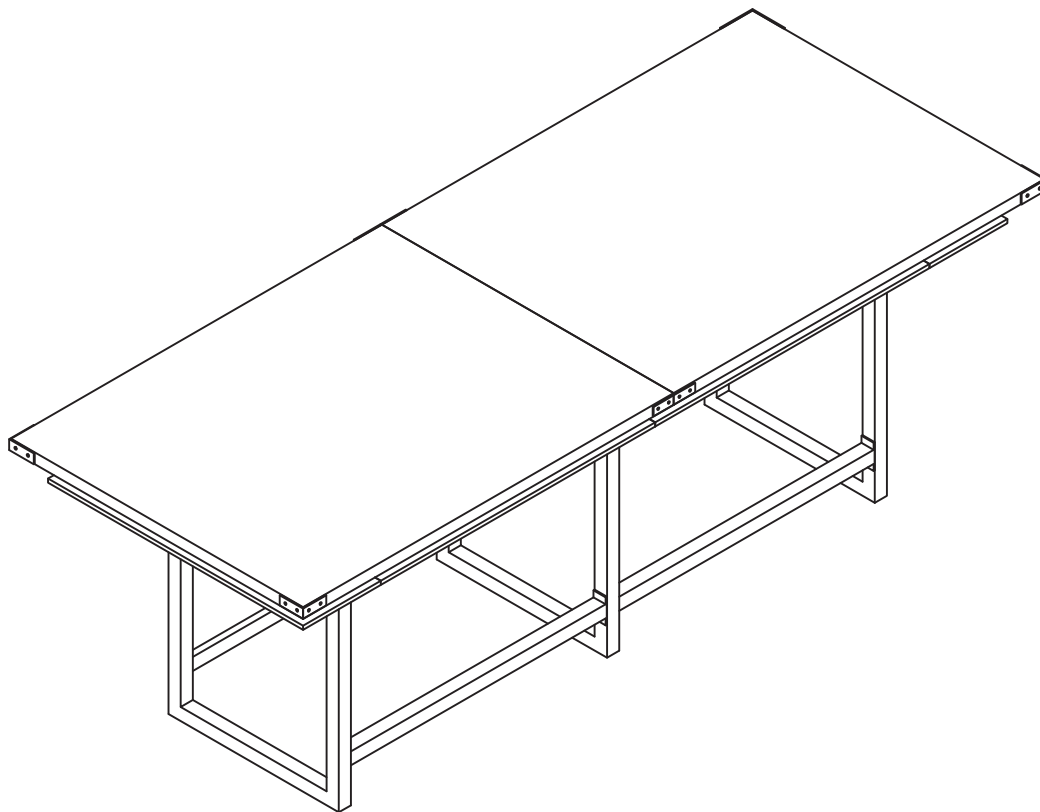


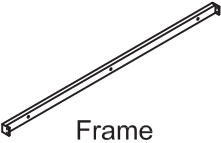
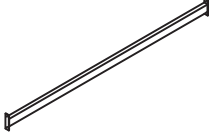

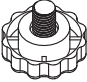
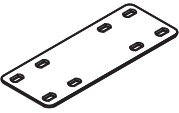
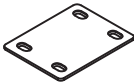
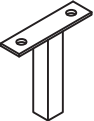
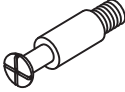







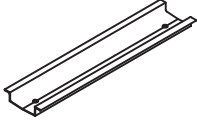
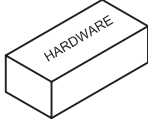
Mirella Series
120" 1/2 Standing Conference Table
Model No. MRCH60T



For questions or concerns, please call 1-888-971-6225 available
Monday-Friday 7:30 AM to 5:00 PM (Central Time)
(English-speaking operators)

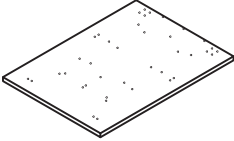
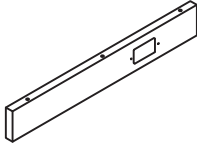
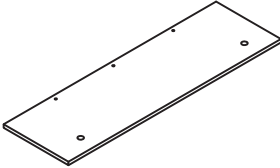
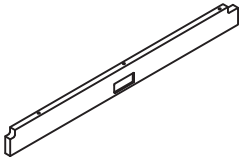
PARTS LIST

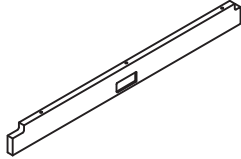
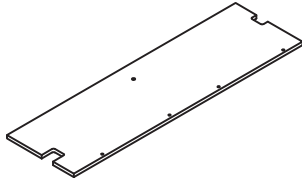
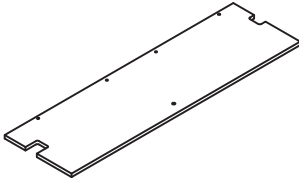
Name	Part	Qty.	Spare Qty
A	 Frame	4	
B	 Foot Rest	2	
C	 Stand-off Ø20x76	2	
D	 Leveler	2	
E	 260*100*3mm	1	
F	 60*50*3mm	3	
G	 60*20*100mm	4	
H	 Cam Post	20	1

Name	Part	Qty.	Spare Qty
I	 Cam Lock	20	1
J	 Cam Sticker	20	2
K	 M6*15mm	16	1
L	 M4*16mm	12	1
M	 M6*35mm	10	1
N	 870mm	1	
	 MRCH60THB		

Items with HB are in hardware box.

PARTS LIST

Name	Part	Qty.
O	 Top Panel	1
P	 Short Modesty Panel	1
Q	 Short Fixed Shelf	1
R	 Long Modesty Panel	1

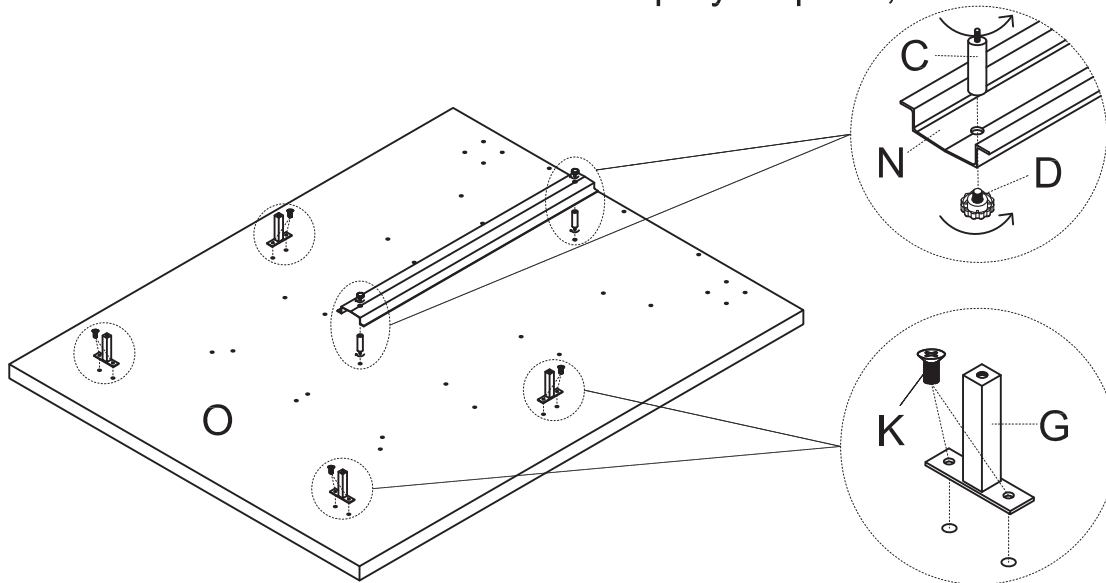
Name	Part	Qty.
S	 Long Modesty Panel	1
T	 Long Fixed Shelf	1
U	 Long Fixed Shelf	1

IMPORTANT!

Review ALL instructions before beginning assembly. These instructions are provided to avoid problems that may occur from improper assembly or installation. SAFCO and/or its distributor are not responsible for failure resulting from improper assembly or installation of this product. Moreover, all warranties are void for failure to follow these assembly instructions.

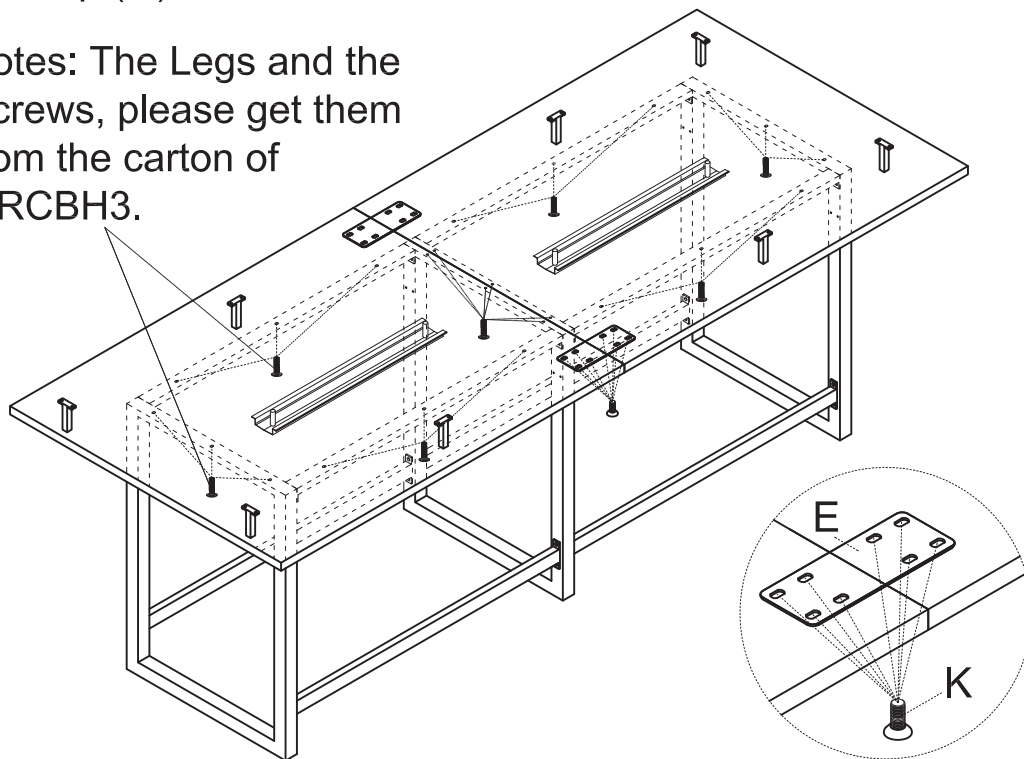
- 1** Install the T Support (G) and the Stand-off (C) to the Top (O), Use the Levelers (D) to install the Wire Management Tray (N) to the Stand-off (C);

Please assemble the other 1/2 Top by step 1-6;

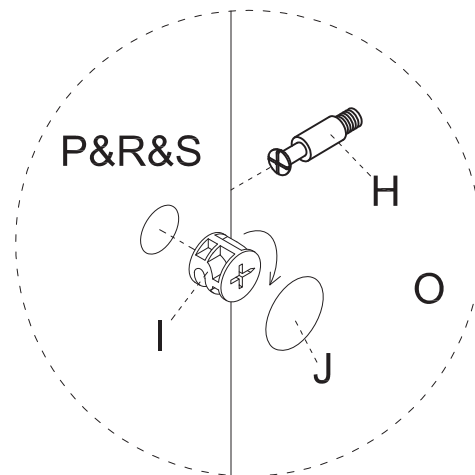
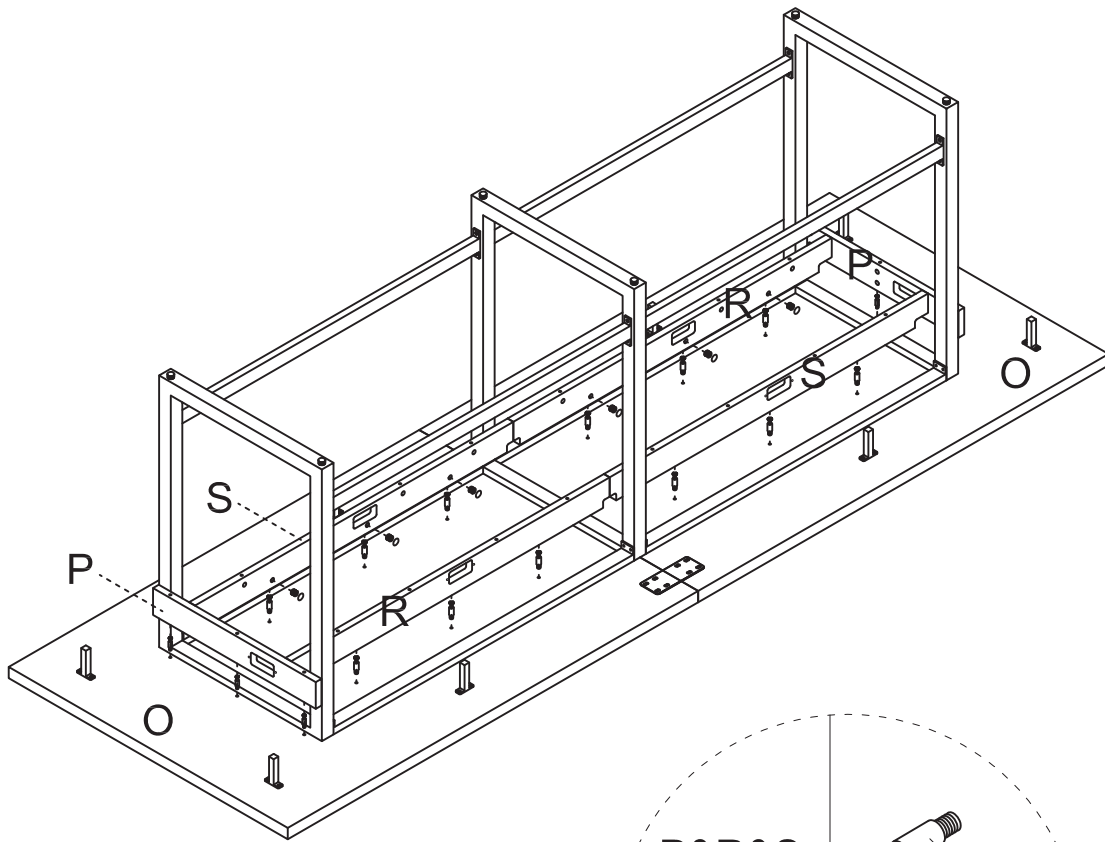


- 2** Use the Screw to connect the Legs and the Frame (A) to the Top (O). Use the Screw (K) to connect the Metal Plate (E) with the Top (O);

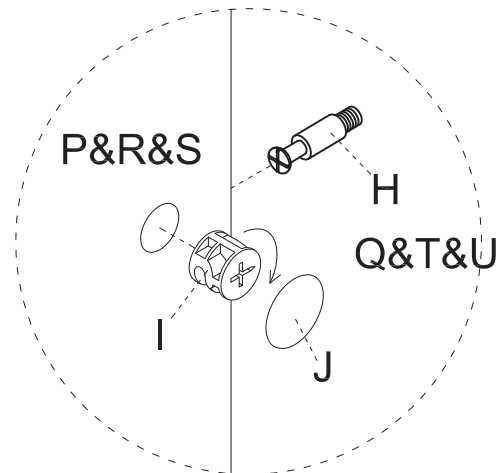
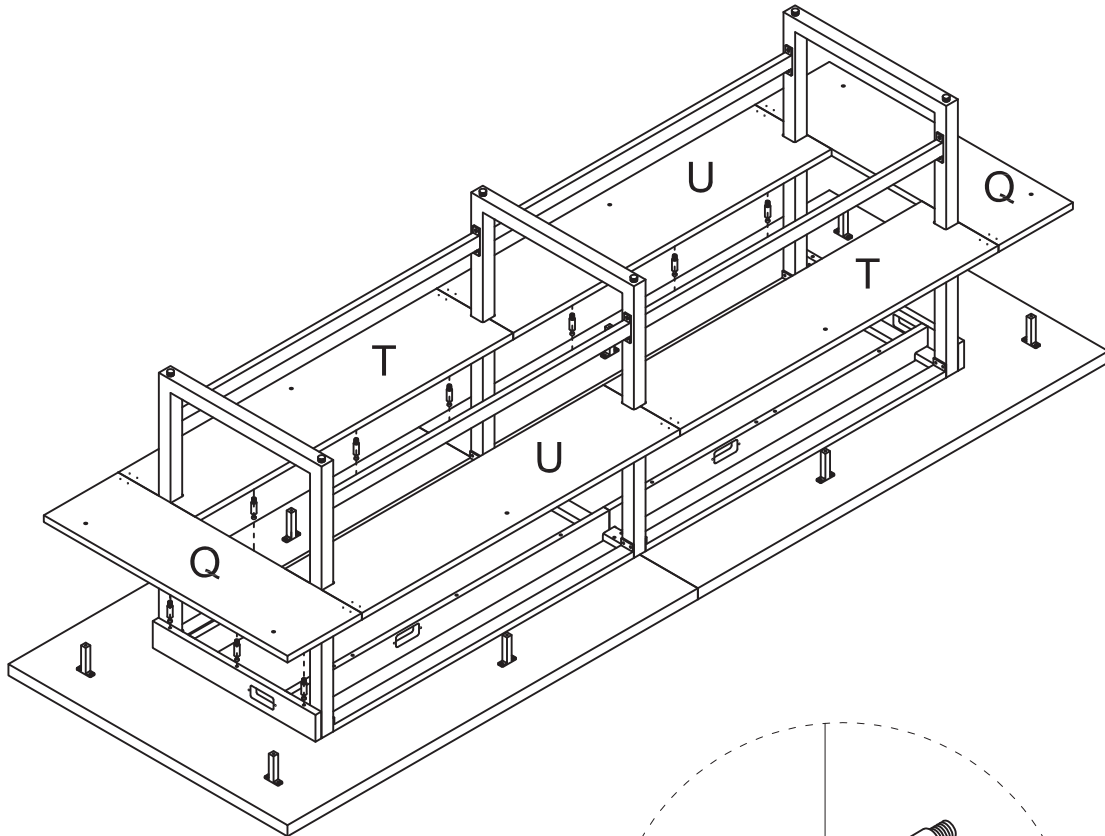
Notes: The Legs and the Screws, please get them from the carton of MRCBH3.



- ③ Insert the Cam Post (H) to the Top Panel (O), Install the Cam Lock (I) on the Modesty Panel (P&R&S), Fasten the Cam Lock , Attach the Cam Sticker (J) to the cams;

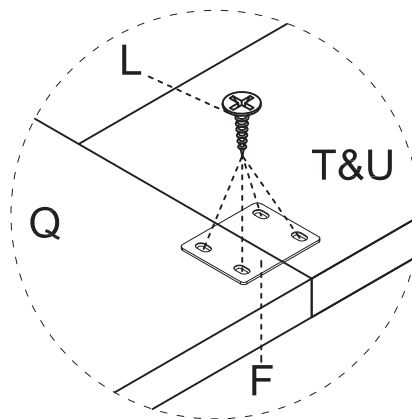
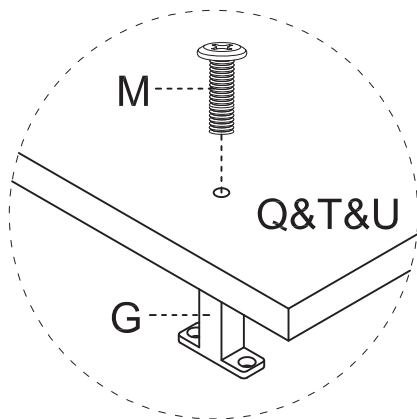
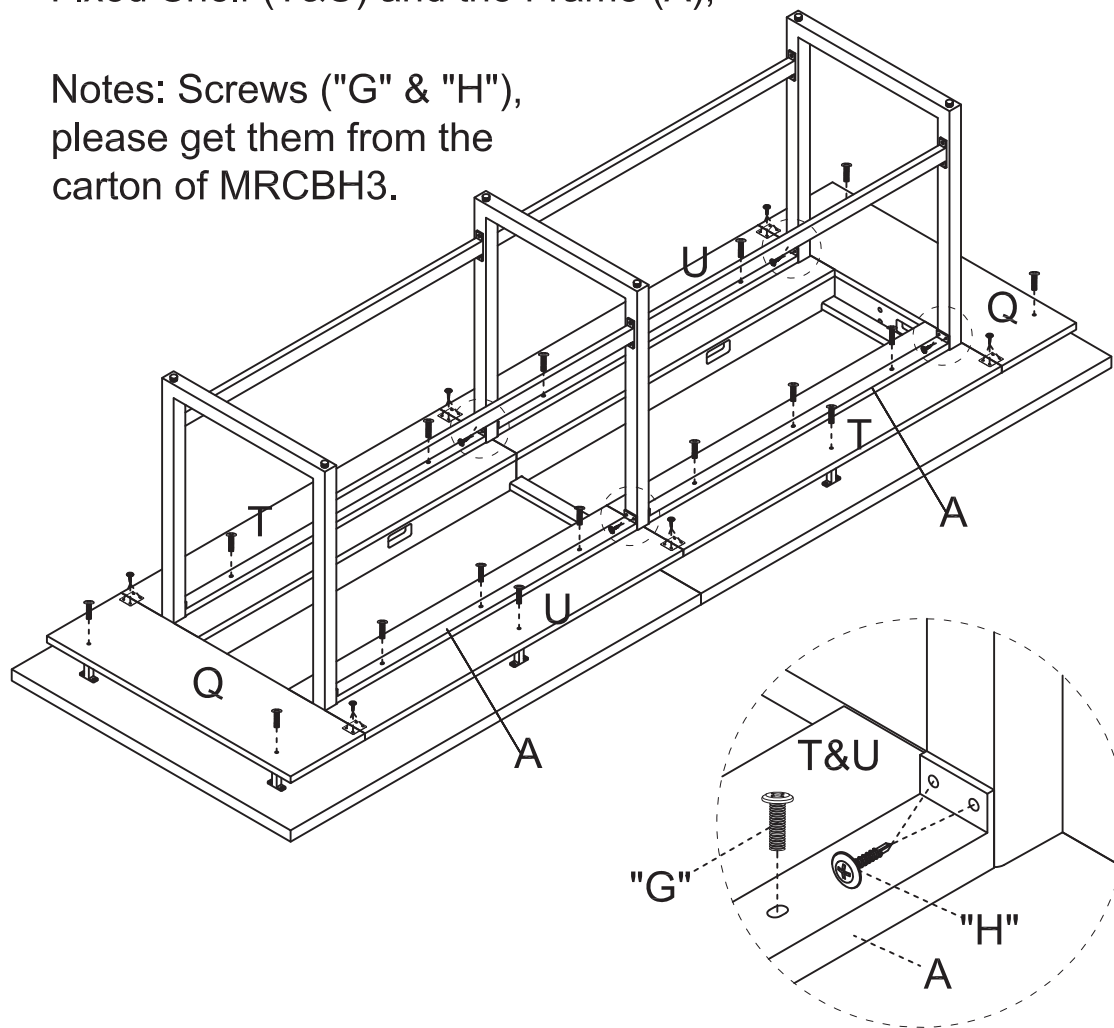


- ④ Insert the Cam Post (H) to the Fixed Shelf (Q&T&U), Install the Cam Lock (I) on the Modesty Panel (P&R&S), Fasten the Cam Lock for Fixed Shelf (Q) first, then Fasten Cam Lock for Fixed Shelf (T&U), Attach the Cam Sticker (J) to the cams.

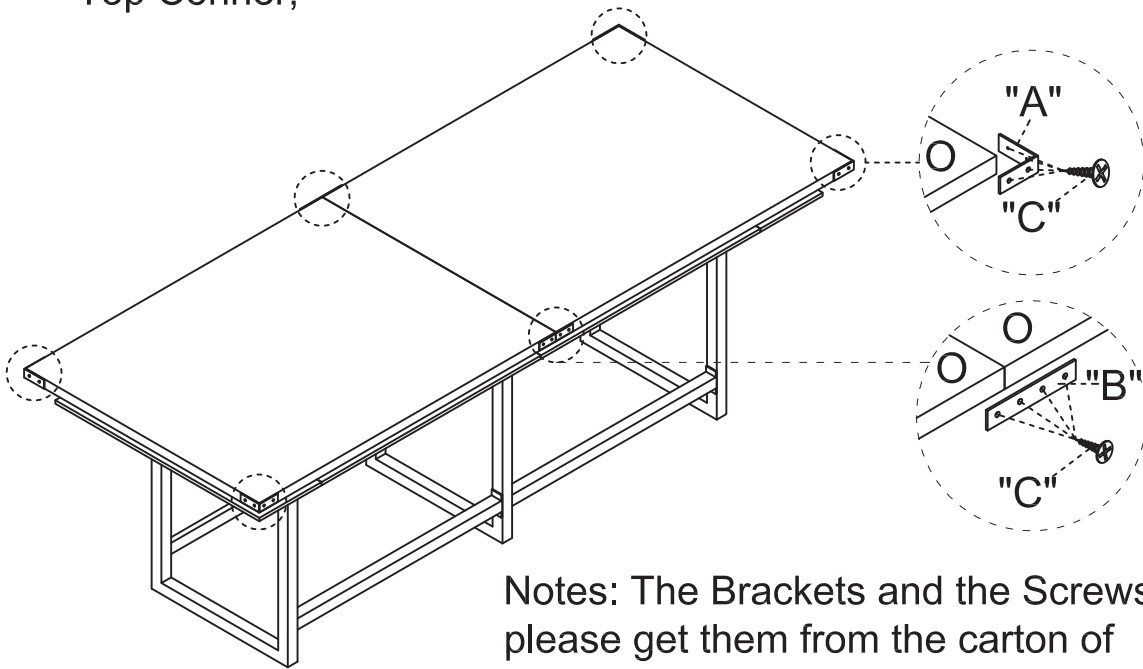


- 5 Use the Screw (M) to connect the T Support (G) and the Fixed Shelf (Q&T&U); Use the Screw (L) to connect the Metal Plate (F) and the Fixed Shelf (Q&T&U); Use the Screw ("H") to connect the Leg and the Frame (A); Use the Screw ("G") to connect the Fixed Shelf (T&U) and the Frame (A);

Notes: Screws ("G" & "H"), please get them from the carton of MRCBH3.

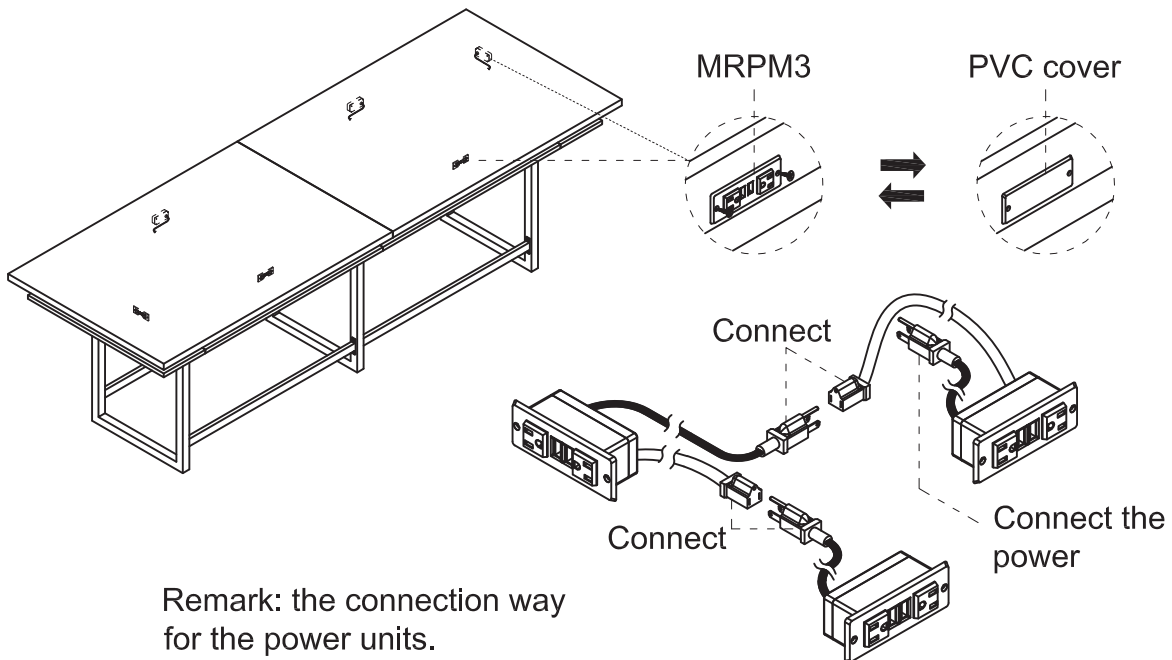


- ⑥ Use the Screw ("C") to connect the Bracket ("A" & "B") to the Top Conner;



Notes: The Brackets and the Screws, please get them from the carton of MRCBH3.

- ⑦ Remove the PVC cover, then use Screw to install the power unit (MRPM3) to the cutout if you chose the Power Unit; (The power unit is optional part, if you did not choose the power unit, please ignore this step)



Remark: the connection way for the power units.