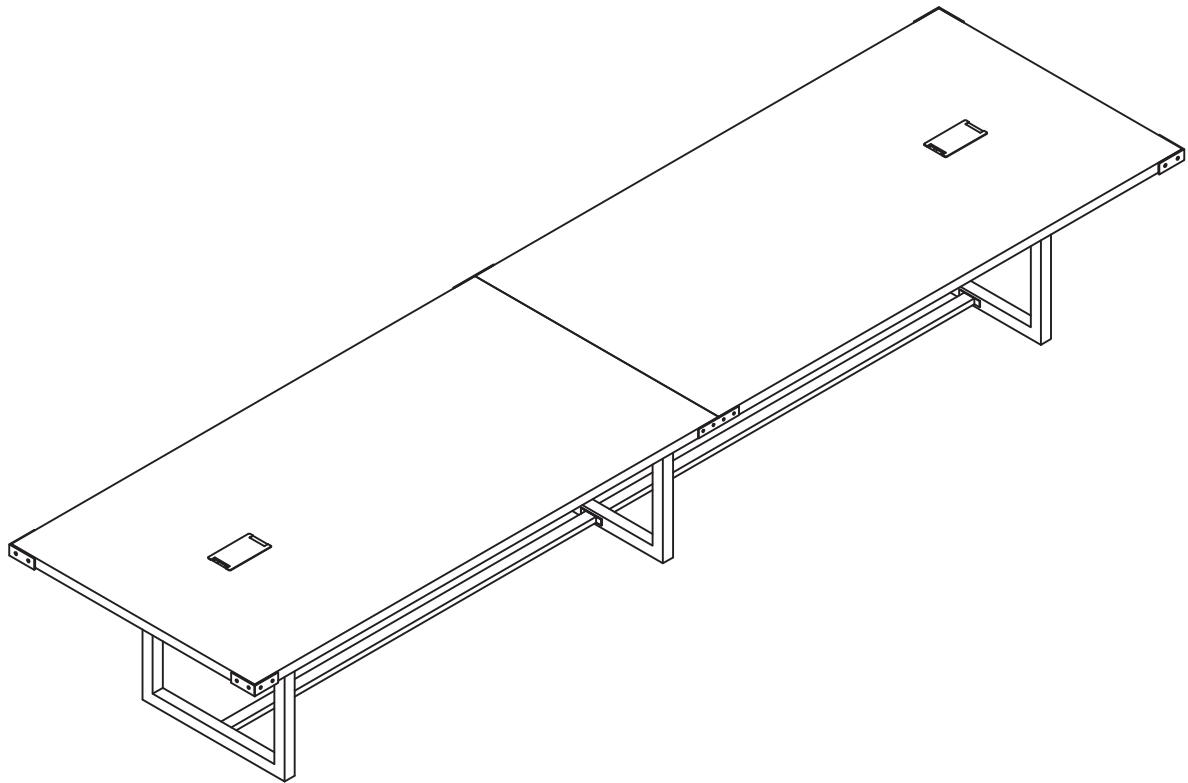


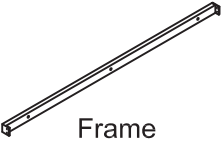
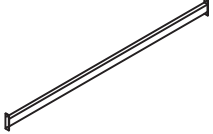

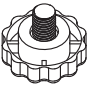
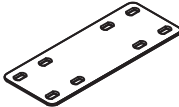
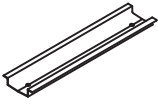


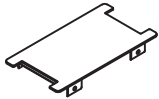


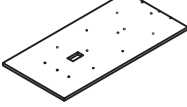
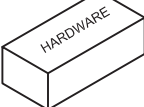
Mirella Series  
168" & 192" 1/2 Sitting Conference Table  
Model No. MRCS84T & MRCS96T



For questions or concerns, please call 1-888-971-6225 available  
Monday-Friday 7:30 AM to 5:00 PM (Central Time)  
(English-speaking operators)

# PARTS LIST

Name	Part	Qty.	Spare Qty
F	 Frame	2	
G	 Foot Rest	1	
H	 Stand-off Ø20x76	4	
I	 Leveler	4	
J	 260*100*3mm	1	
K	 570mm	2	

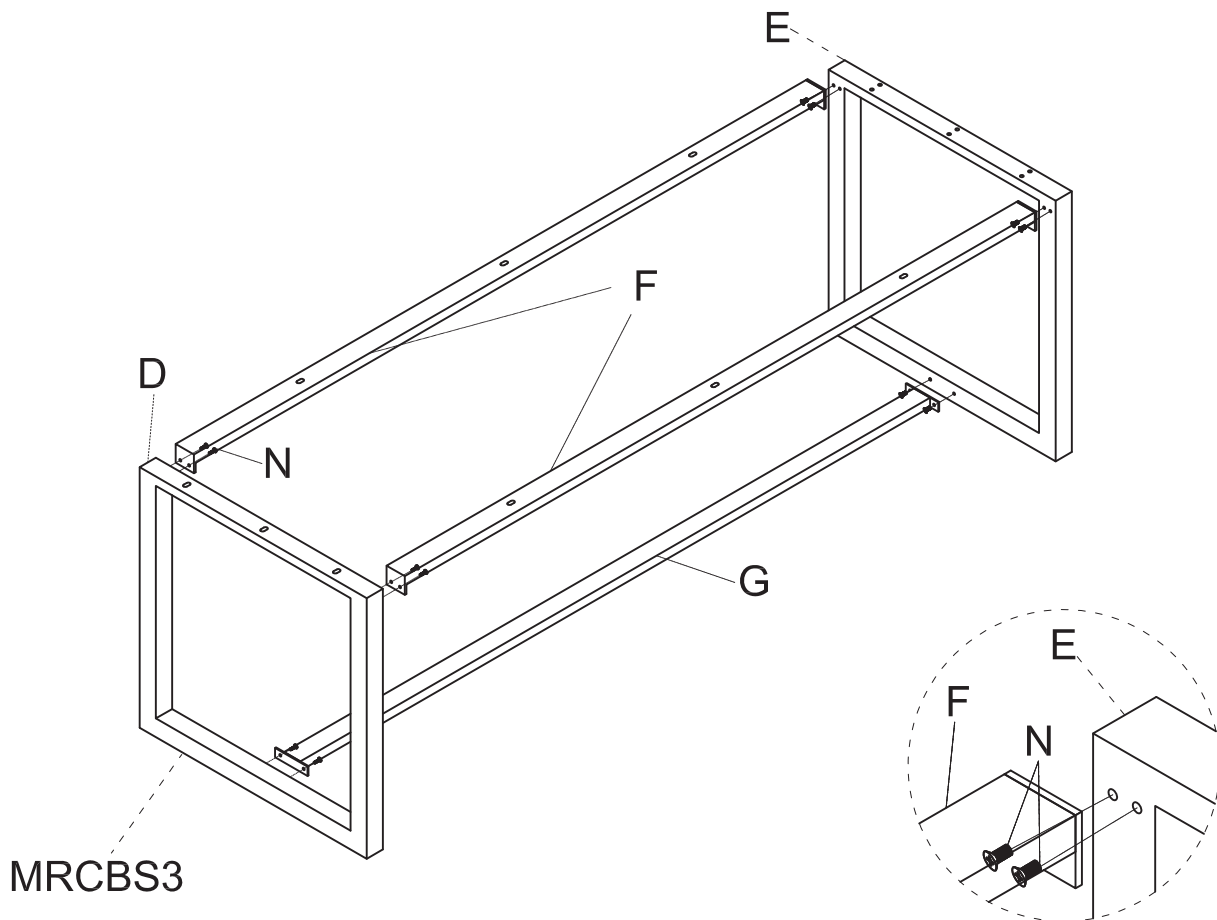
Name	Part	Qty.	Spare Qty
L	 Grommet	1	
M	 M6*35mm	12	1
N	 M6*15mm	20	1
O	 Top Panel	1	
	 MRCS84-96THB		

Items with HB are in hardware box.

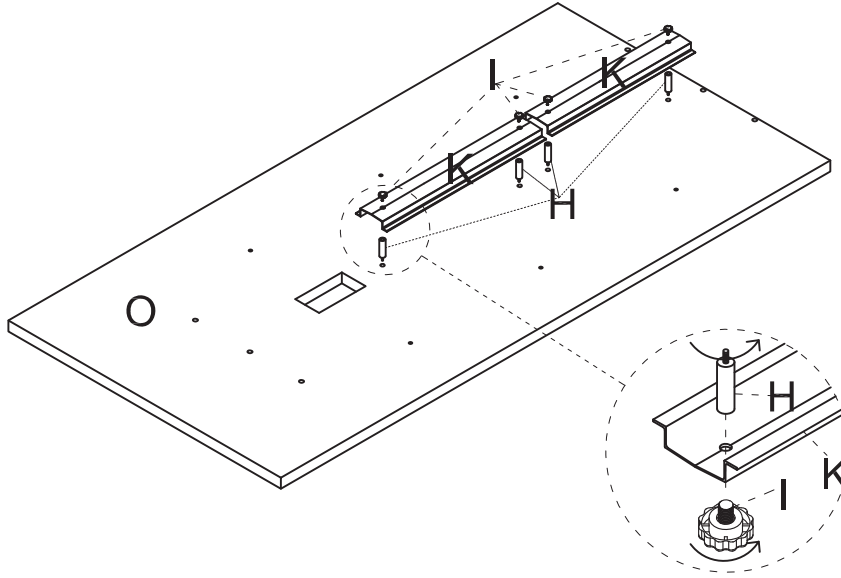
## IMPORTANT!

**Review ALL instructions before beginning assembly.** These instructions are provided to avoid problems that may occur from improper assembly or installation. SAFCO and/or its distributor are not responsible for failure resulting from improper assembly or installation of this product. Moreover, all warranties are void for failure to follow these assembly instructions.

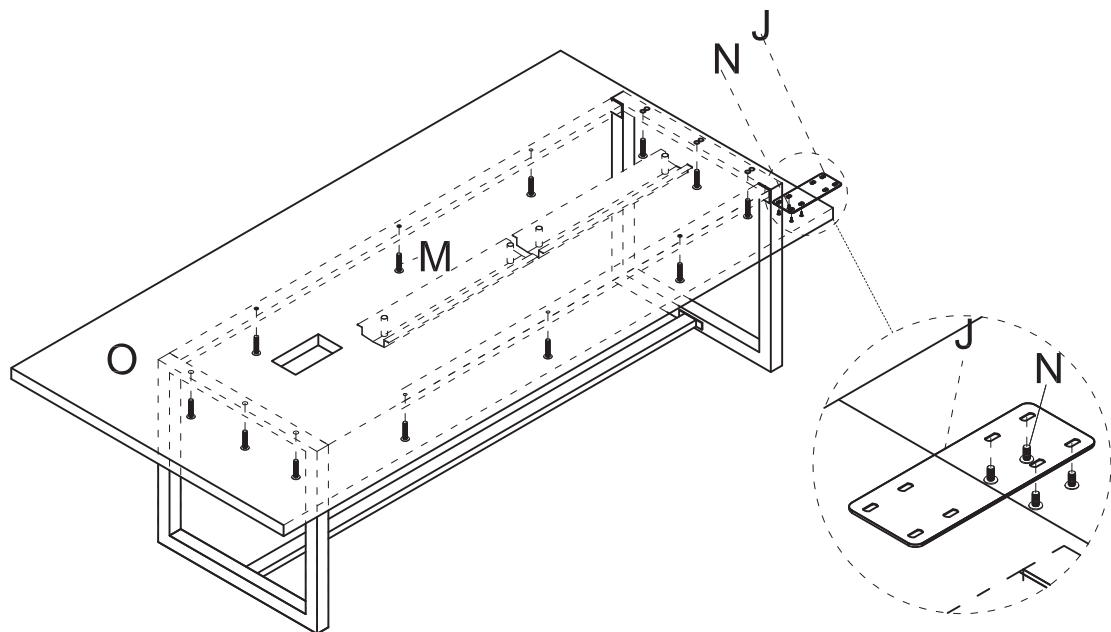
- 1 Use Screw (N) to connect Leg (D), Middle leg (E), Frame (F) and Foot Rest (G) together;



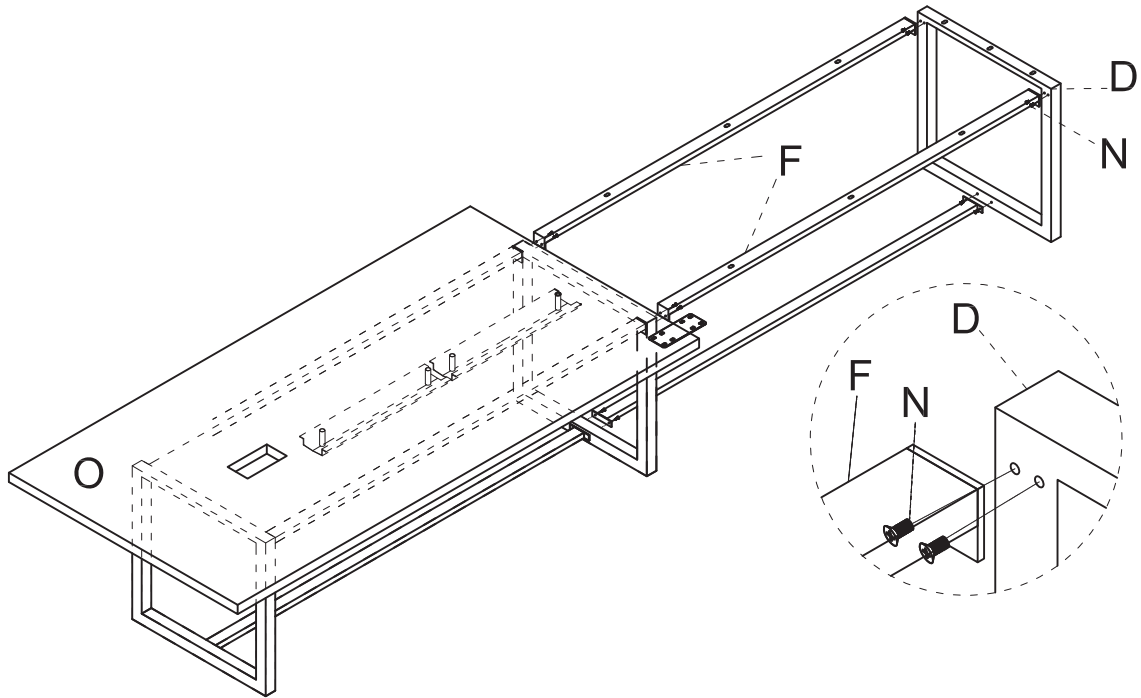
- 2** Lock the Stand-off (H) to the Top Panel (O), Use the Leveler (I) to connect the Wire Management Tray (K) to the Stand-off (H);



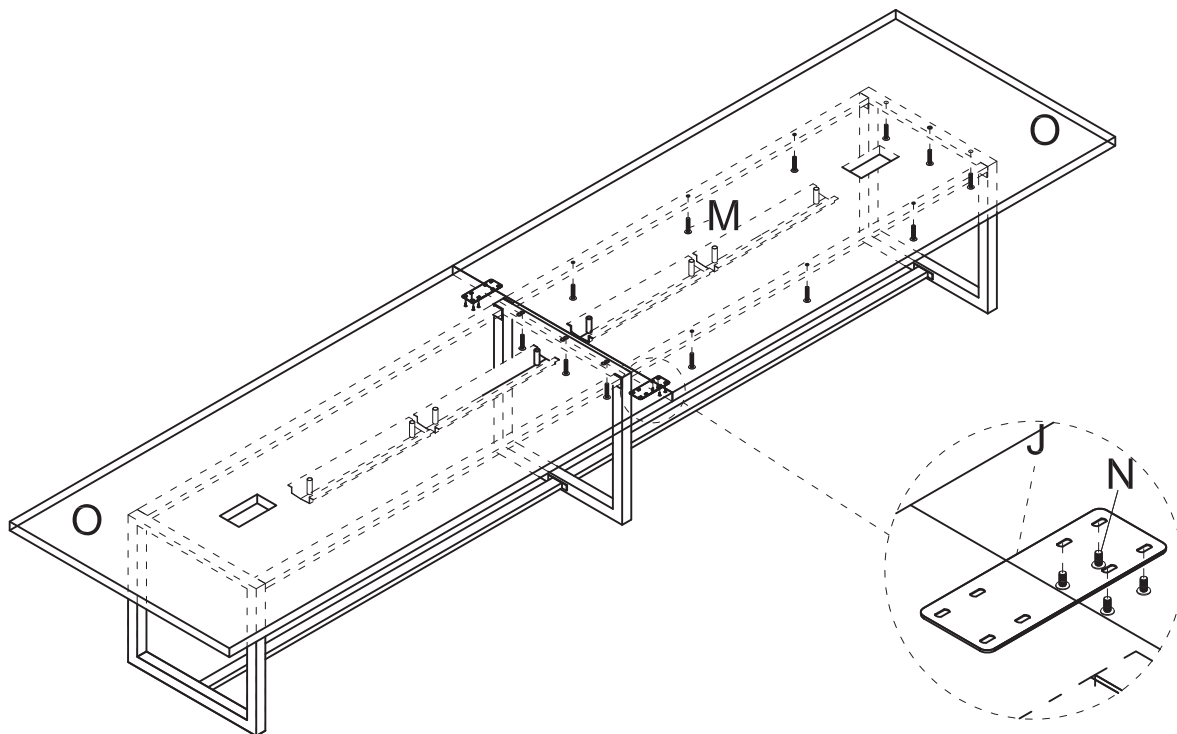
- 3** Use the Screw (M) to connect the Frame (F) and the Top (O), Use the Screw (N) to connect the Bracket (J) and the Top (O);



- ④ Use the Screw (N) to connect the Leg (D), the Middle Leg (E), the Frame (F) and the Foot Rest (G) together;



- ⑤ Use the Screw (M) to connect the Frame and the Top (O), Use the Screw (N) to install the Bracket (J) to the Top;



- 6** Use the Screw (C) to install the L Bracket (A) to the Top Conner, Use Screw (C) and Flat Bracket (B) to install both of the Top panels; Put the Grommet (L) on the Top.

