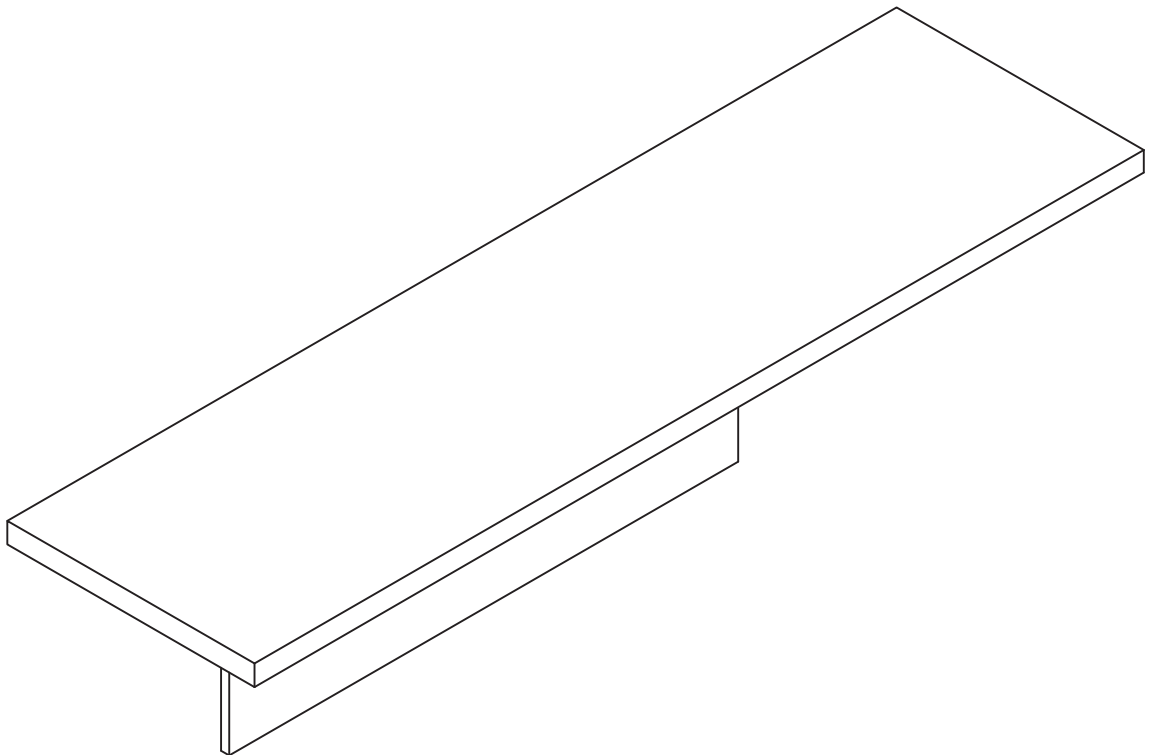


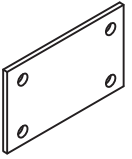
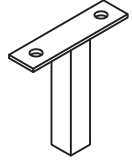
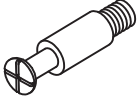


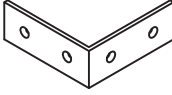








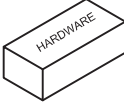
Mirella Series  
Credenza Top  
Model No. MRCT7220 & MRCT6620



For questions or concerns, please call 1-888-971-6225 available  
Monday-Friday 7:30 AM to 5:00 PM (Central Time)  
(English-speaking operators)

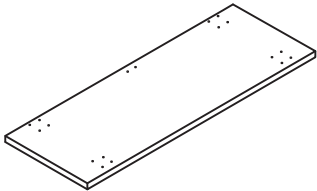
# PARTS LIST

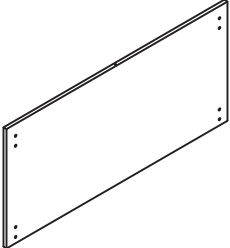
Name	Part	Qty.	Spare Qty
A	 HB 60*50*3mm	4	
B	 HB 60*20*73mm	1	
C	 HB Cam Post	1	
D	 HB Cam Lock	1	
E	 HB Cam Sticker	1	1
F	 HB 100*100*38*4mm	2	
G	 HB M4*14mm	24	2

Name	Part	Qty.	Spare Qty
H	 HB M6*15mm	2	1
I	 HB M6*15mm	16	1
J	 HB M6*35mm	4	
K	 HB M6 Nut	4	
L	 HB wrench	1	
	 HB MRCTHB		

Items with HB are in hardware box.

# PARTS LIST

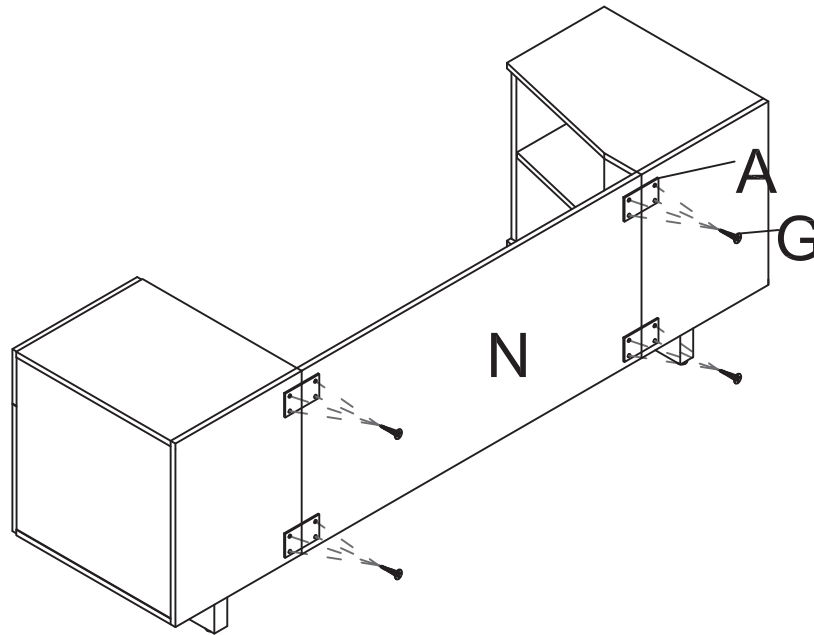
Name	Part	Qty.
M	 Top Panel	1

Name	Part	Qty.
N	 Modesty Panel	1

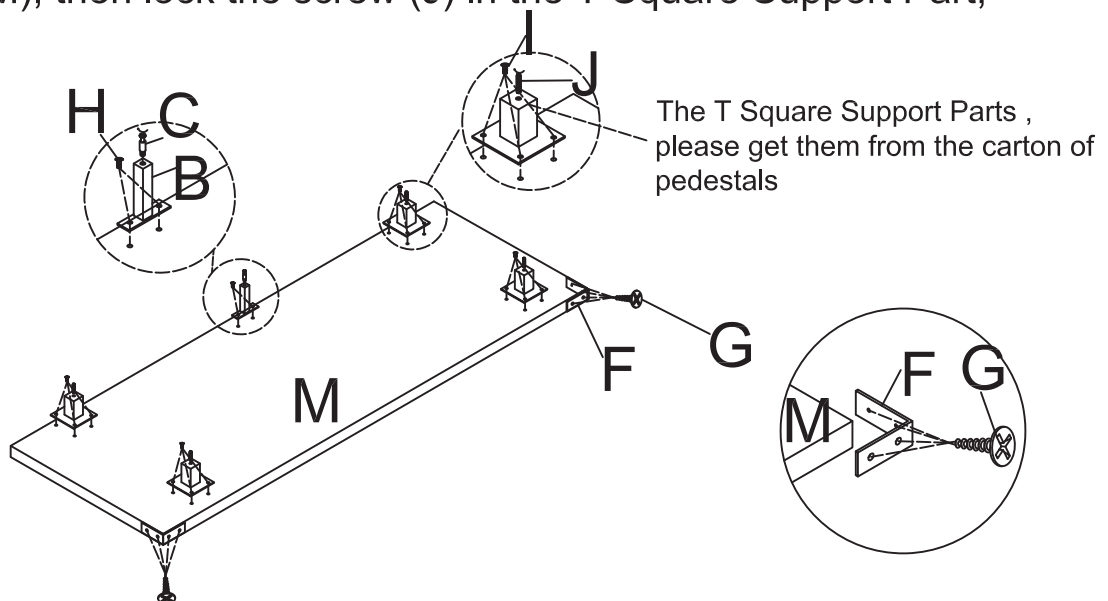
## **IMPORTANT!**

**Review ALL instructions before beginning assembly.** These instructions are provided to avoid problems that may occur from improper assembly or installation. SAFCO and/or its distributor are not responsible for failure resulting from improper assembly or installation of this product. Moreover, all warranties are void for failure to follow these assembly instructions.

- 1** Use the Screw (G) to attach the Bracket (A) to connect the Pedestal and the Modesty Panel (N);



- 2** Use the Screw (G) to install the L Bracket (F) to the edge front of the Top Panel (M), Insert the Cam Post (C) to the T Rectangle Support Part (B), Use the Screw (H) to install the T Rectangle Support Part (B) to the middle edge of the Top Panel (M), Use the Screw (I) to install the T Square Support Part to the Top Panel (M), then lock the screw (J) in the T Square Support Part;



- 3** Put the Top Panel (M) on the Pedestal, Make sure the T Square Support Part can be through the cutout on the top of the Pedestal; Use the Wrench to lock the Nut (K); Lock the Cam Lock (D) on the Modesty Panel (N), Attach the Cam Sticker (E) to Cams.

