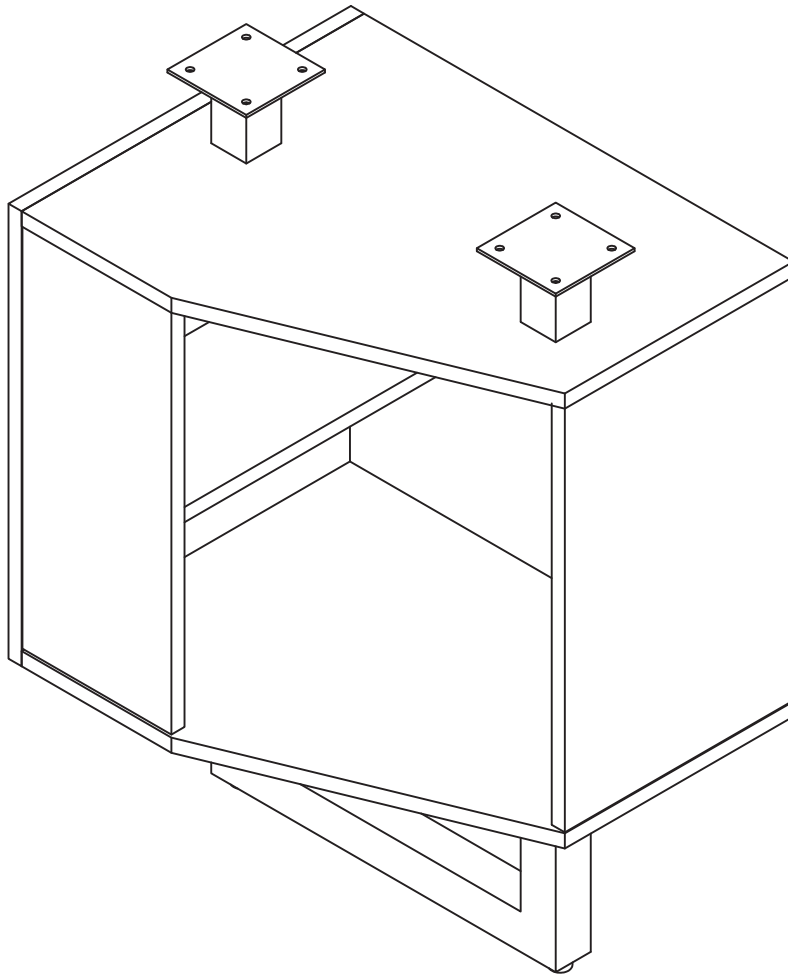


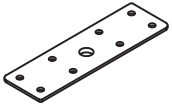
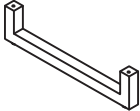





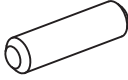



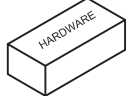
Mirella Series
Credenza/Return False Ped Universal
Model No. MRCRFP20



For questions or concerns, please call 1-888-971-6225 available
Monday-Friday 7:30 AM to 5:00 PM (Central Time)
(English-speaking operators)

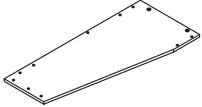
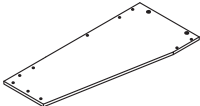
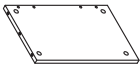
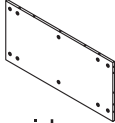
PARTS LIST

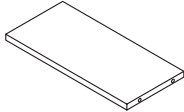
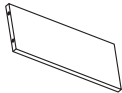
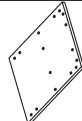
Name	Part	Qty.	Spare Qty
A	 HB 120*50*3mm	2	
B	 U Shape Base	1	
C	 80*80*73mm	2	
D	 HB M4*16mm	16	2
E	 HB Cam Post	22	1

Name	Part	Qty.	Spare Qty
F	 HB Wood Dowel	24	1
G	 HB Cam Lock	22	1
H	 HB Cam Sticker	24	1
I	 HB M6*35mm	2	
	 MRCRFP20HB		

Items with HB are in hardware box.

PARTS LIST

Name	Part	Qty.
J	 Top Panel	1
K	 Bottom Panel	1
L	 Front panel	1
M	 Big side panel	1

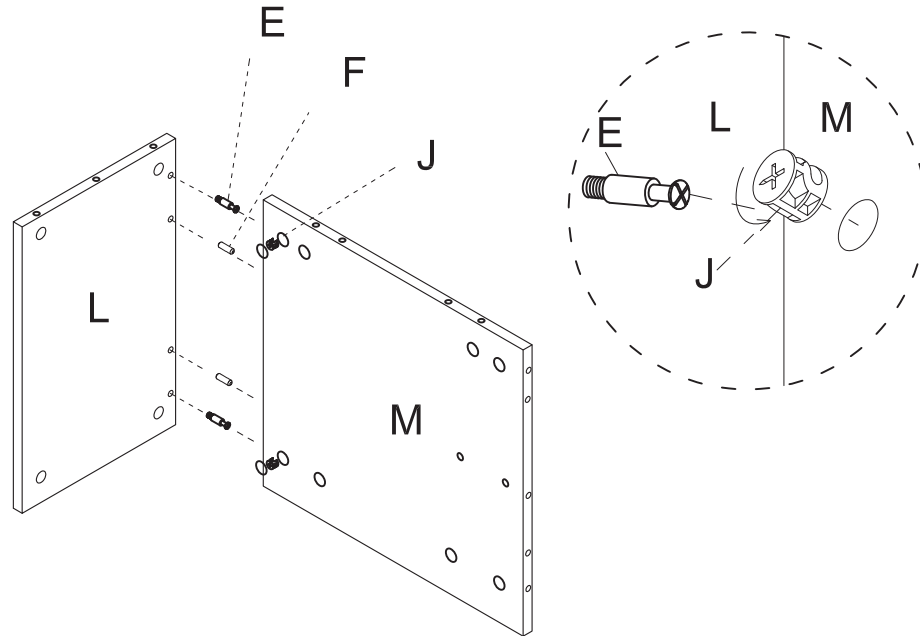
Name	Part	Qty.
N	 Fixed shelf	1
O	 Small side panel	1
P	 Back Panel	1

IMPORTANT!

Review ALL instructions before beginning assembly. These instructions are provided to avoid problems that may occur from improper assembly or installation. SAFCO and/or its distributor are not responsible for failure resulting from improper assembly or installation of this product. Moreover, all warranties are void for failure to follow these assembly instructions.

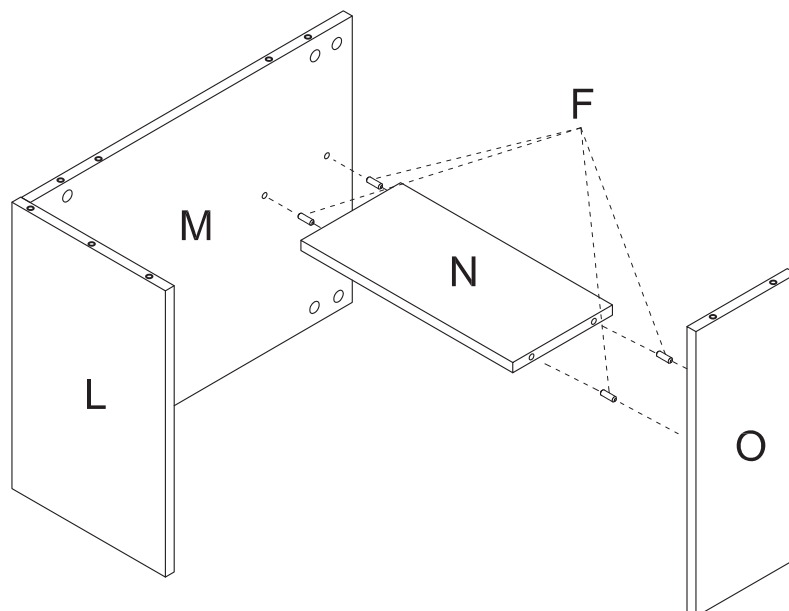
- 1** Insert Wood Dowel (F) & Cam Lock (G) to all panels, Install Cam Post (E) to Panel (L&M). Fasten Front Panel (L) to Big side Panel (M);

Note: Wood dowels must be installed into the vertical panels, not the horizontal panels. Be sure dowels are in all the way.



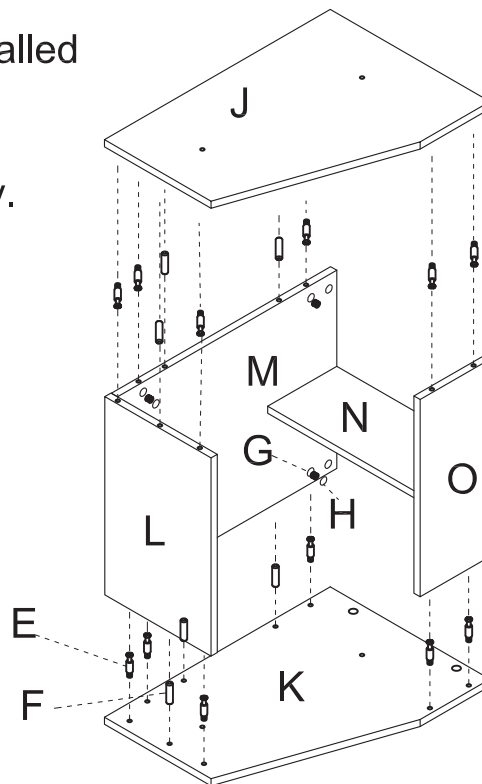
- 2** Connect Big side Panel (M) & Small side Panel (O) with Fixed Shelf (N) together;

Note: Wood dowels must be installed into the vertical panels, not the horizontal panels. Be sure dowels are in all the way.



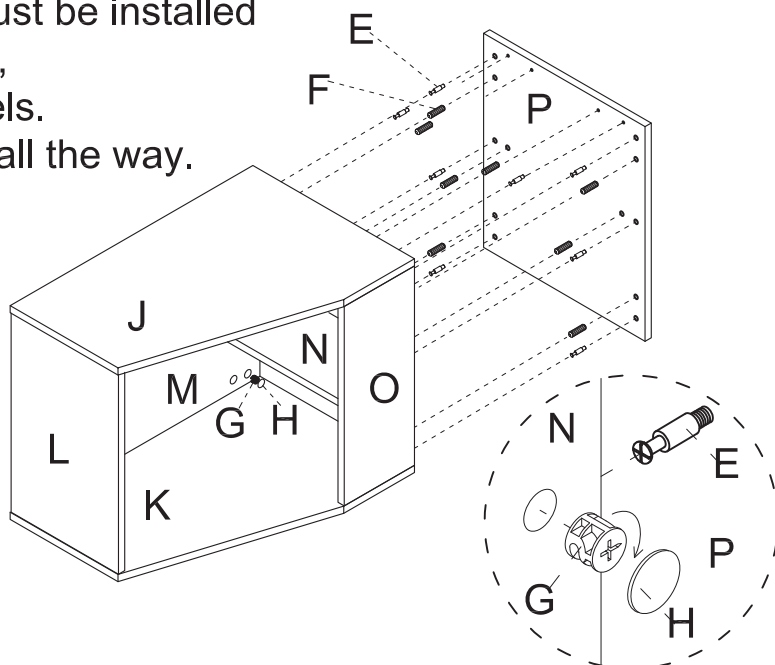
- ③ Install Top/Bottom Panels (J&K) to Panels (L&M&O) and fasten them together;

Note: Wood dowels must be installed into the vertical panels, not the horizontal panels.
Be sure dowels are in all the way.

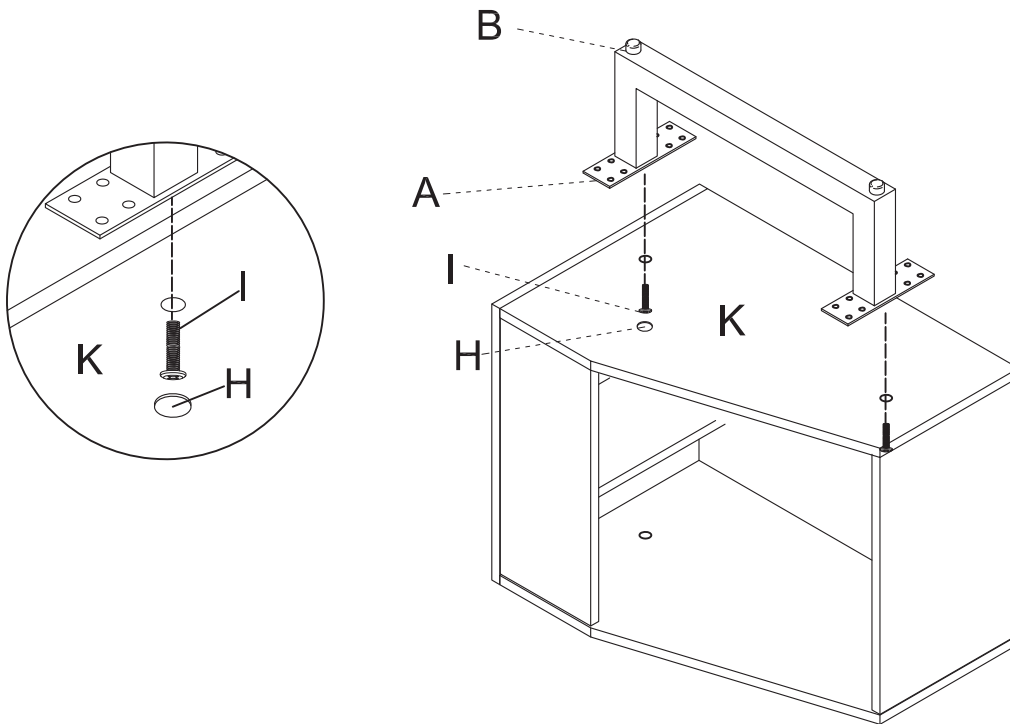


- ④ Install Back Panel (P) to Panels (J&K&M&N&O) and fasten them together , Attach Cam Sticker (H) to Cams(G);

Note: Wood dowels must be installed into the vertical panels, not the horizontal panels.
Be sure dowels are in all the way.



- 5** Use Screw (I) to connect the U Shape Base (B) and the Bracket (A), Attach Cam Sticker (H) to Screw(I);



- 6** Use Screw (D) to connect the U Shape Base (B) and the Bracket (A) to the bottom of the pedestal.

