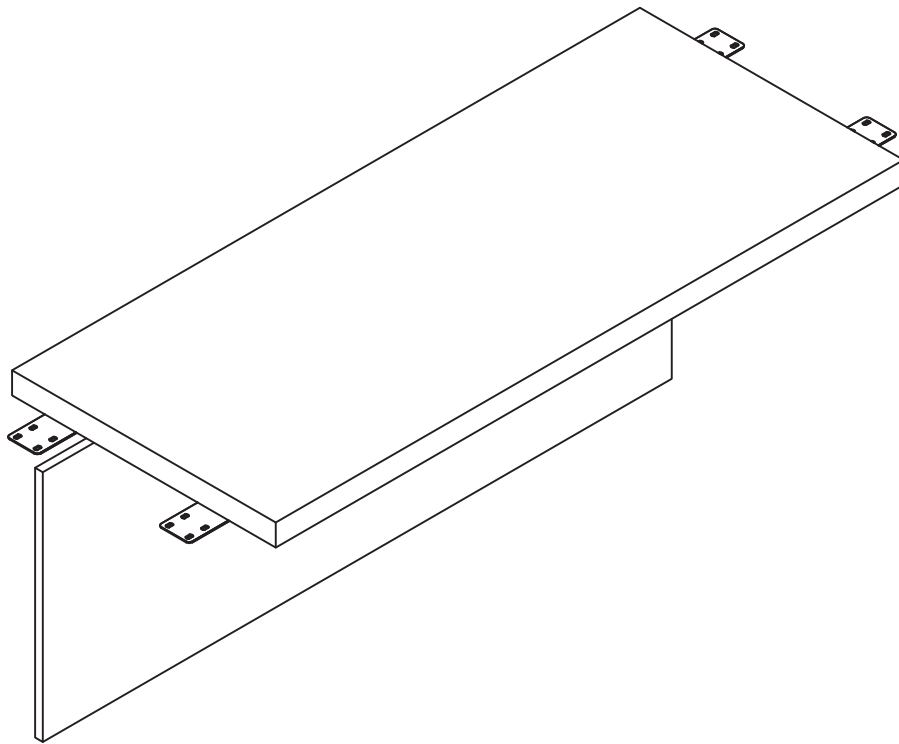


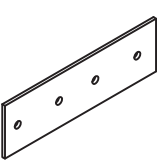
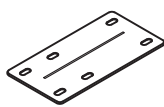
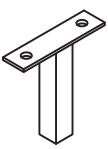




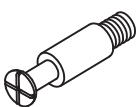


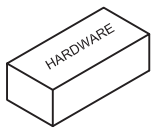
Mirella Series  
Universal Bridge and Modesty Panel  
Model No. MRBDG42 & MRBDG48

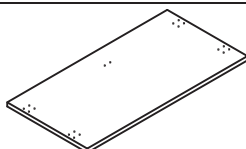


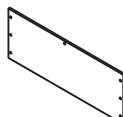
For questions or concerns, please call 1-888-971-6225 available  
Monday-Friday 7:30 AM to 5:00 PM (Central Time)  
(English-speaking operators)

# PARTS LIST

Name	Part	Qty.	Spare Qty
A	 200*38*4mm	2	
B	 150*90*3mm	4	
C	 60*20*73mm	1	
D	 M4*14mm	8	1
E	 M6*15mm	26	1

Name	Part	Qty.	Spare Qty
F	 Cam Post	7	1
G	 Cam Lock	7	1
H	 Cam Sticker	7	1
	 MRBDG42-48HB		

Name	Part	Qty.
I	 Top Panel	1

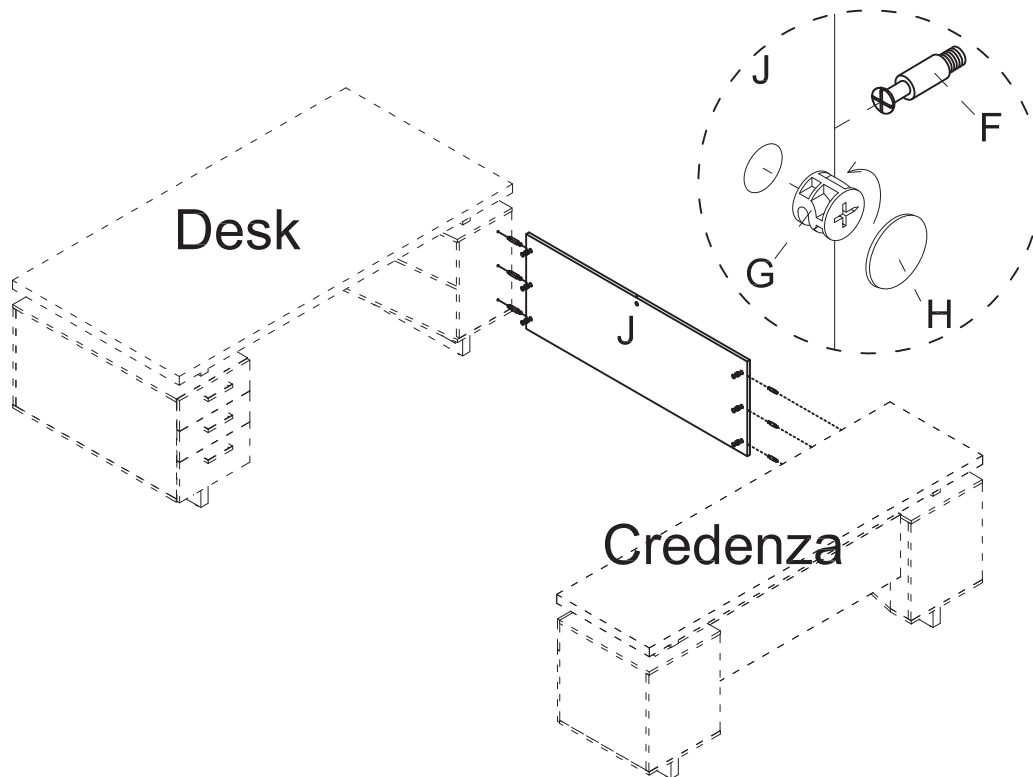
Name	Part	Qty.
J	 Modesty Panel	1

Items with HB are in hardware box.

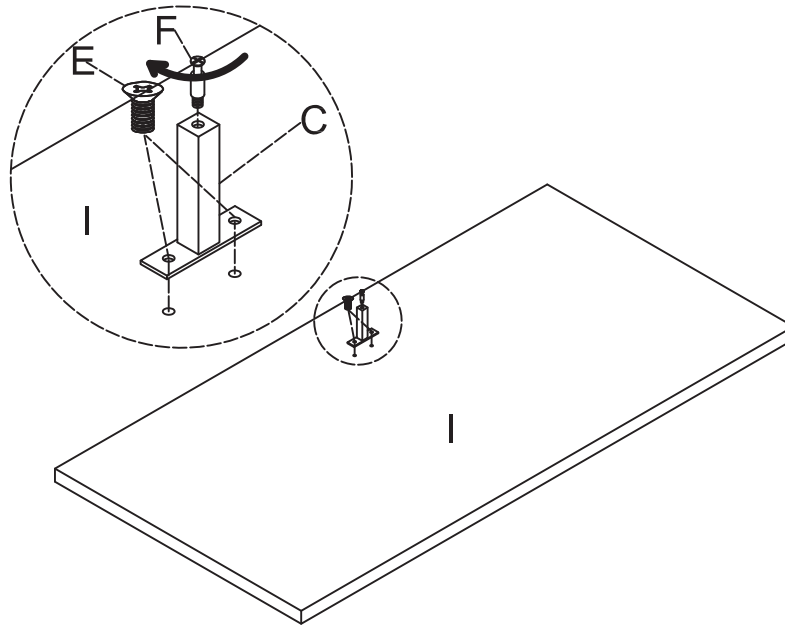
## IMPORTANT!

**Review ALL instructions before beginning assembly.** These instructions are provided to avoid problems that may occur from improper assembly or installation. SAFCO and/or its distributor are not responsible for failure resulting from improper assembly or installation of this product. Moreover, all warranties are void for failure to follow these assembly instructions.

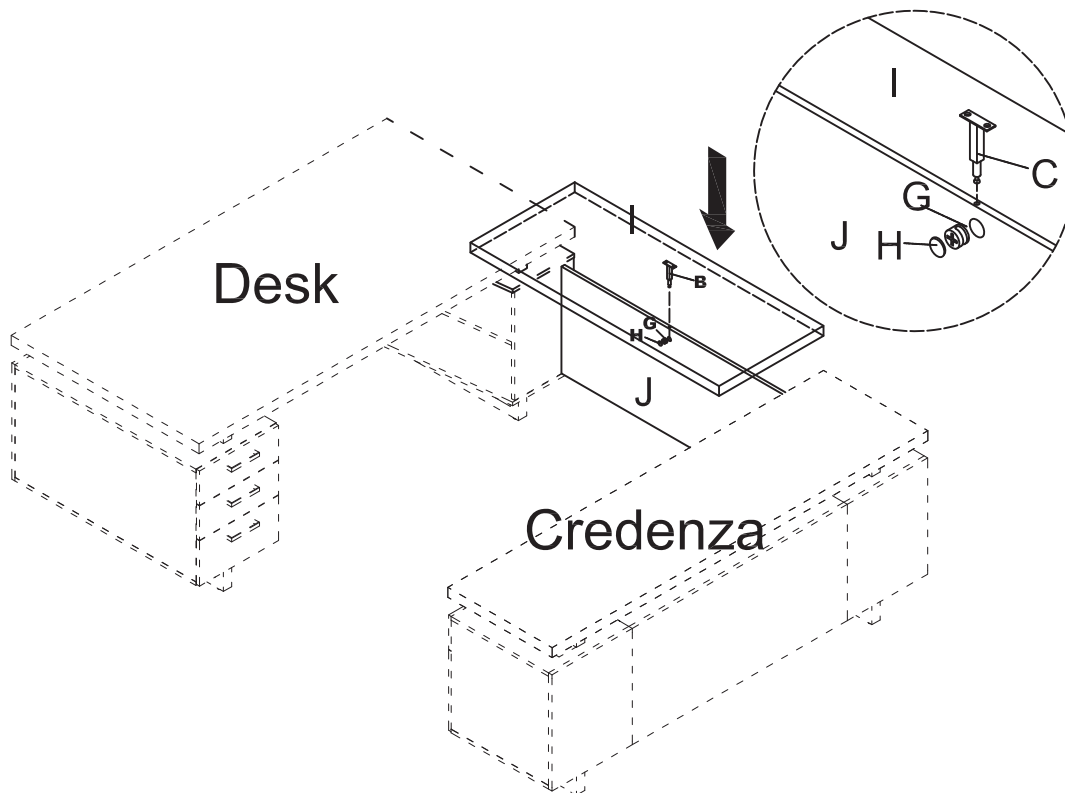
- 1 Insert the Cam Post (F) and the Cam Lock (G) to Modesty Panel (J), Fasten the Modesty panel (J) and the Pedestals together, Attach the Cam Sticker (H) to Cams;



- 2** Insert the Cam Post (F) to the T Rectangle Support Part (C), Use the Screw (E) to install the T Rectangle Support Part (C) to the middle edge of the Top Panel (I):



- 3** Put the Top Panel (I) to the Modesty Panel (J), Lock the Cam Lock (G), Attach the Cam Sticker (H) to the Cams;



- ④ Use the Screw (D) to attach the Bracket (A) on the edge of the Bridge and the Main Desk & Credenza, Use the Screw (E) to attach the Bracket ( B) to connect the bottom of the Bridge, the Main Desk and the Credenza;

