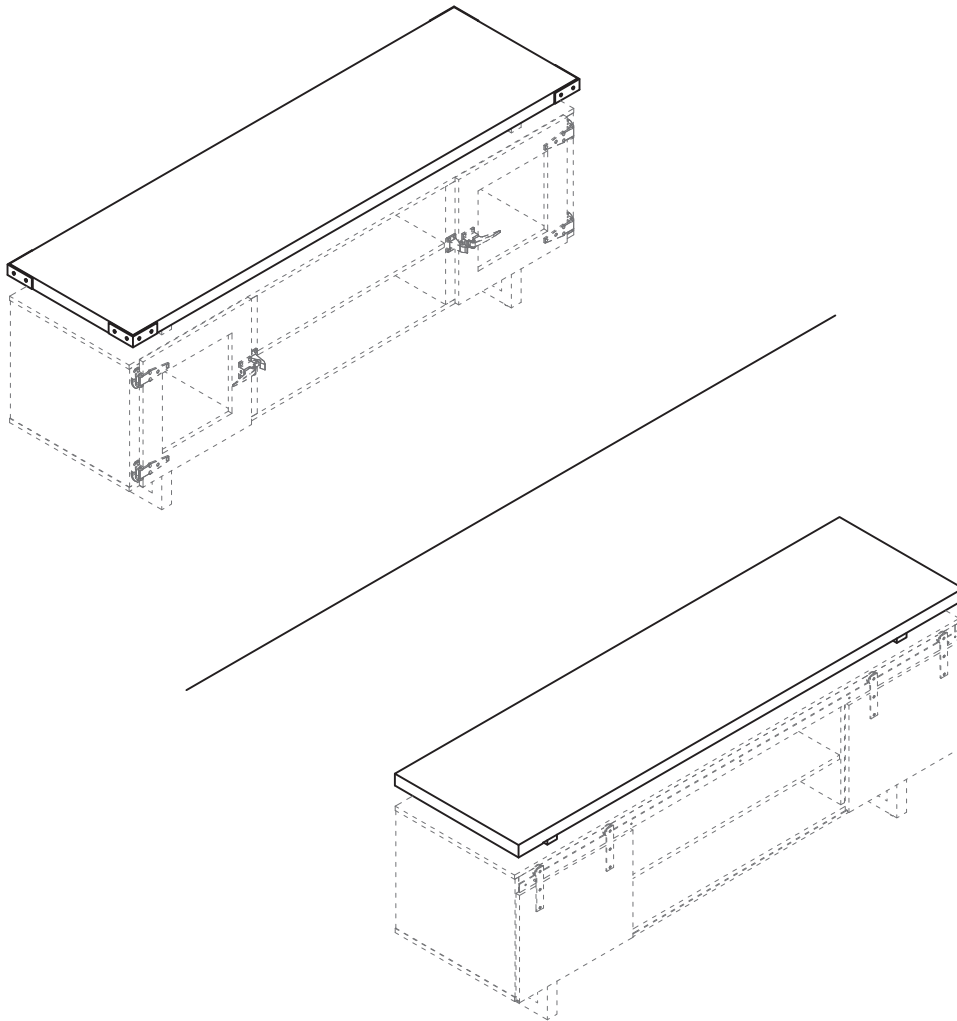










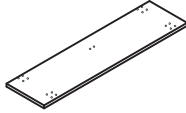
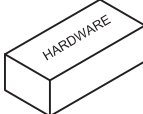
Mirella Series Low Wall Cabinet Top Model No. MRLWCT



For questions or concerns, please call 1-888-971-6225 available
Monday-Friday 7:30 AM to 5:00 PM (Central Time)
(English-speaking operators)

PARTS LIST

Name	Part	Qty.	Spare Qty
A	 HB 60*20*73mm	1	
B	 HB M6*15mm	2	1
C	 HB M6*15mm	16	1
D	 HB M6*35mm	4	

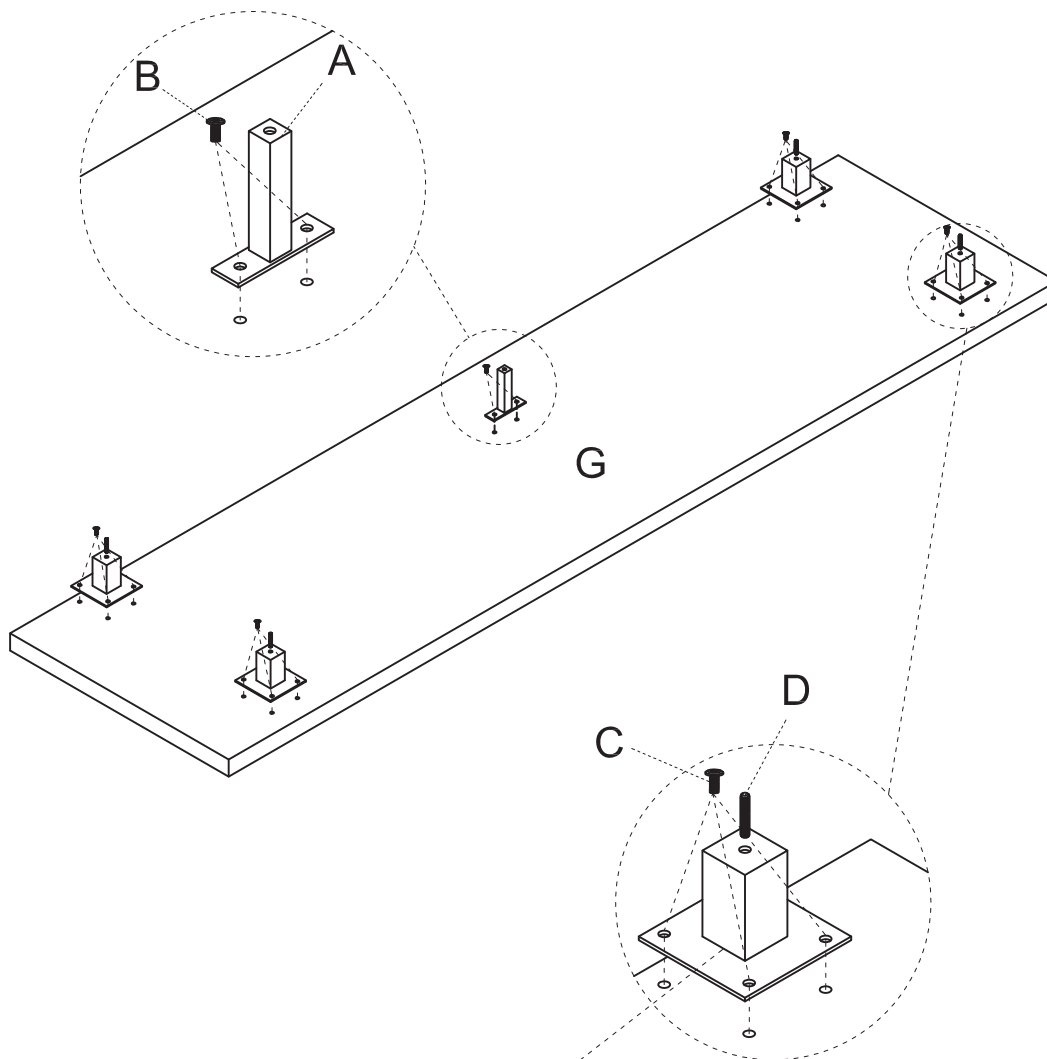
Name	Part	Qty.	Spare Qty
E	 HB M6 Nut	4	
F	 HB Wrench	1	
G	 HB Top Panel	1	
	 HB MRLWCTHB		

IMPORTANT!

Review ALL instructions before beginning assembly. These instructions are provided to avoid problems that may occur from improper assembly or installation. SAFCO and/or its distributor are not responsible for failure resulting from improper assembly or installation of this product. Moreover, all warranties are void for failure to follow these assembly instructions.

Items with HB are in hardware box.

- ① Use Screws (B) to lock the T Bracket (A) in correct position, Install the T Square Support Parts to the top by using Screws (C) and fasten it by using Screws (D);



Note: the T Square Parts Included in the Carton of Low Wall Cabinet.

- ② Use Wrench (F) lock the Nut (E) on the cabinet, Use Screws to fasten the L Brackets to all sides of the Top(G).

