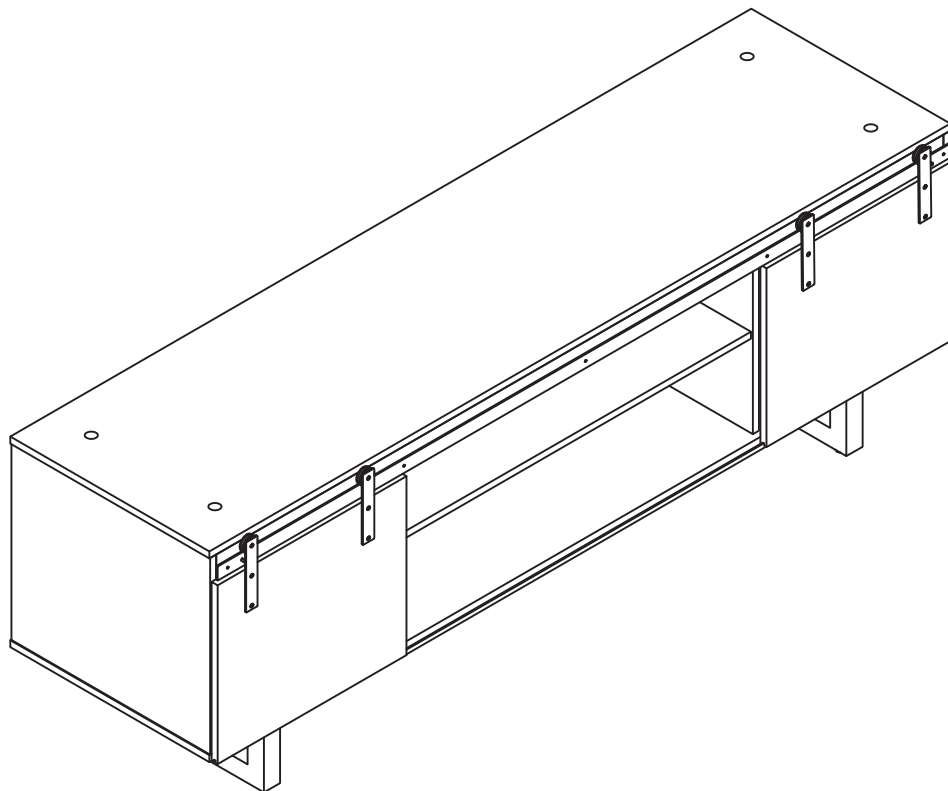



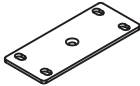
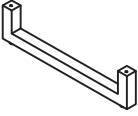









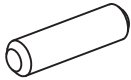



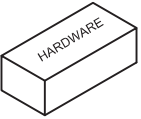
Mirella Series
72" Low Wall Cabinet Case
w/ Sliding Wood Doors
Model No. MRLCCWD



For questions or concerns, please call 1-888-971-6225 available
Monday-Friday 7:30 AM to 5:00 PM (Central Time)
(English-speaking operators)

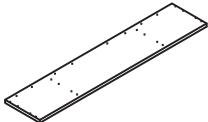
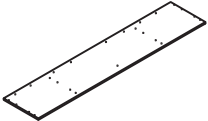

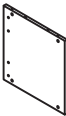
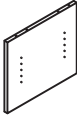
PARTS LIST

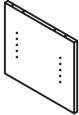
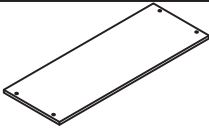
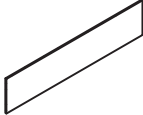
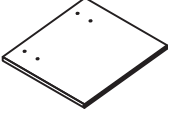
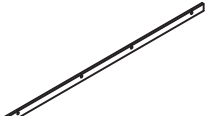
Name	Part	Qty.	Spare Qty
A	 HB Wheel Bracket	4	
B	 HB 120*50*3mm	4	
C	 U Shape Base	2	
D	 80*80*73mm	4	
E	 80*80*173mm	1	
F	 HB M6*15mm	4	1
G	 HB M6*15mm	20	1
H	 HB M3.5*30mm	6	1

Name	Part	Qty.	Spare Qty
I	 HB M6*14mm	8	1
J	 HB Cam Post	32	1
K	 HB Wood Dowel	28	1
L	 HB Cam Lock	32	1
M	 HB Shelf Support	4	1
N	 HB Cam Sticker	32	1
	 HB MRLCCWDHB		

Items with HB are in hardware box.

PARTS LIST

Name	Part	Qty.
O	 Top Panel	1
P	 Bottom Panel	1
Q	 Left Side Panel	1
R	 Right Side Panel	1
S	 Left inside Panel	1

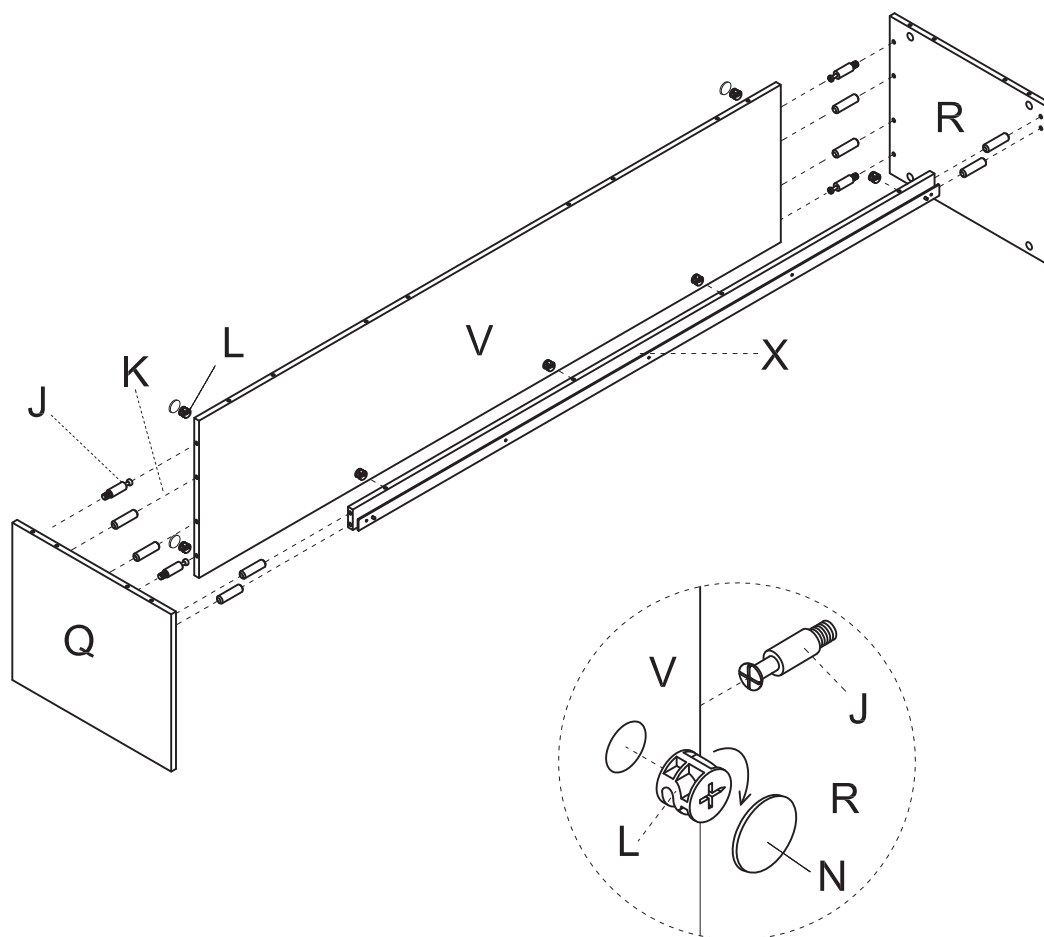
Name	Part	Qty.
T	 Right inside Panel	1
U	 Adjustable Shelf	1
V	 Back Panel	1
W	 Wood Door	2
X	 Cross Bar	1

IMPORTANT!

Review ALL instructions before beginning assembly. These instructions are provided to avoid problems that may occur from improper assembly or installation. SAFCO and/or its distributor are not responsible for failure resulting from improper assembly or installation of this product. Moreover, all warranties are void for failure to follow these assembly instructions.

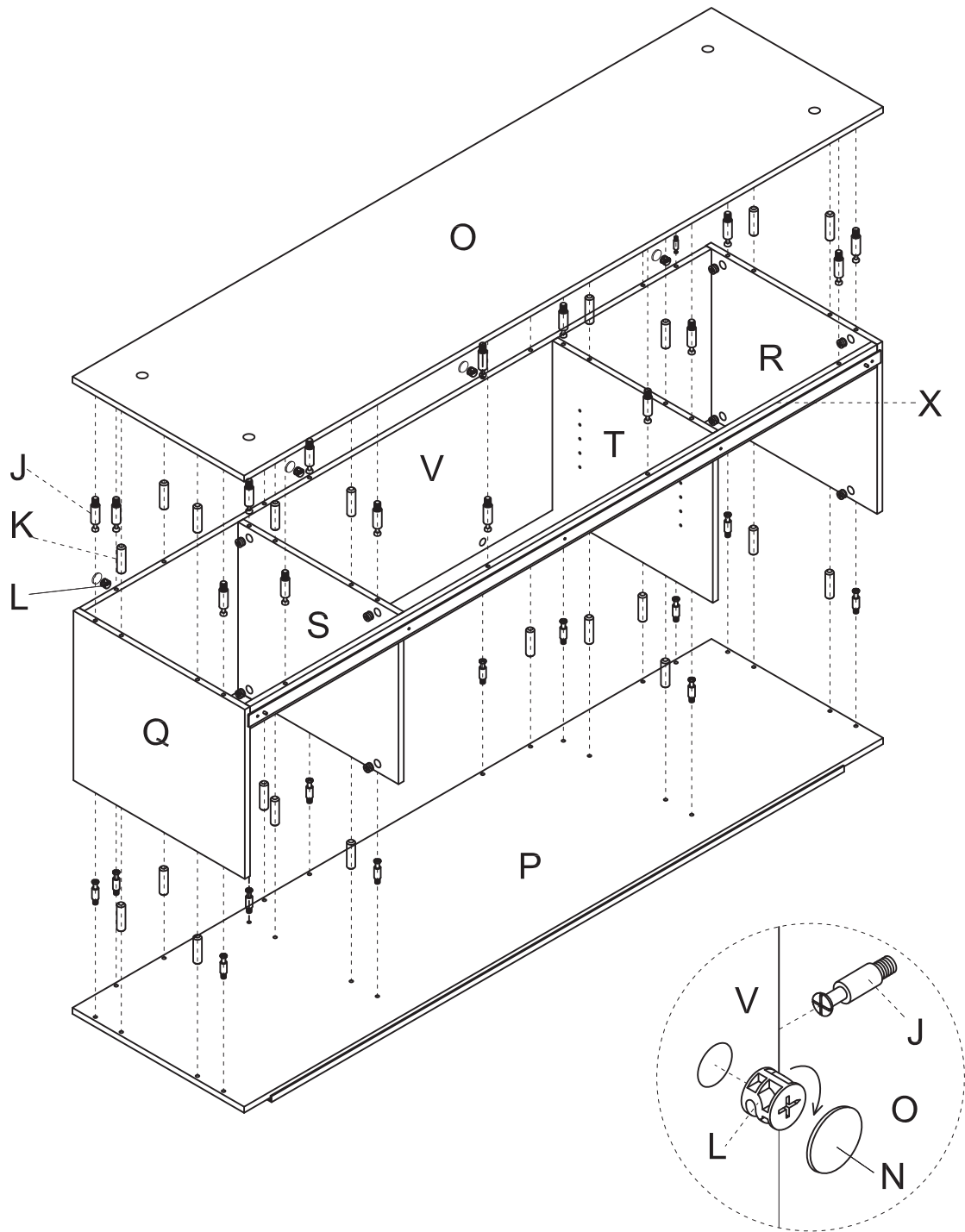
- 1** Insert Wood Dowel (K) & Cam Post (J) to all panels. Install Cam Lock (L) to Panel (Q&R&V). Fasten Side Panel (Q&R) to Back Panel (V); Attach the Cam Sticker (N) to Cams;

Note: Wood dowels must be installed into the vertical panels, not the horizontal panels. Be sure dowels are in all the way.

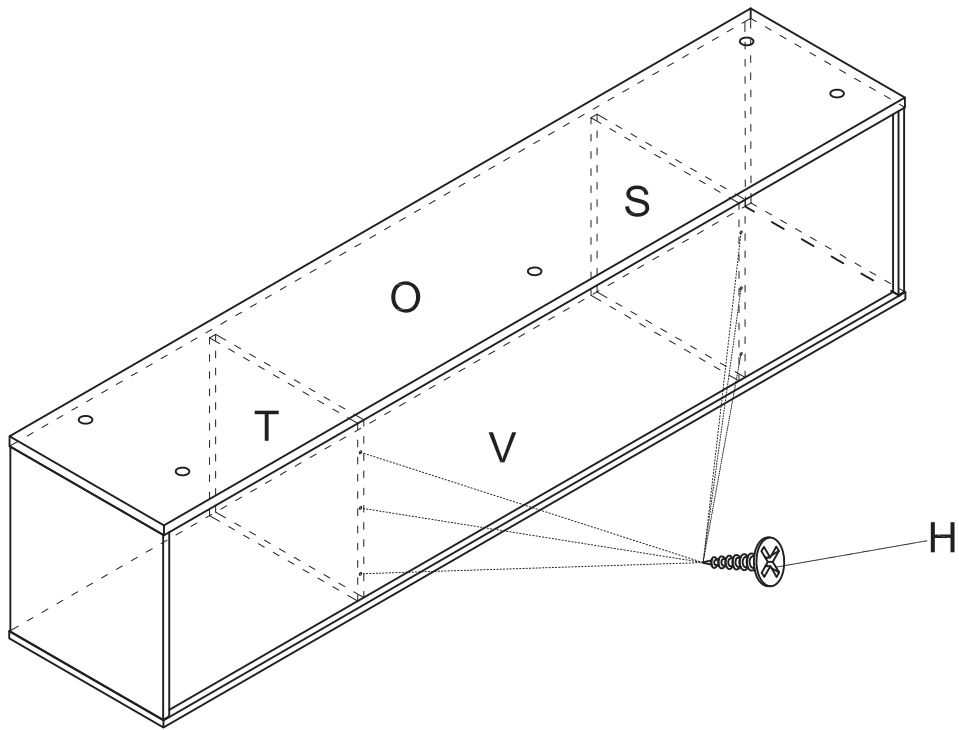


- ② Use Wood Dowel (K), Cam Post (J) & Cam Lock (L) to fasten Top Panel (O) and Bottom Panel (P) and other panels (Q&R&S&T&X) together, Attach the Cam Sticker (N) to Cams;

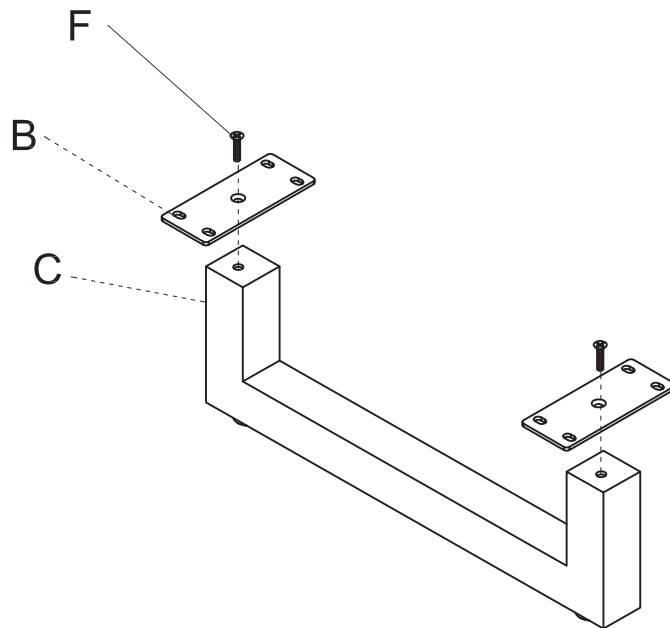
Note: Wood dowels must be installed into the vertical panels, not the horizontal panels. Be sure dowels are in all the way.



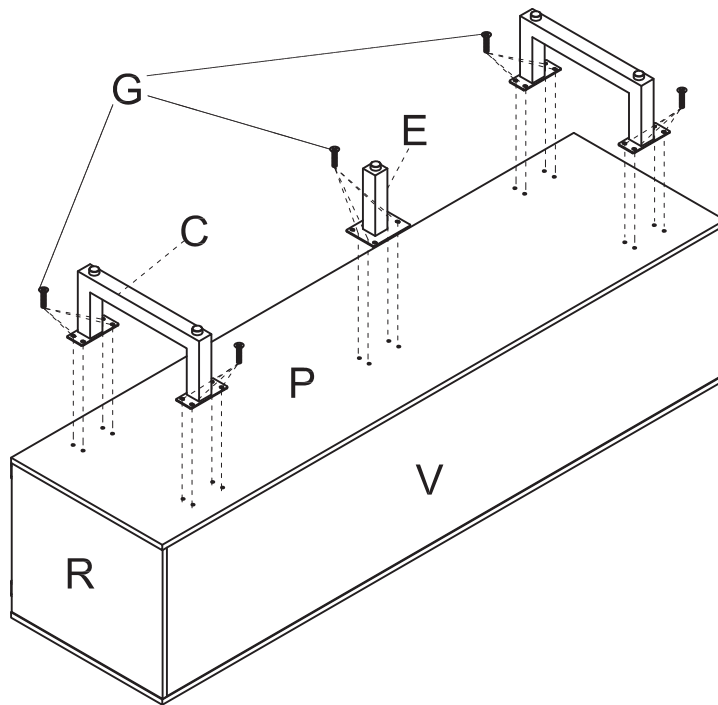
- ③ Use Screw (H) to install the Back panel (V) and the inside panel (T&S);



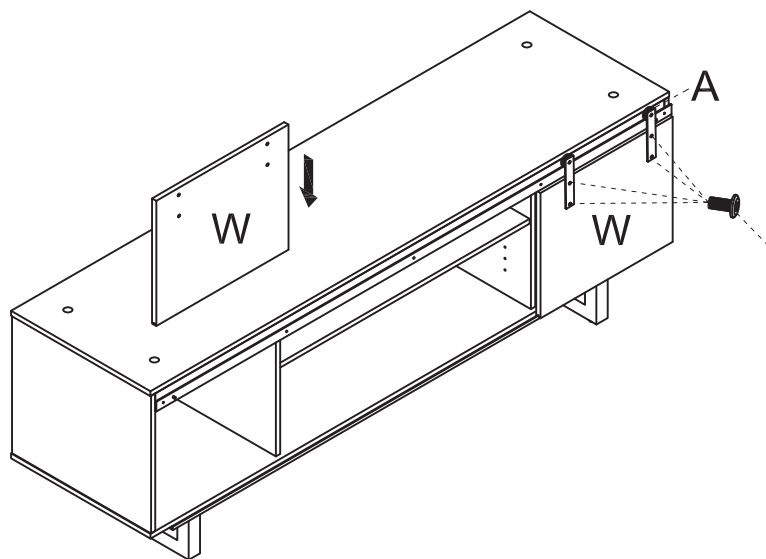
- ④ Lock the Metal Plate (B) and U Shape Base (C) by using Screw (F);



- 5 Use Screw (G) to install the U Shape Base (C) and the Support Part (E) to Bottom Panel (P);



- 6 Put Wood Door (W) between the gap of the Slide, Use Screw (I) to install the Wheel Bracket (A) to Wood Door (W);



- 7 Insert Shelf Support (M) to the Inside Panel (T&S), Put Adjustable shelf (U) on the Shelf Support (M).

