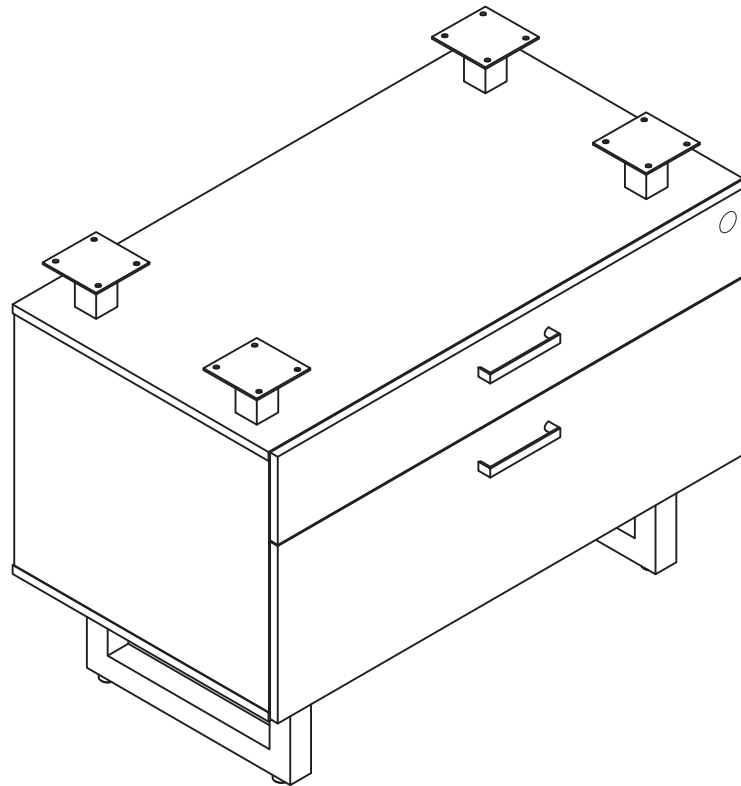


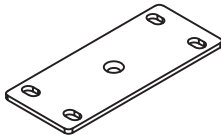
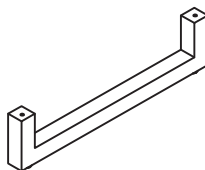
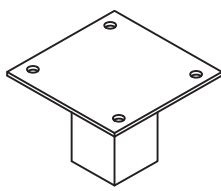
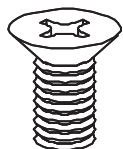


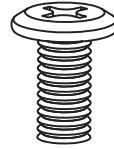
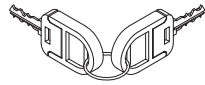
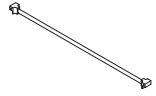
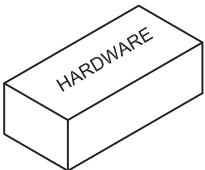
Mirella Series  
Lateral File Credenza Mount  
Model No. MRLFC36 & MRLFC30



For questions or concerns, please call 1-888-971-6225 available  
Monday-Friday 7:30 AM to 5:00 PM (Central Time)  
(English-speaking operators)

# PARTS LIST

Name	Part	Qty.	Spare Qty
A	 <p>120*50*3mm</p>	4	
B	 <p>U Shape Base</p>	2	
C	 <p>80*80*73mm</p>	4	
D	 <p>M6*15mm</p>	4	1

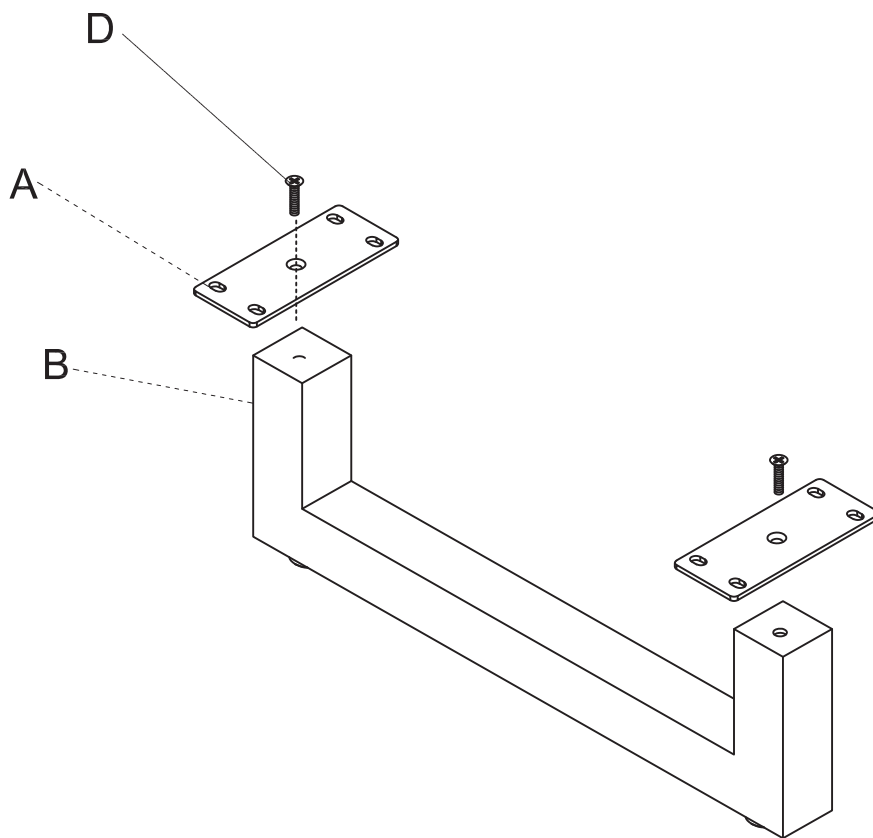
Name	Part	Qty.	Spare Qty
E	 <p>M6*15mm</p>	16	1
F	 <p>Keys</p>	1	
	 <p>Legal Hanger Bar</p>	2	
	 <p>MRLFC30-36HB</p>		

Items with HB are in hardware box.

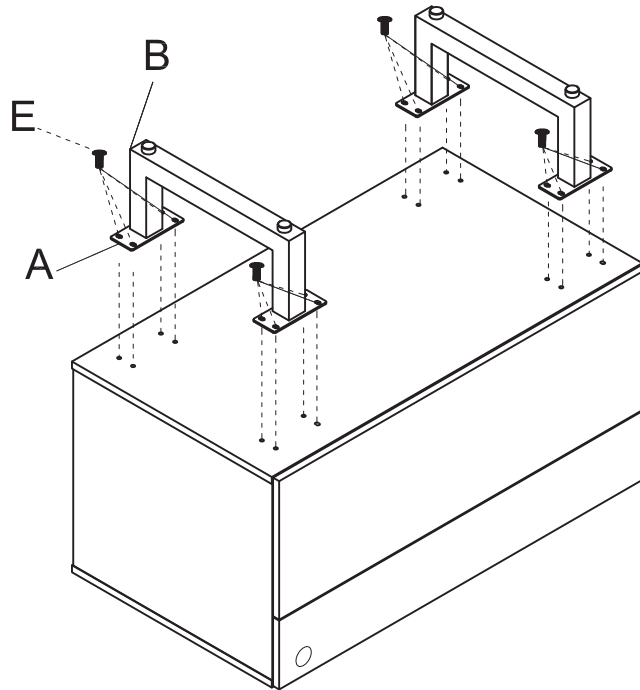
## IMPORTANT!

**Review ALL instructions before beginning assembly.** These instructions are provided to avoid problems that may occur from improper assembly or installation. SAFCO and/or its distributor are not responsible for failure resulting from improper assembly or installation of this product. Moreover, all warranties are void for failure to follow these assembly instructions.

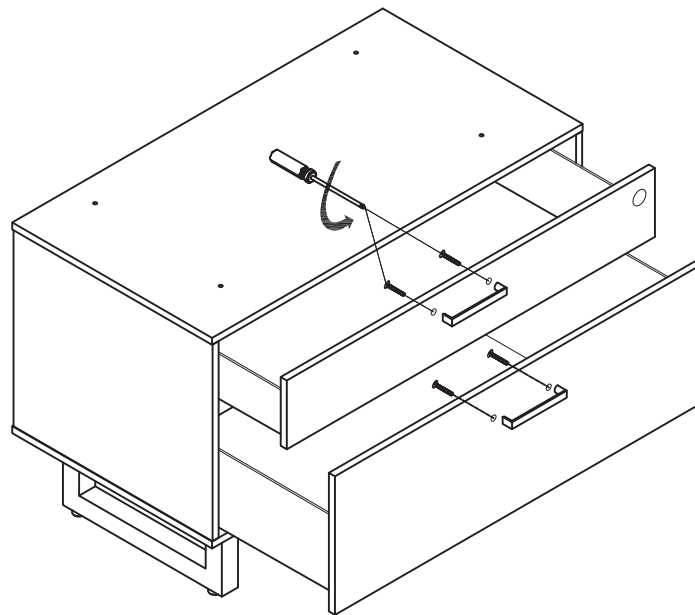
- 1 Lock the Metal Plate (A) and U Shape Base (B) by using Screw (D);



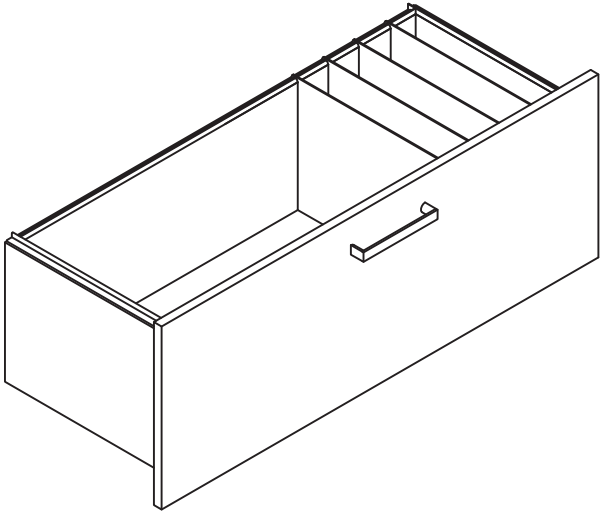
- 2** Use Screw (E) to connect the U Shape Base to the bottom of the Pedestal;



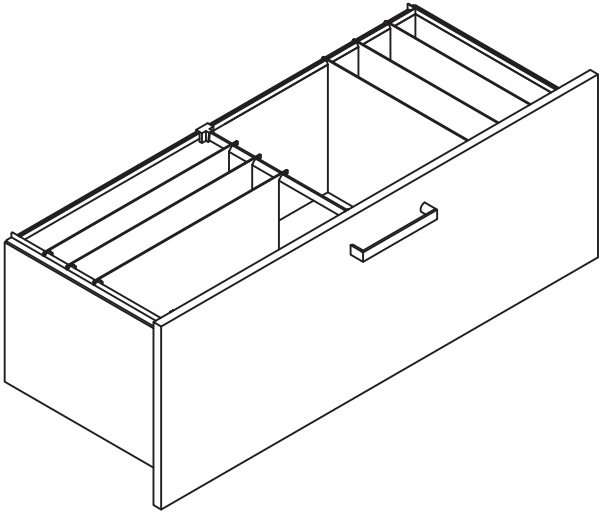
- 3** Install the handle from the inside of the drawer to the outside;



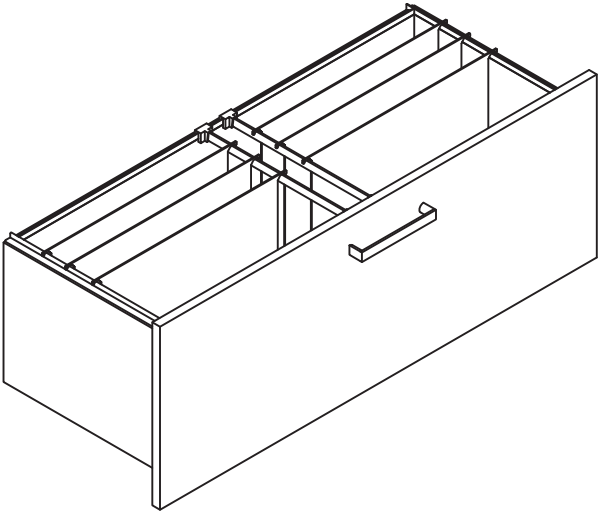
No filing bars required for Letter sized hanging folders.



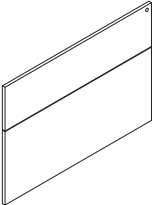
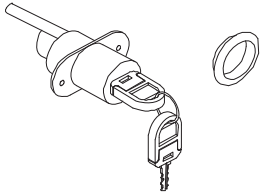
One filing bar for combination of Letter and Legal sized hanging folders.




Two filing bars for Legal sized hanging folders.



# Pre-Installed Replacement Parts List

Part	Included Qty.
 Drawer Fronts Set of 2	1
 Lock w/ Key	1

Part	Included Qty.
 14" Drawer Slides	2