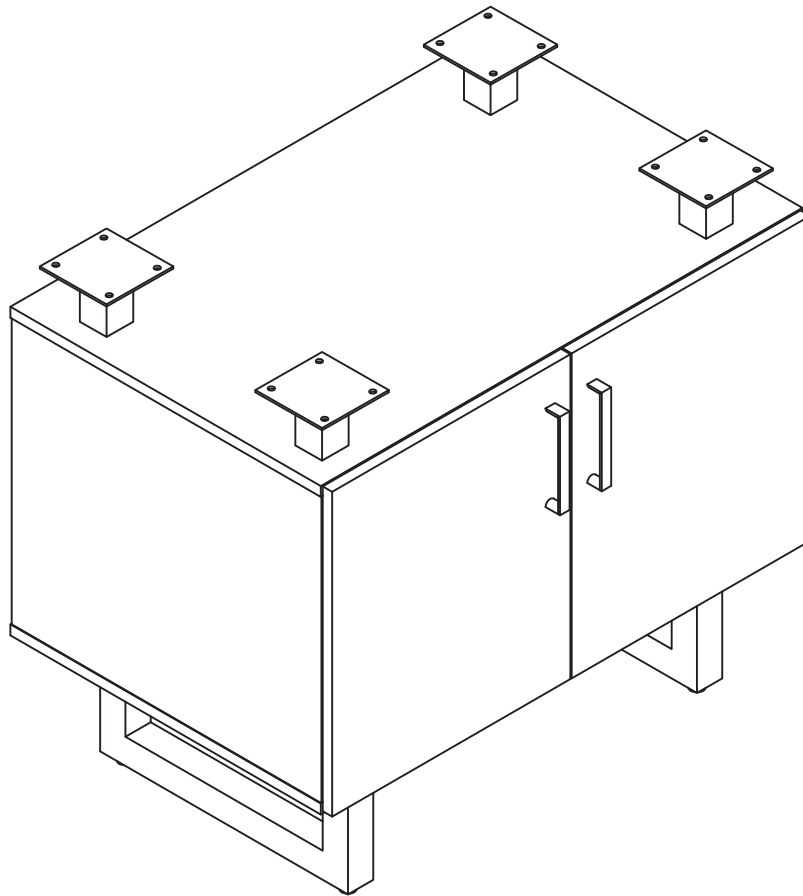


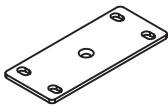
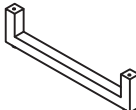
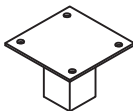

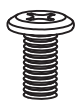

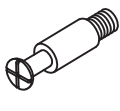


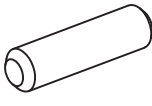



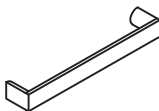
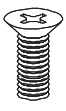
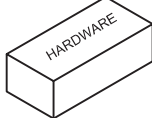
Mirella Series  
Storage Cabinet Credenza Mount  
Model No. MRSC36 & MRSC30



For questions or concerns, please call 1-888-971-6225 available  
Monday-Friday 7:30 AM to 5:00 PM (Central Time)  
(English-speaking operators)

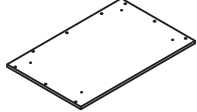
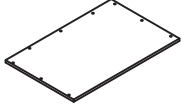
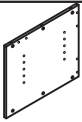
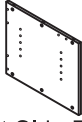
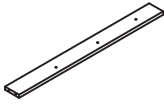
# PARTS LIST

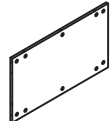
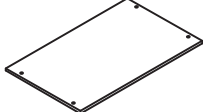
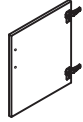
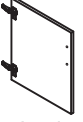
Name	Part	Qty.	Spare Qty
A	 HB 120*50*3mm	4	
B	 U Shape Base	2	
C	 80*80*73mm	4	
D	 HB M6*15mm	4	1
E	 HB M6*15mm	16	1
F	 HB M3.5*30mm	3	1
G	 HB Cam Post	22	1

Name	Part	Qty.	Spare Qty
H	 HB Wood Dowel	8	1
I	 HB Cam Lock	22	1
J	 HB Cam Sticker	22	1
K	 HB Shelf Support	4	1
L	 HB Handle	2	
M	 HB M4*22mm	4	1
	 MRSC30-36HB		

Items with HB are in hardware box.

# PARTS LIST

Name	Part	Qty.
N	 Top Panel	1
O	 Bottom Panel	1
P	 Left Side Panel	1
Q	 Right Side Panel	1
R	 Top Support	1

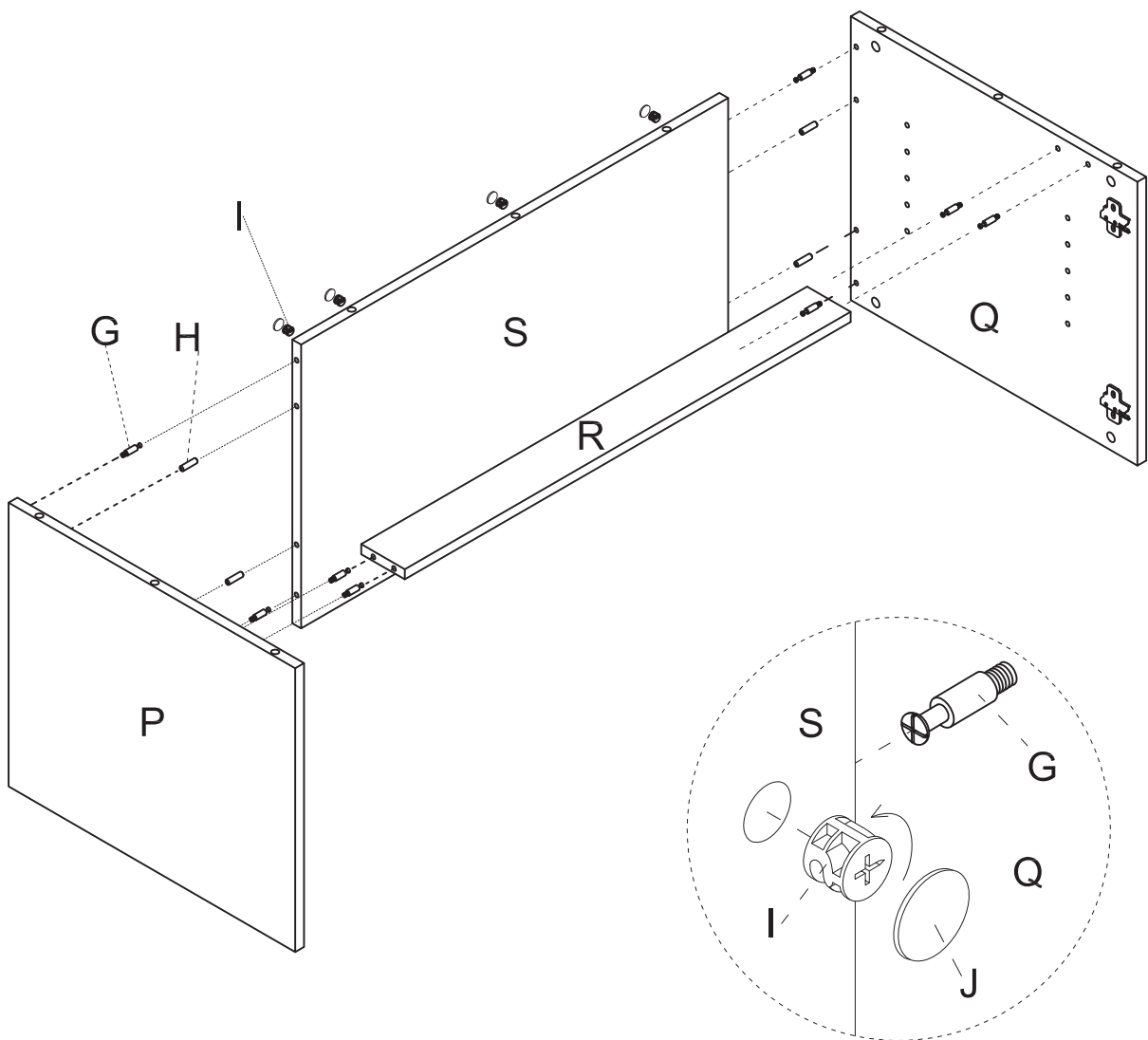
Name	Part	Qty.
S	 Back Panel	1
T	 Adjustable Shelf	1
U	 Left door	1
V	 Right door	1

## IMPORTANT!

**Review ALL instructions before beginning assembly.** These instructions are provided to avoid problems that may occur from improper assembly or installation. SAFCO and/or its distributor are not responsible for failure resulting from improper assembly or installation of this product. Moreover, all warranties are void for failure to follow these assembly instructions.

- 1** Insert Wood Dowel (H) & Cam Post (G) to all panels. Install Cam Lock (I) to Panel (P&Q&S). Fasten Side Panel (P&Q) and Panel (R) to Back Panel (S) ; Attach the Cam Sticker (J) to Cams;

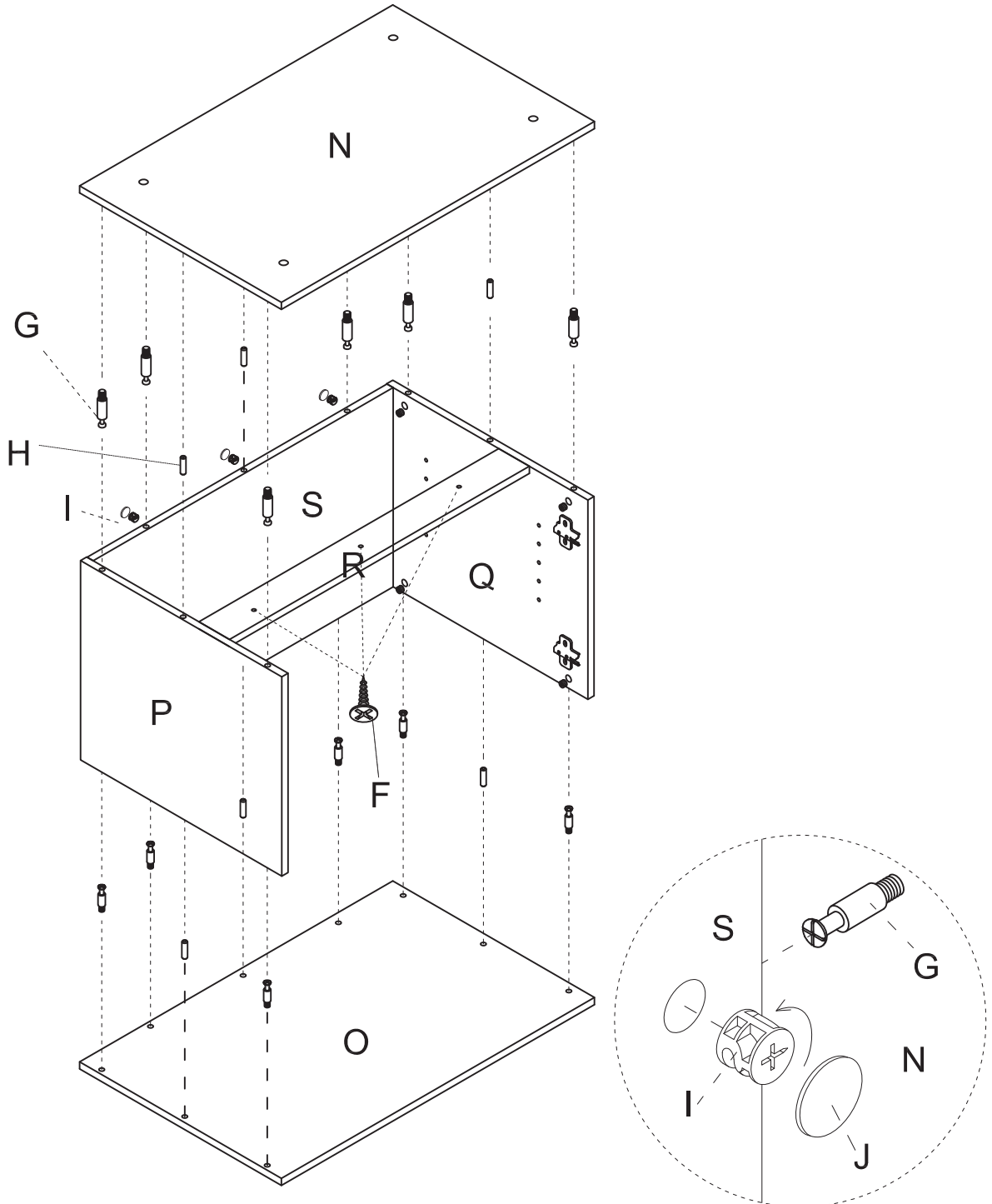
Note: Wood dowels must be installed into the vertical panels, not the horizontal panels. Be sure dowels are in all the way.



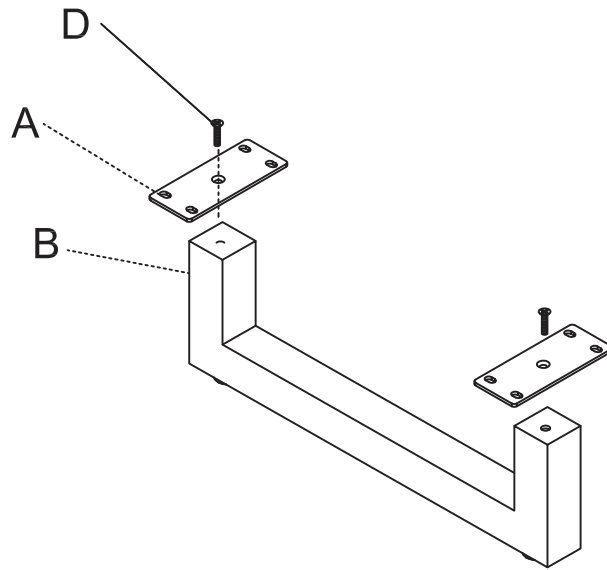
**2**

Use Wood Dowel (H), Cam Post (G) & Cam Lock (I) to fasten Top panel (N) and Bottom Panel (O) and other panels (P&Q&S) together. Use Screw (F) attach the Panel (U) to the Top Panel (N), Attach the Cam Sticker (J) to Cams;

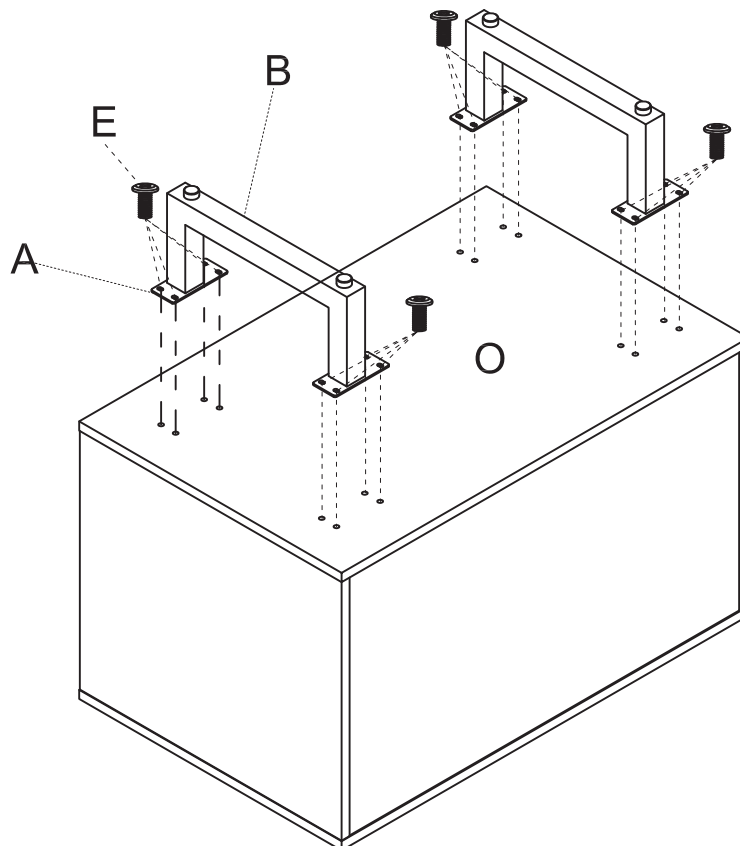
Note: Wood dowels must be installed into the vertical panels, not the horizontal panels. Be sure dowels are in all the way.



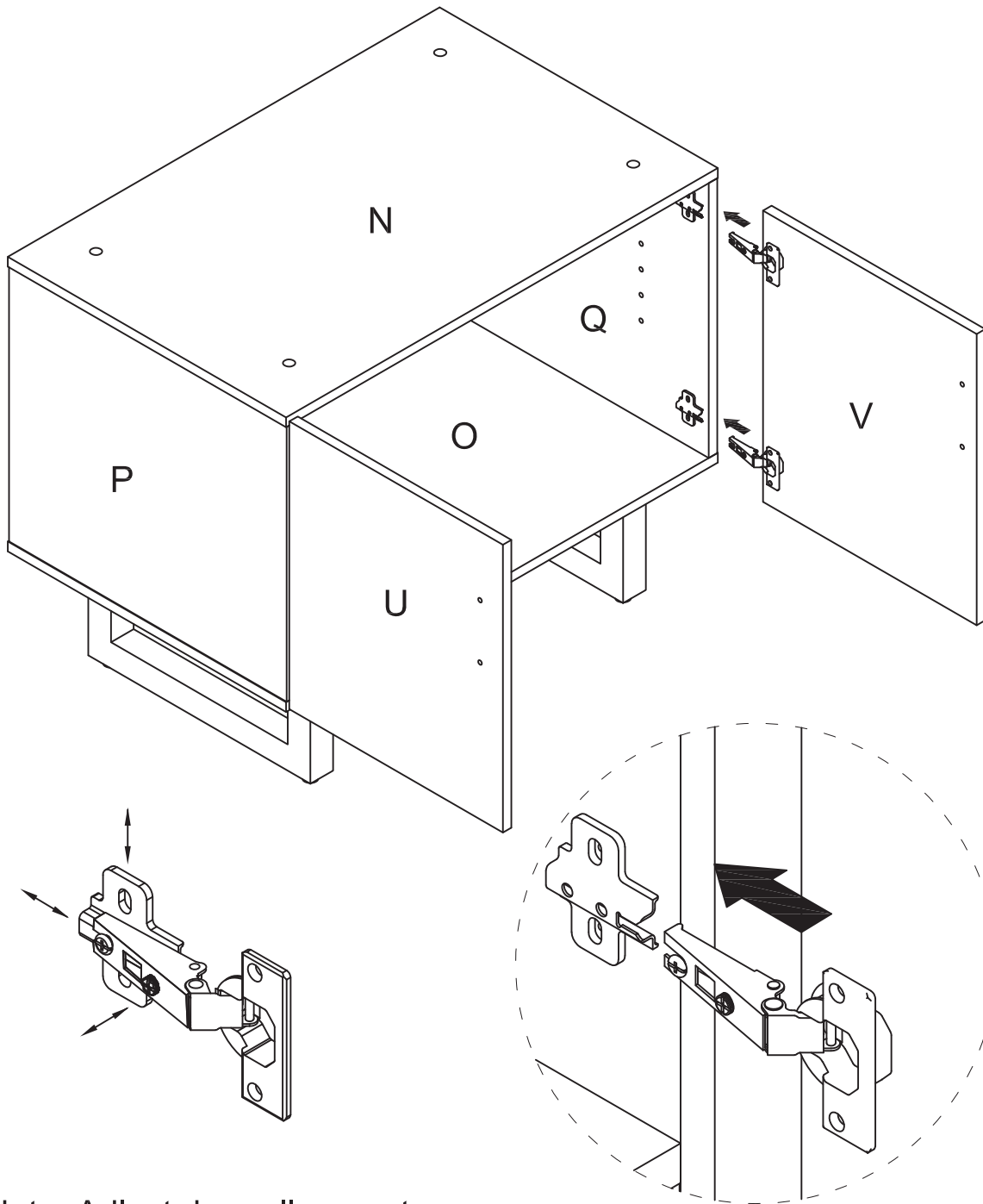
- ③ Lock the Metal Plate (A) and U Shape Base (B) by using Screw (D);



- ④ Use the Screw (E) to attach the Base (B) to the Bottom of the Cabinet;

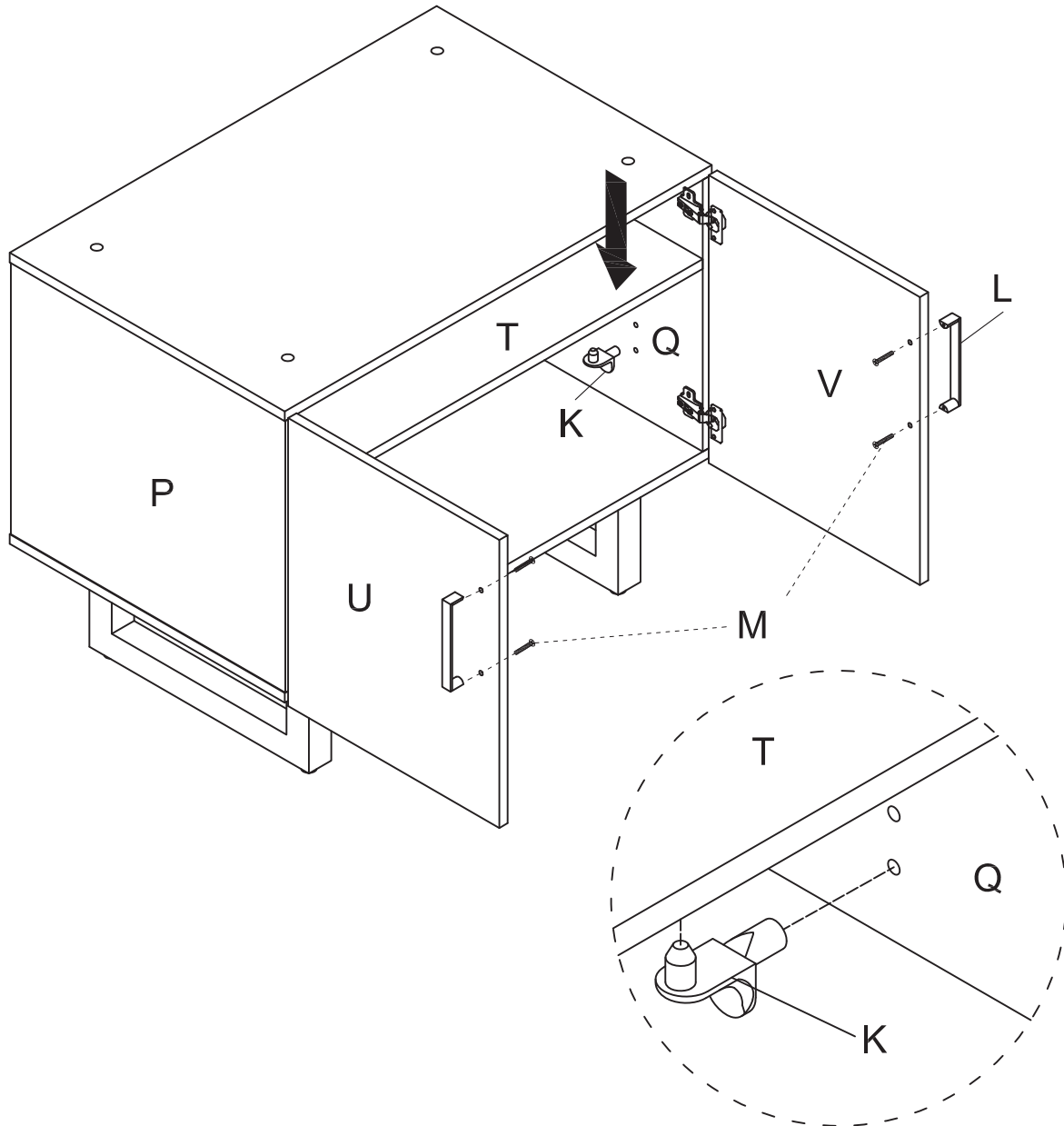


**5** Install the Door (U & V) to the Cabinet;



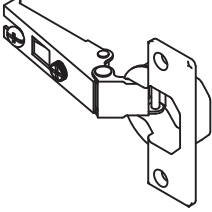
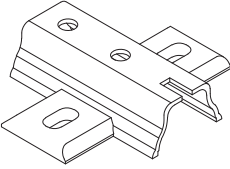
Note: Adjust door alignment as necessary by using the adjustment screws on the hinges.

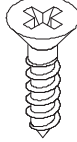
- 6** Insert the Shelf Support (K) to the Side Panel (P&Q), Put the Adjustable. Shelf (T) on the Shelf Support (K); Use the Screw (M) to attach the Handle (L) on the Door.





# Pre-Installed Replacement Parts List

Part	Included Qty.
 Hinge-Overlay	4
 Hinge Plate Overlay	4

Part	Included Qty.
 Ø4X14mm White	16

