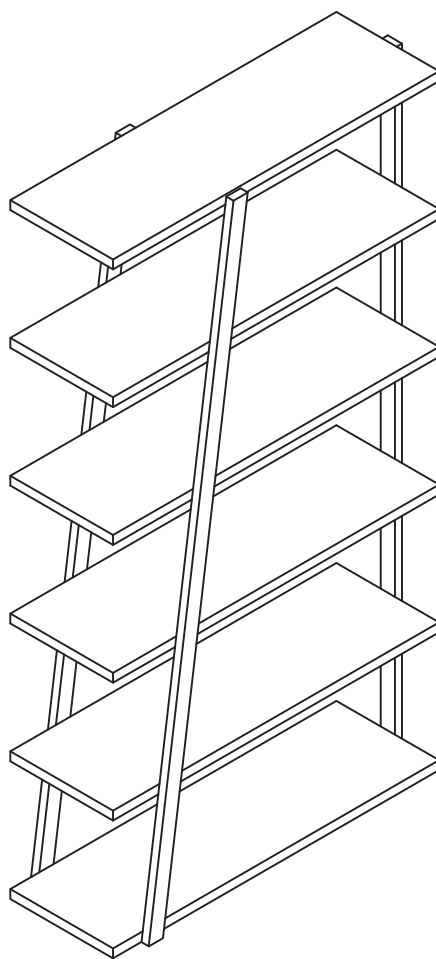


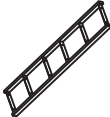

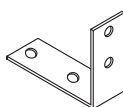




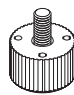
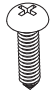
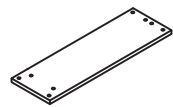
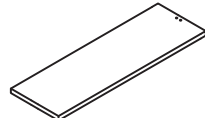
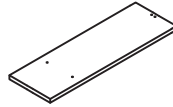
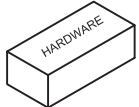
Mirella Series
5 Shelf Bookshelf
Model No. MRBS5



For questions or concerns, please call 1-888-971-6225 available
Monday-Friday 7:30 AM to 5:00 PM (Central Time)
(English-speaking operators)

PARTS LIST

Name	Part	Qty.	Spare Qty
A	 Metal Frame	1	
B	 Metal Frame	1	
C	 100*70*38*4mm HB	1	
D	 M4*20mm HB	8	1
E	 M6*15mm HB	16	1

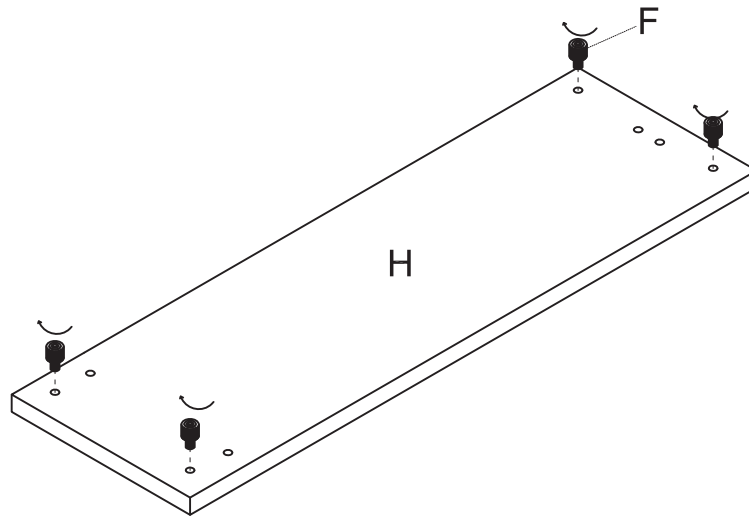
Name	Part	Qty.	Spare Qty
F	 Leveler HB	4	
G	 M5*20mm HB	2	1
H	 Bottom Panel	1	
I	 Fixed Shelf	4	
J	 Top Panel	1	
	 MRBS5HB		

IMPORTANT!

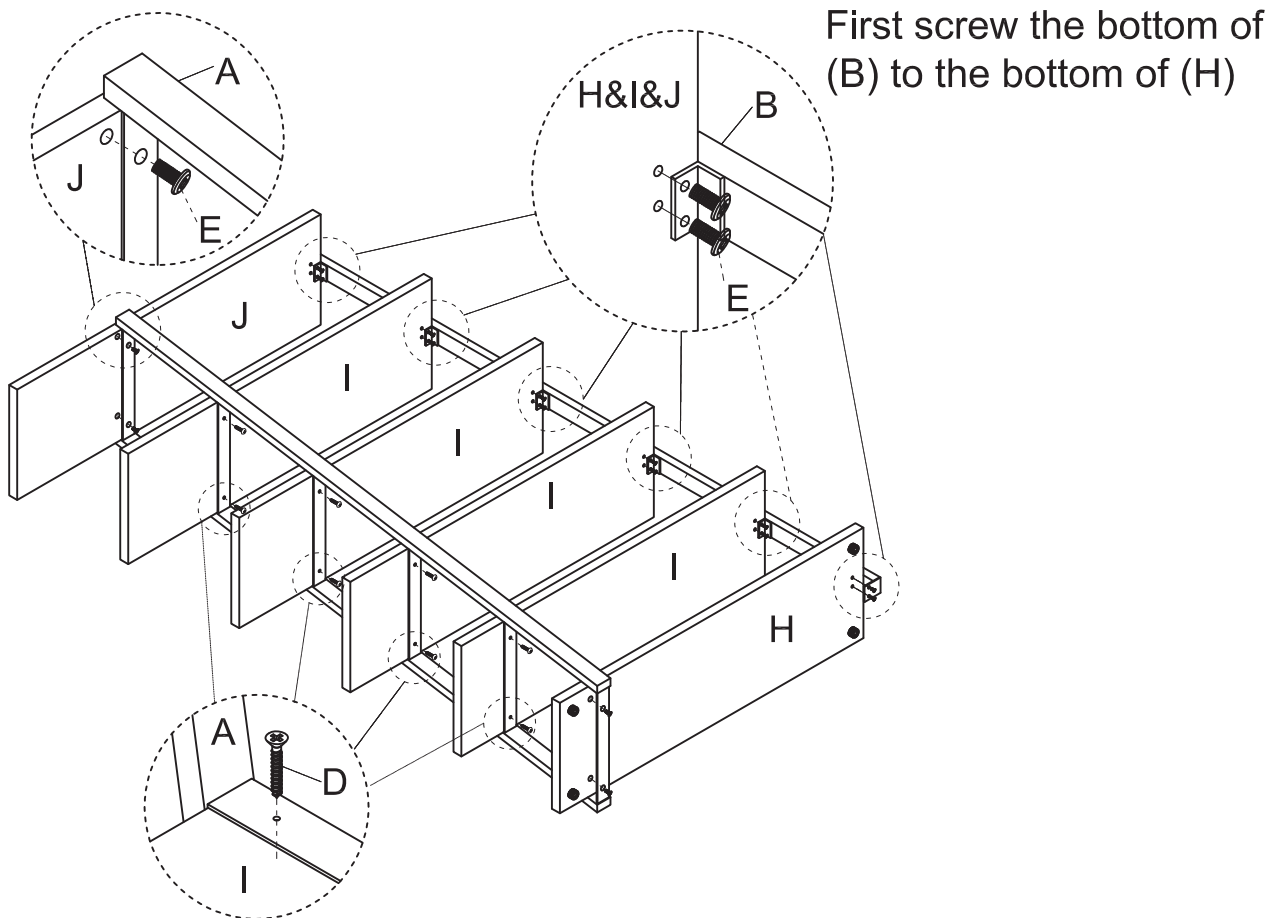
Review ALL instructions before beginning assembly. These instructions are provided to avoid problems that may occur from improper assembly or installation. SAFCO and/or its distributor are not responsible for failure resulting from improper assembly or installation of this product. Moreover, all warranties are void for failure to follow these assembly instructions.

Items with HB are in hardware box.

1 Attach the Leveler (F) to the Bottom Panel (H)



2 Use the Screw (E) to install the Top Panel (J) and Bottom Panel (H) to the Metal Frame (A&B), Use the Screw (E) to install the Shelves (I) on the Metal Frame (B), and Screw (D) to install the Shelves (I); Do not tighten screws until all shelves are aligned.



- ③ Due to the various wall construction methods, It is up to a professional installer to secure the Mounting Bracket to the wall with the proper fasteners and/or anchors as required by the wall construction at the desired mounting location. SAFCO does not take responsibility for safe, proper fastening.

Using Screws (G) to install the Mounting Bracket (C) to the Top Panel (J).

