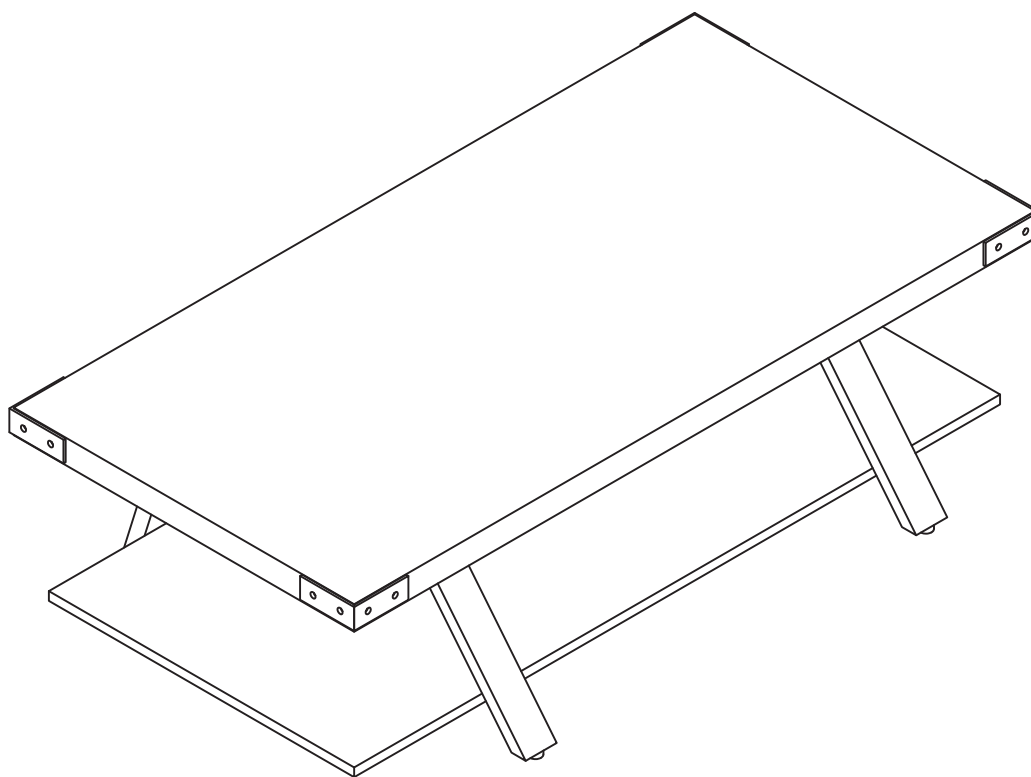


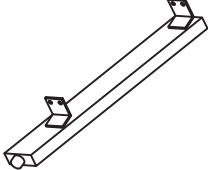
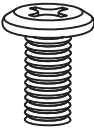
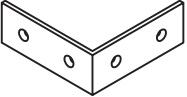



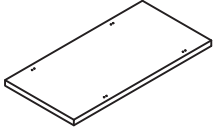
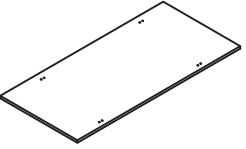
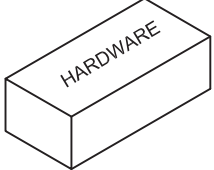
Mirella Series
Coffee Table
Model No. MRCFT



For questions or concerns, please call 1-888-971-6225 available
Monday-Friday 7:30 AM to 5:00 PM (Central Time)
(English-speaking operators)

PARTS LIST

Name	Part	Qty.	Spare Qty
A	 Leg	4	
B	HB  M6*15mm	16	1
C	HB  100*100*38*4mm	4	
D	HB  M4*14mm	16	1

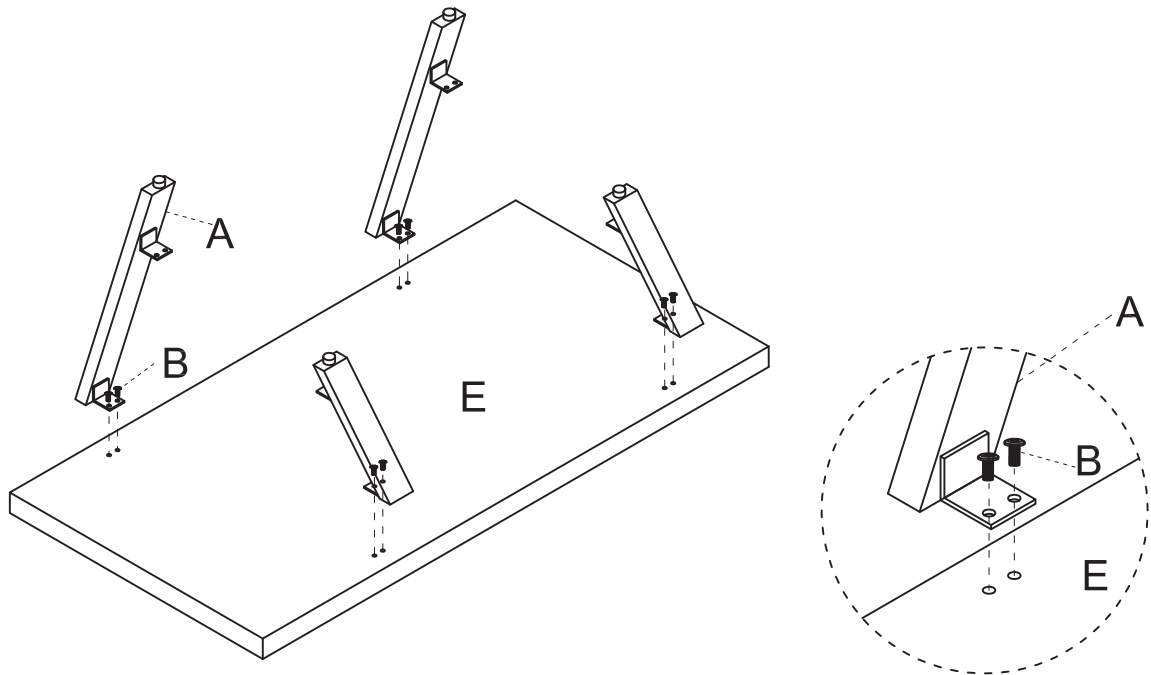
Name	Part	Qty.	Spare Qty
E	 Top Panel	1	
F	 Shelf Panel	1	
	 MRCFTHB		

Items with HB are in hardware box.

IMPORTANT!

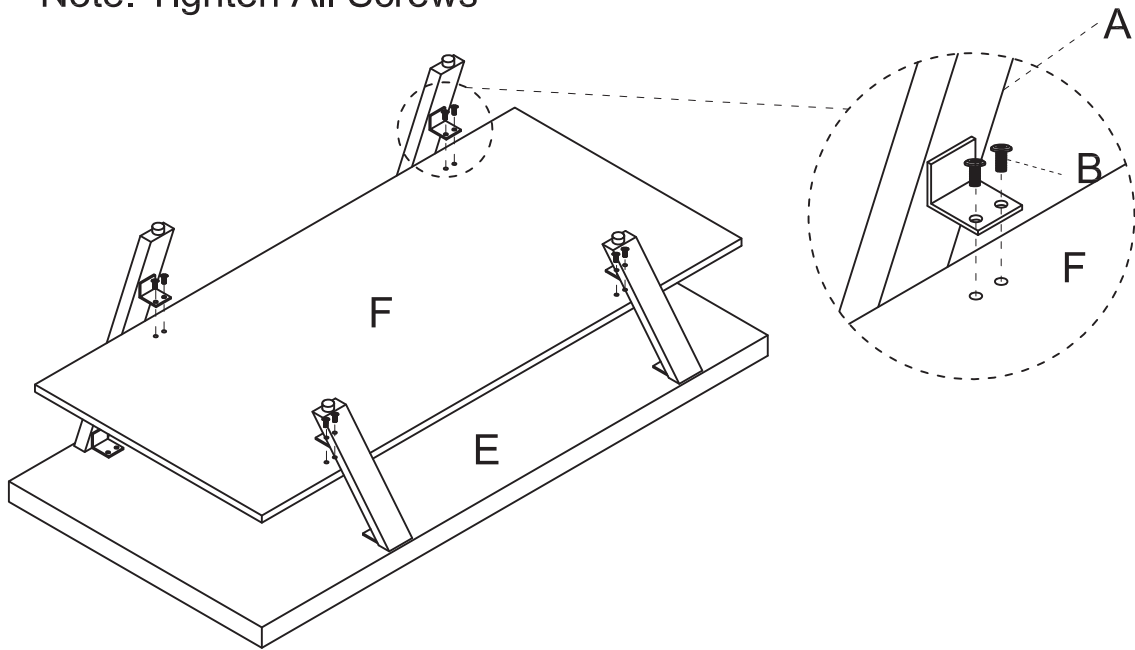
Review ALL instructions before beginning assembly. These instructions are provided to avoid problems that may occur from improper assembly or installation. SAFCO and/or its distributor are not responsible for failure resulting from improper assembly or installation of this product. Moreover, all warranties are void for failure to follow these assembly instructions.

- 1 Use the Screw (B) to install the Leg (A) to the Top Panel (E);
Note: Do Not Tighten Screws



2 Use the Screw (B) to install the Shelf (F) to the Leg (A);

Note: Tighten All Screws



3 Use the Screw (D) to install the L Bracket (C) to the Top (E).

