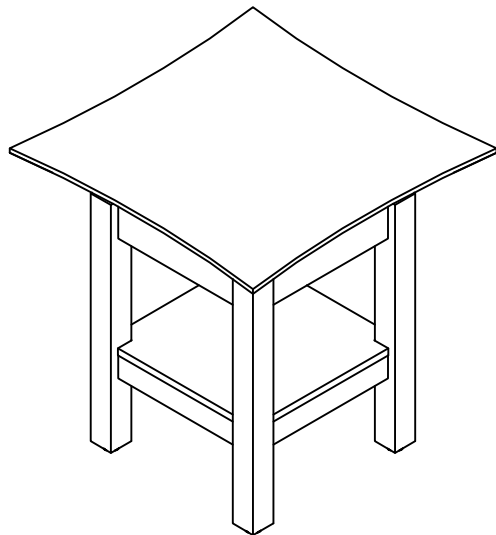




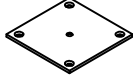



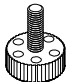




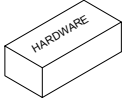
Sterling Series™
24" End Table
Model No. STET



ASSEMBLY INSTRUCTIONS



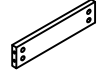
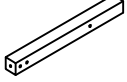
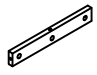
CALL 1-800-822-8037 FOR ASSISTANCE

PARTS LIST

| Name | Part | Qty. | Spare Qty. | Name | Part | Qty. | Spare Qty. |
|----------|--|-----------|------------|----------|--|-----------|------------|
| A |  REALS612 Mounting Plate | 4 | | F |  REALS617** Cam Sticker | 28 | 1 |
| B |  REALS603 M6x15mm | 16 | 1 | G |  REALS607 Ø32mm Base Stand-off | 4 | |
| C |  REALS425 Leveler | 4 | | H |  REALS206 M6x15mm | 4 | 1 |
| D |  REALS003 Cam Post | 28 | 1 | I |  REALBY028 Wrench 4mm | 1 | |
| E |  REALS001 Cam Lock | 28 | 1 | |  STETHB | | |

Items with HB are in hardware box.

PARTS LIST

| Name | Part | Qty. | Name | Part | Qty. |
|----------|--|----------|----------|--|----------|
| J |  STET** Top | 1 | M |  STETM** Shelf Panel | 1 |
| K |  STETK** Modesty Panel | 4 | N |  STETN** Leg | 4 |
| L |  STETL** Modesty Panel | 4 | | | |

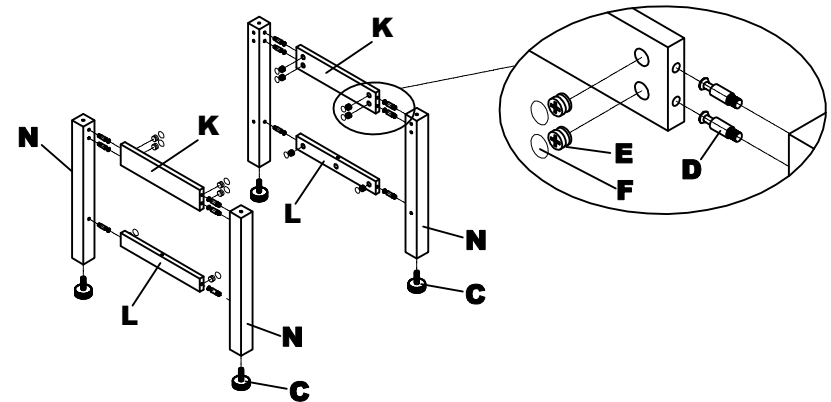
**Denotes Color Code

2

IMPORTANT!

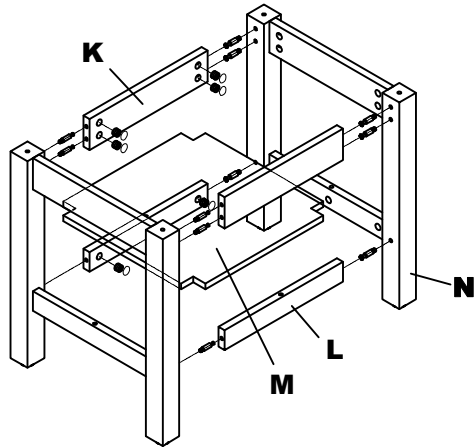
Review ALL instructions before beginning assembly. These instructions are provided to avoid problems that may occur from improper assembly or installation. Mayline and/or its distributor are not responsible for failure resulting from improper assembly or installation of this product. Moreover, all warranties are void for failure to follow these assembly instructions.

- 1** Insert Cam Post (D) into Leg (N). Install Cam (E) Modesty Panel (L&K). Attach Modesty Panel (L&K) to assembled end table Base by turning Cams (E). Apply Cam Stickers (F) to Cams (E) of Modesty Panel (L&K). Install Levelers (C) into threaded inserts in underside of Leg (N).

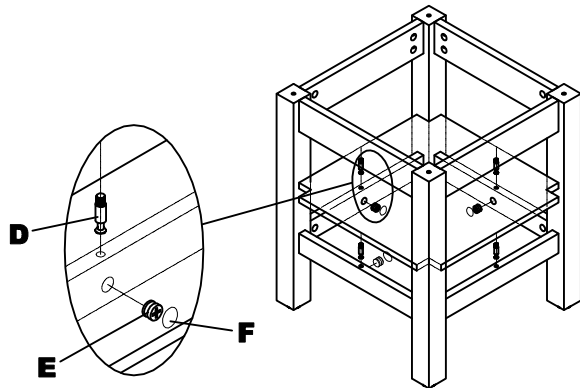


3

- 2** Insert Cam Post (D) into Leg (N). Install Cam (E) Modesty Panel (L&K). Attach Modesty Panel (L&K) to assembled end table Base by turning Cams (E). Apply Cam Stickers (F) to Cams (E) of Modesty Panel (L&K).

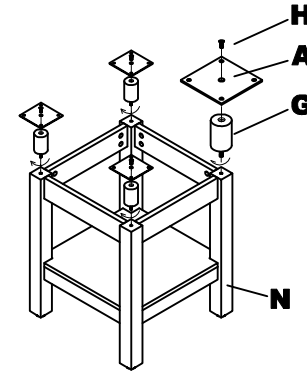


- 3** Insert Cam Post (D) into Shelf Panel (M). Install Cam (E) Modesty Panel (L). Attach Modesty Panel (L) to assembled end table Base by turning Cams (E). Apply Cam Stickers (F) to Cams (E) of Modesty Panel (L).

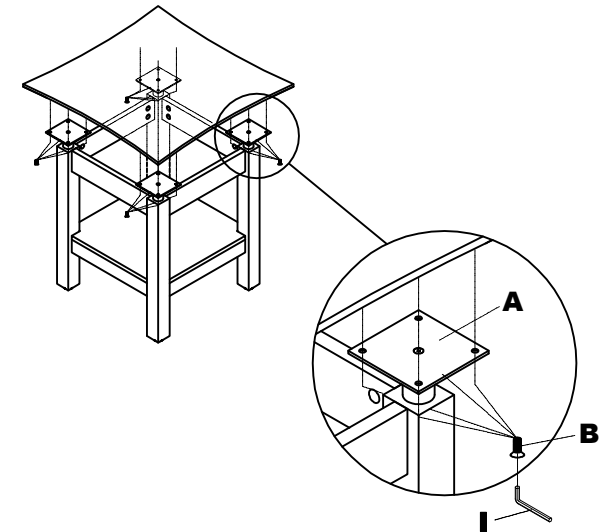


4

- 4** Install Base Stand-off (G) into threaded inserts in upperside of Leg (N). Install Mounting Plate(A) into Base Stand-off (G) by using Screws (H).



- 5** Install the Mounting Plate(A) to the underside of Top (J) using Screws (B) and Wrench (I).



5