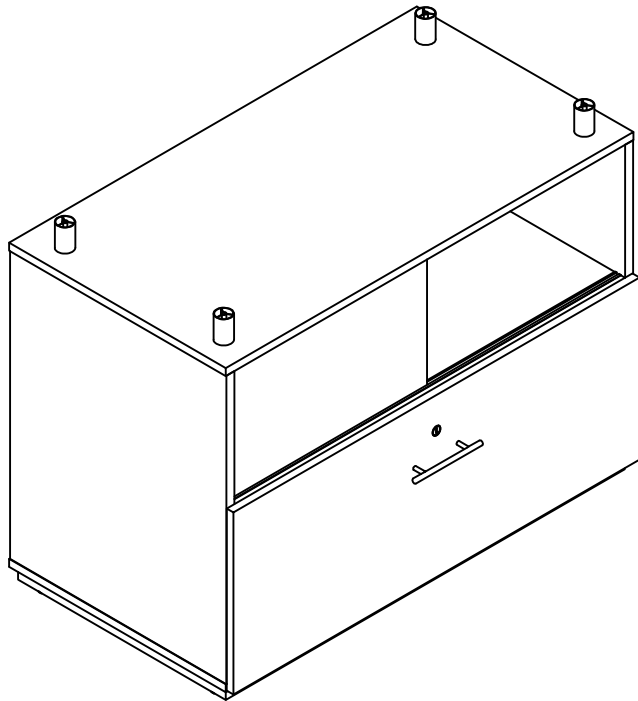


MAYLINE

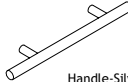




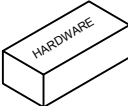
Sterling Series™
1 Drw Lateral File
Model No. STECC



ASSEMBLY INSTRUCTIONS

CALL 1-800-822-8037 FOR ASSISTANCE

PARTS LIST

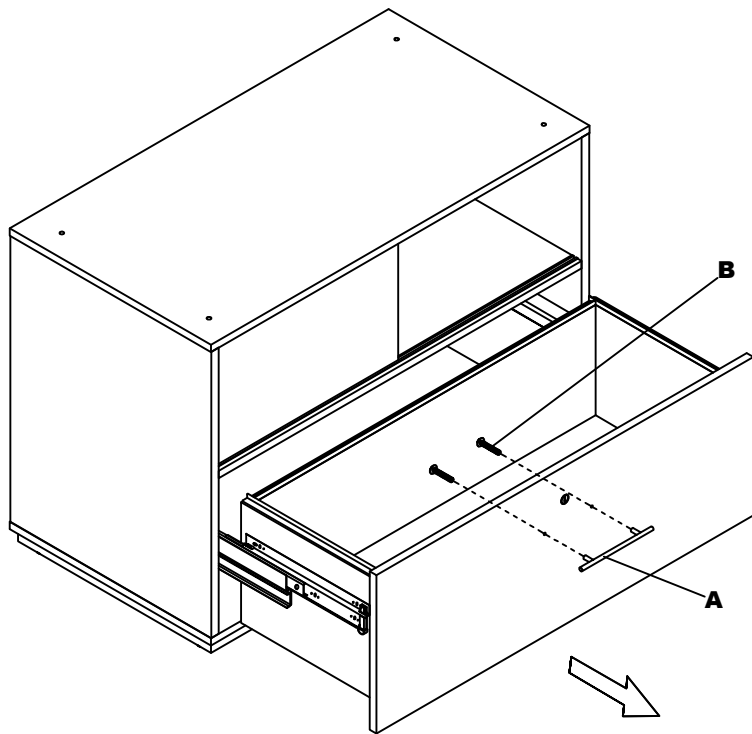
Name	Part	Qty.	Name	Part	Qty.
A	 Handle-Silver 96mm Center	1	D	 REALS606 M6 x 25mm	5
B	 Handle Screw M4x22mm White	3	E	 Keys	1
C	 REALS607 Ø32*50mm Base Stand-off	4		 STELFCHB	

Items with HB are in hardware box.

IMPORTANT!

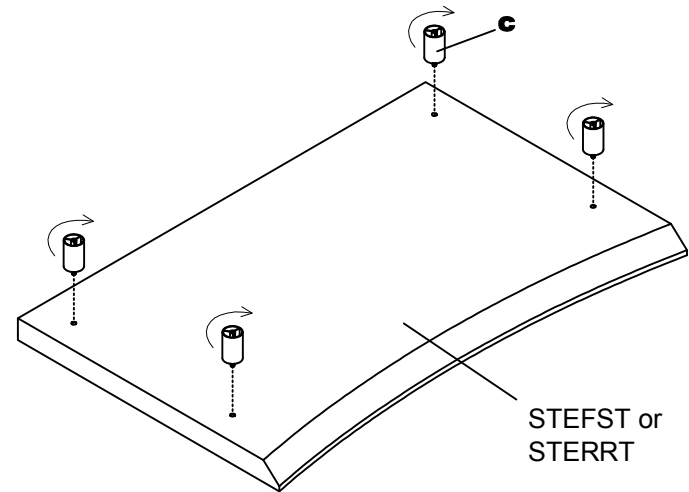
Review ALL instructions before beginning assembly. These instructions are provided to avoid problems that may occur from improper assembly or installation. Mayline and/or its distributor are not responsible for failure resulting from improper assembly or installation of this product. Moreover, all warranties are void for failure to follow these assembly instructions.

- ① Attach Handles (A) to the Fronts of Drawer using Screws (B).

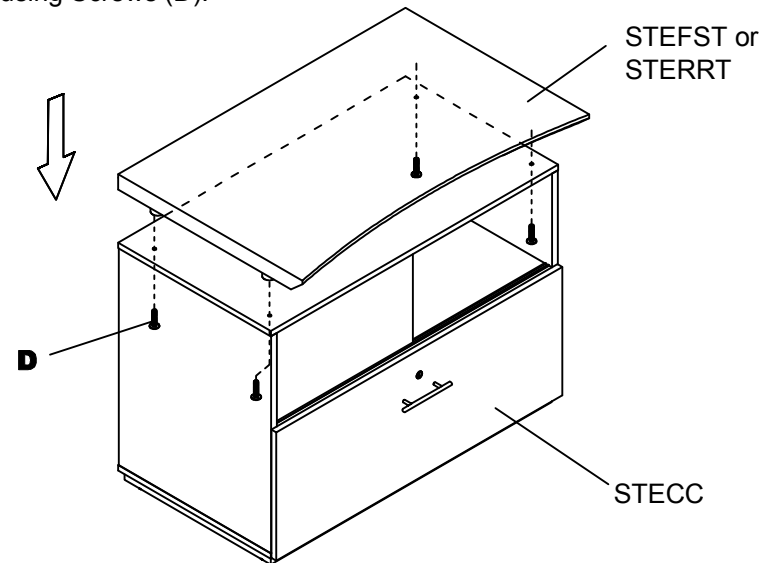


2

- ② Install Base Stand-off (C) into threaded inserts in underside of Top(STEFST).

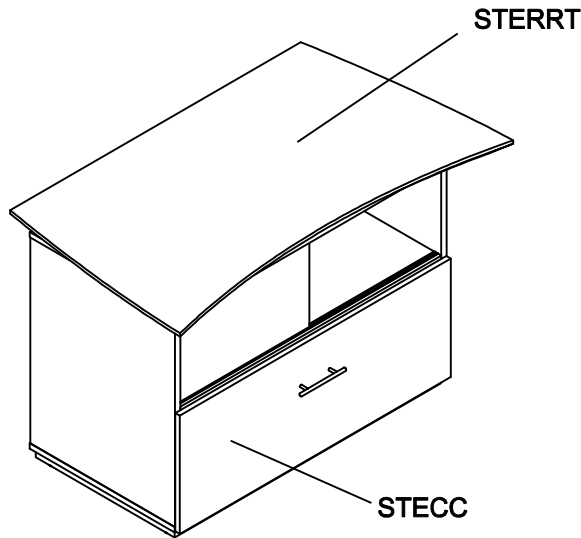
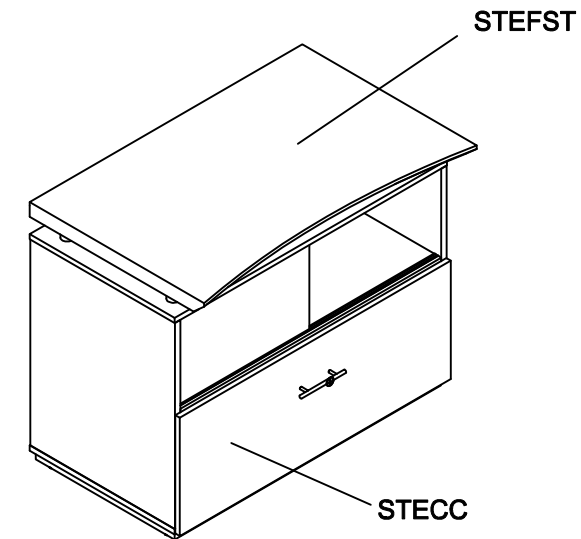


- ③ Install the STECC to the underside of STEFST or STERRT Top using Screws (D).



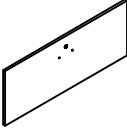
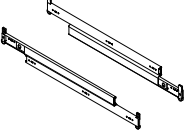
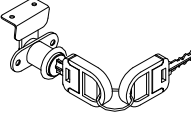
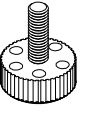
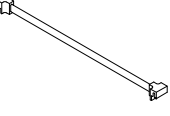

3

4 Finished.



4

Pre-Installed Replacement Parts List

Part	Included Qty.	Part	Included Qty.
 STECDF** Drawer Fronts, Set of 1	1	 REALS620 16" HD Drawer Slide	1
 REALS621 Lock w/ Key	1	 REALS425 Leveler	4
 REALS619 1 Bar w/2 Caps	2	 REALS104 Grommet	1

**Denotes Color Code

5