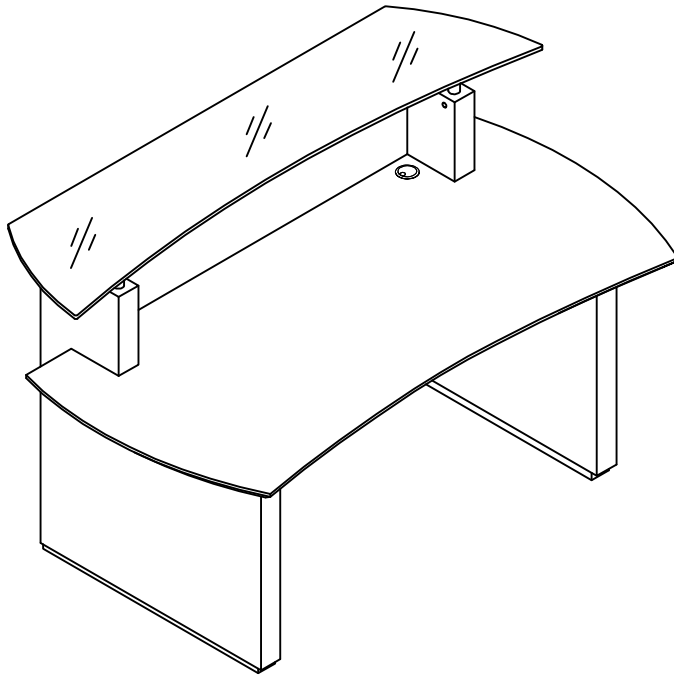








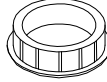
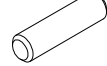
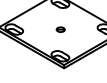
Sterling Series™
Reception Desk, 72"/96"
Model No. STRC72/96







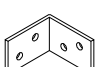


ASSEMBLY INSTRUCTIONS

CALL 1-800-822-8037 FOR ASSISTANCE

PARTS LIST





Name	Part	Qty.	Spare Qty
A	 REALS429 Leveler	6	
B	 REALS001 Cam	10	1
C	 REALS002 Cam Post	10	1
D	 REALS617** Cam Sticker	6	1
E	 REALS618** Cap	4	1
F	 REALS004 Wood Dowel	4	1
H	 REALS640 Mounting Plate	4	

Name	Part	Qty.	Spare Qty
I	 REALS607 Base Stand-off	9	
J	 REALS206 M6x15mm Black	4	1
K	 REALS603 M6x15mm	16	1
L	 REALS604 Round Clamp	1	
M	 REALS071 M6x20mm	1	1
N	 REALBY028 Wrench 4mm	1	
O	 REALS088 Mntg Bracket	2	

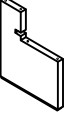

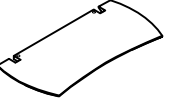
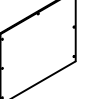

Items with HB are in hardware box.

**Denotes Color Code

PARTS LIST

Name	Part	Qty.	Spare Qty	Name	Part	Qty.	Spare Qty
P	 REALS005 Ø4 x 16mm Black	8	1	Q	 REALS641 M6 x 15mm Black	5	1
Q1	 REALS087 Grommet	2			 STRCHB		

PARTS LIST

Name	Part	Qty.	Name	Part	Qty.
R	 STERLR** Left Leg	1	S	 STERLS** Right Leg	1
T	 STERDT~~** Top	1	U	 STEM~~** Modesty Panel	1
V	 STERGL~~ Glass Top	1			

Items with HB are in hardware box.

**Denotes Color Code

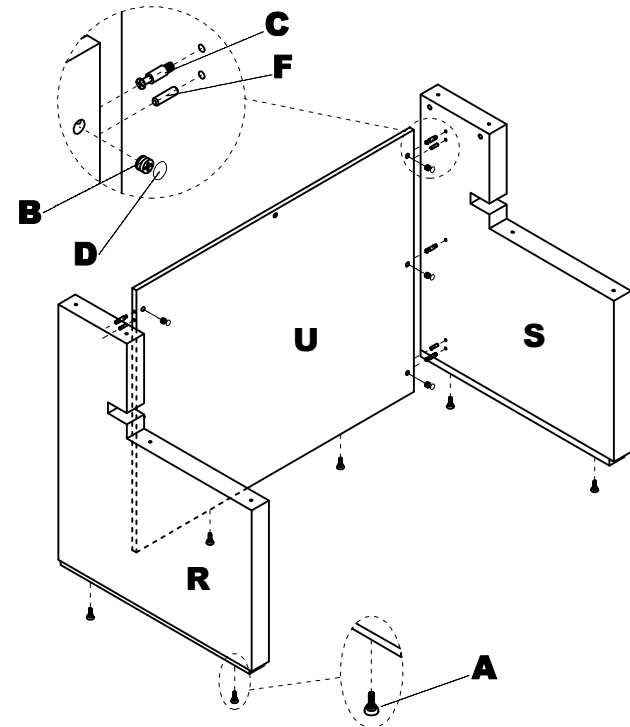
~~Denotes Size-72/96

2

IMPORTANT!

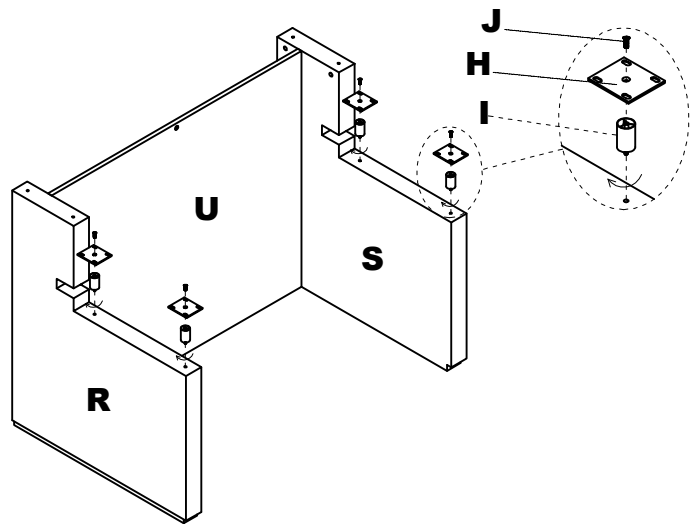
Review ALL instructions before beginning assembly. These instructions are provided to avoid problems that may occur from improper assembly or installation. Mayline and/or its distributor are not responsible for failure resulting from improper assembly or installation of this product. Moreover, all warranties are void for failure to follow these assembly instructions.

- 1 Insert Cam Post (C) and Wood Dowel(F) into Legs (R&S). Install Cam (B) Modesty Panel(U) . Attach Modesty Panel(U) to assembled Reception Desk Base by turning Cams (B). Apply Cam Stickers (D) to Cams (B) of Modesty Panel(U) . Install Levelers (A) into threaded inserts in underside of Leg (R&S) and Modesty Panel(U) .

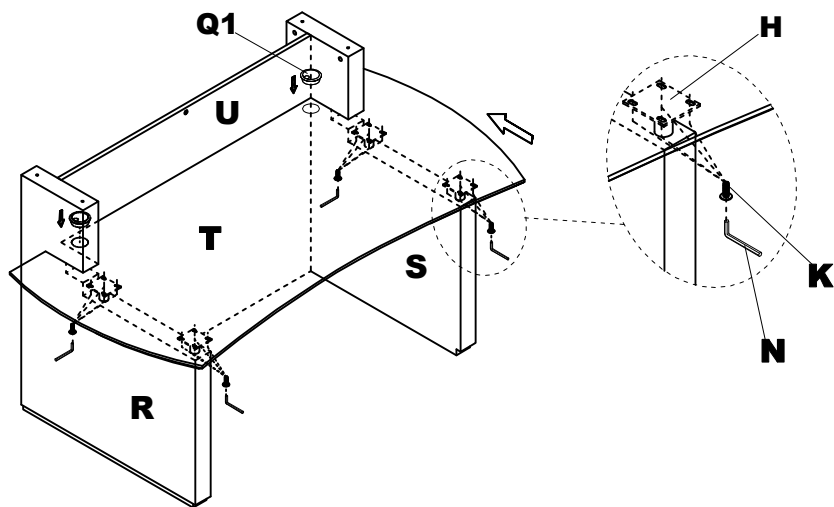


3

- 2** Install Base Stand-off (I) into threaded inserts in upperside of Leg (R&S). Install Mounting Plate(H) into Base Stand-off (I) by using Screws (J).

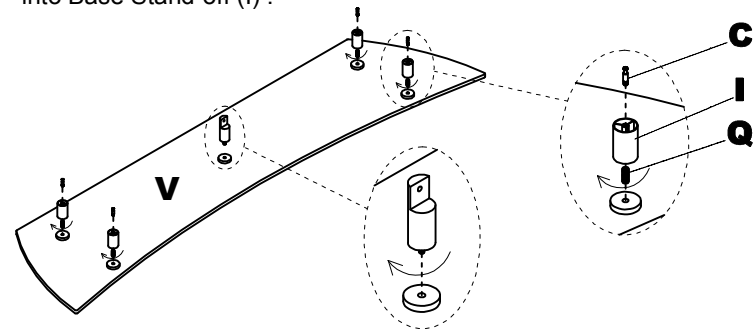


- 3** Insert Top(T) to Legs(R&S) , Install the Mounting Plate(H) to the underside of Top(T) using Screws (K) and Wrench (N). Insert Grommet (Q1) into Top(T) hole.

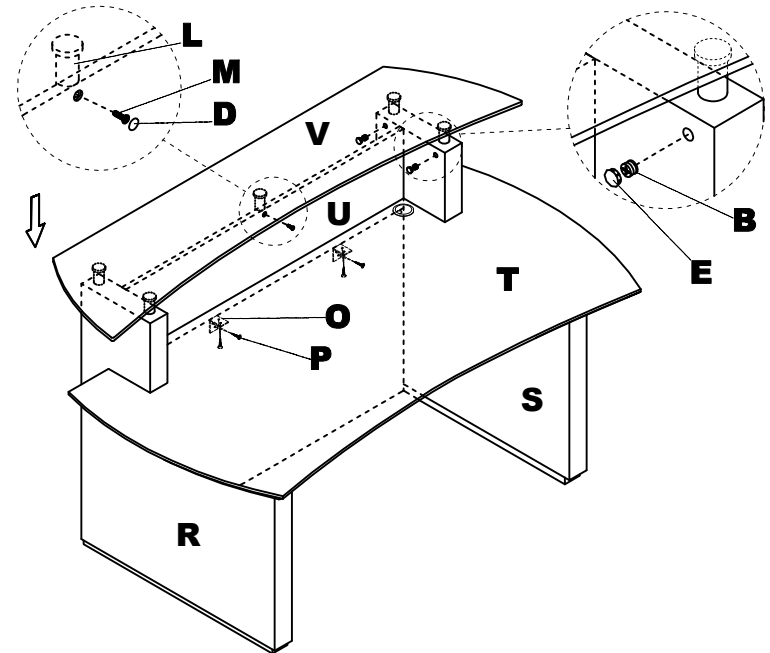


4

- 4** Install Screw (Q) into the bottom of Glass Top(V). Install Base Stand-off (I) and Round Clamp(L) into the bottom of Glass Top(V). Insert Cam Post (C) into Base Stand-off (I) .

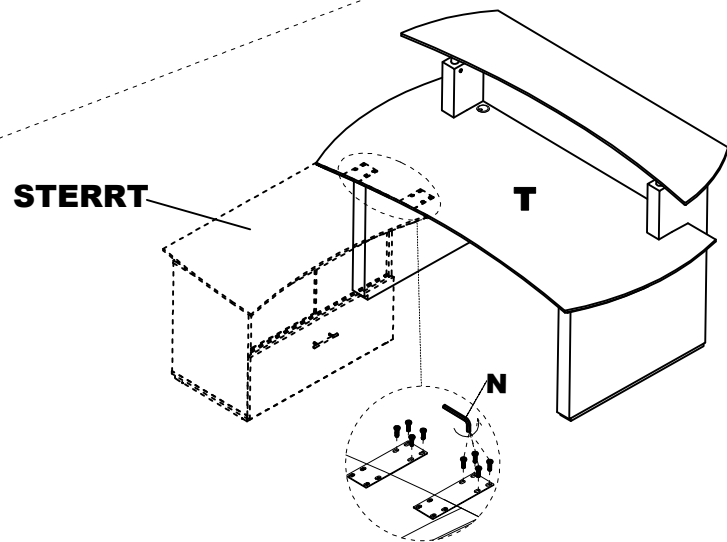
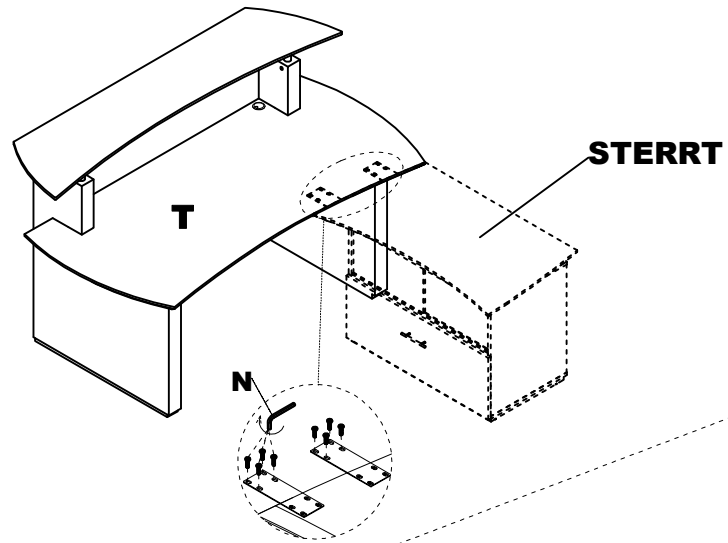


- 3** Install Cam (B) Legs(R&S) . Attach Glass Top(V) to assembled Reception Desk by turning Cams (B) . Apply Cam Cap (E) to Cams (B) of Legs(R&S). Install Screw(M) to Round Clamp(L) to fix the Modesty Panel(U) . Apply Cam Sticker (D) to Screw(M) of Modesty Panel(U) . Attach Mntg Bracket (O) to the Top and Modesty Panel using Screws (P) .



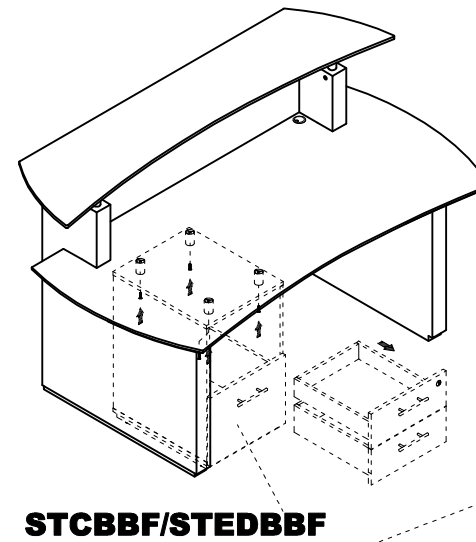
5

Attach Mounting Plates to the underside of adjacent Reception Desk Top(T) using Screws and Wrench(N).

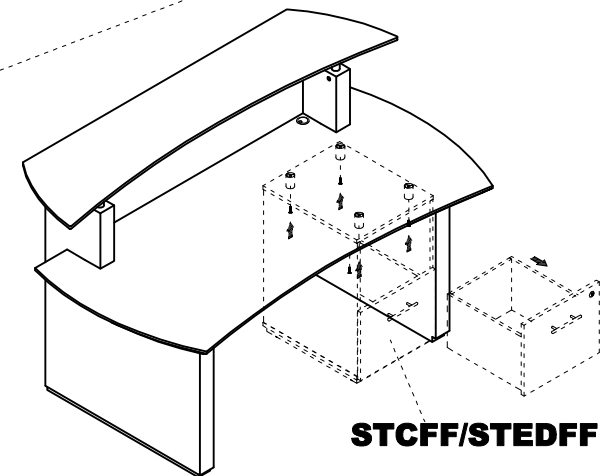


6

Base Top Spacer from Hardware of STDFF/STDBBF/STEDFF/STEDBBF



STCBBF/STEDBBF



STCFF/STEDFF

7