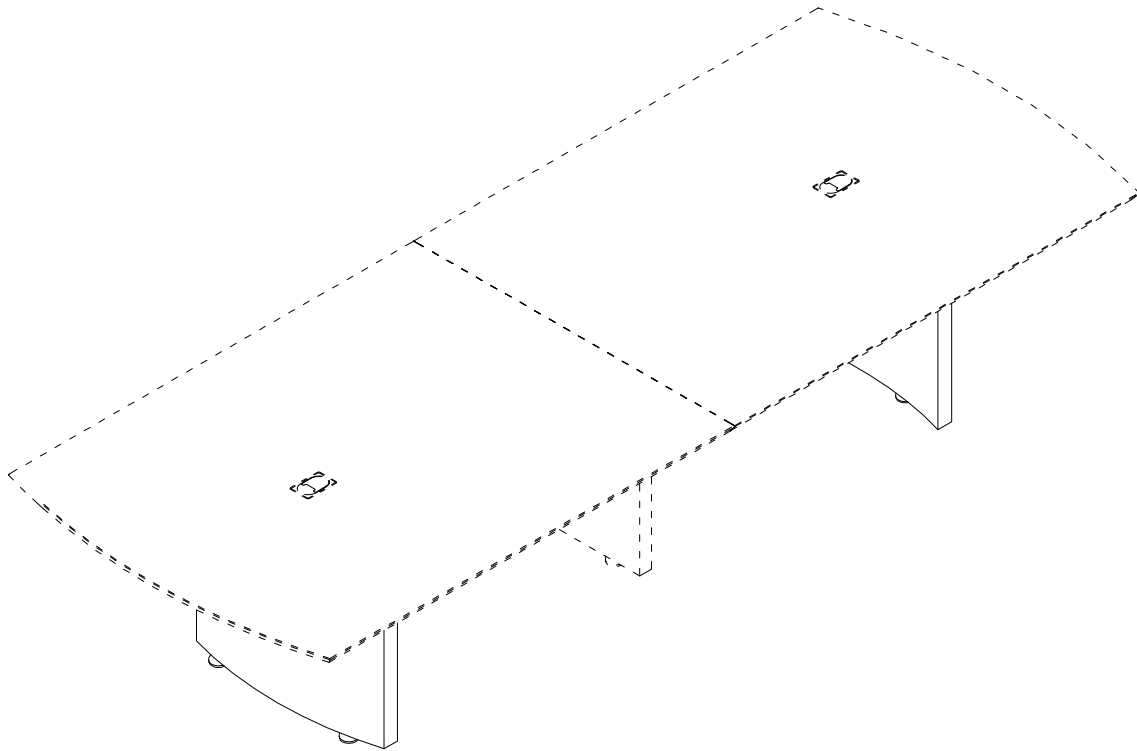


Tiffany Industries™  
A MAYLINÉ GROUP COMPANY

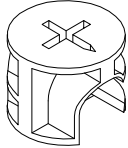


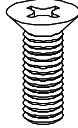

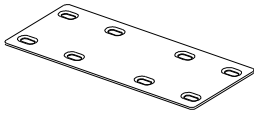
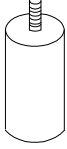
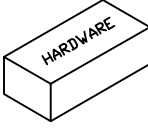
# Napoli Starter Legs Model No. NMTSB



## ASSEMBLY INSTRUCTIONS

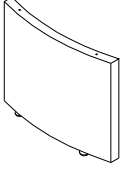
CALL 1-800-822-8037 FOR ASSISTANCE

# PARTS LIST

Name	Part	Qty.	Spare Qty	Name	Part	Qty.	Spare Qty
<b>A*</b>	 <p><b>REALS001</b> Cam Fastener</p>	<b>20</b>		<b>E</b>	 <p><b>REALS040</b> Stand-Off, 20mm</p>	<b>8</b>	
<b>B*</b>	 <p><b>REALS003</b> Cam Post</p>	<b>20</b>		<b>F*</b>	 <p><b>REALS043</b> M6x15mm</p>	<b>24</b>	
<b>C*</b>	 <p><b>REALS006**</b> Cam Plug</p>	<b>4</b>		<b>G*</b>	 <p><b>REALS036</b> Mounting Plate</p>	<b>3</b>	
<b>D</b>	 <p><b>REALS039</b> Stand-Off, 32mm</p>	<b>4</b>			 <p><b>NCB120HB</b></p>		


Items with HB are in hardware box.  
 \*For Individual Items, Order By Part Number.  
 \*\*Denotes Color Code

# PARTS LIST

Name	Part	Qty.
<b>H*</b>	 <b>NMTSB**</b> <b>Base</b>	<b>1</b>

---

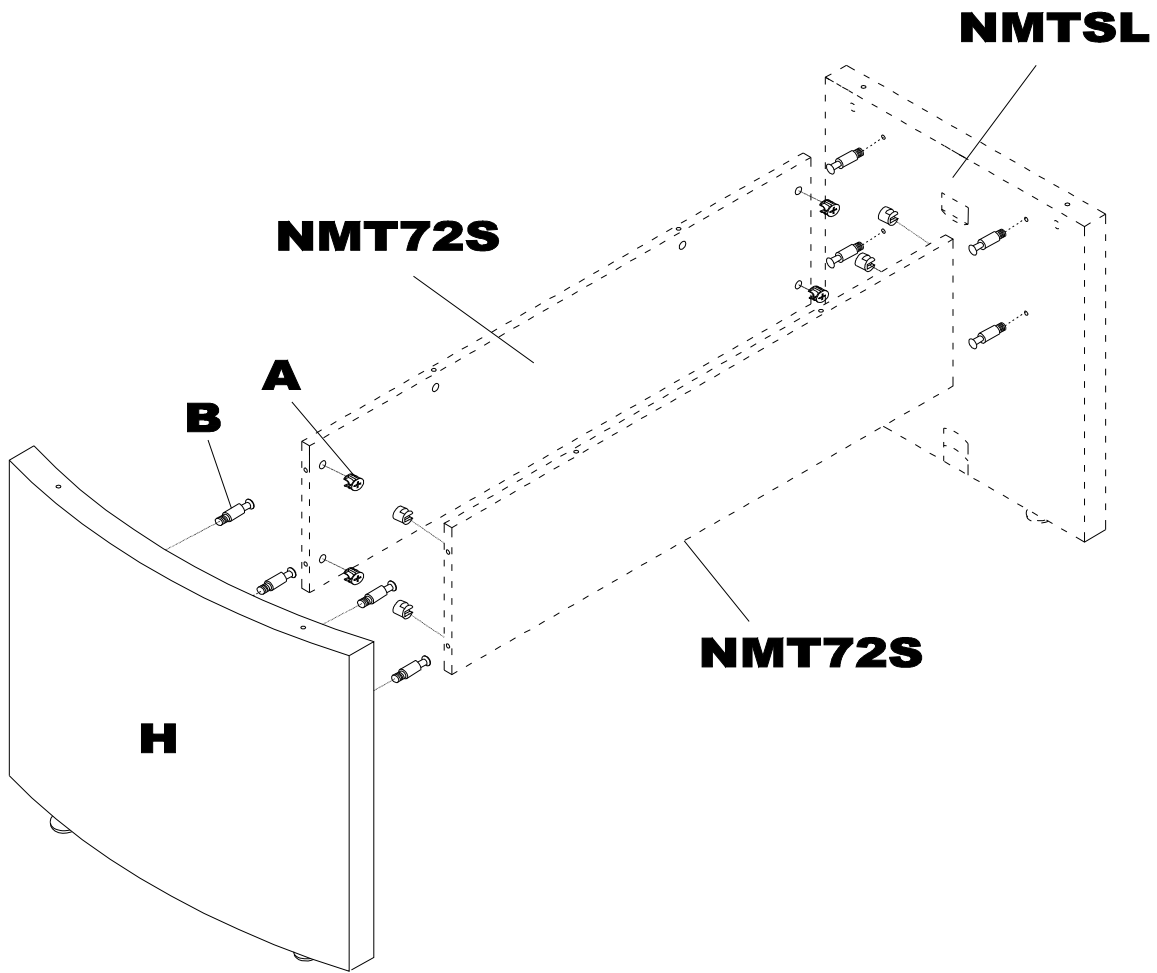
## Pre-Assembled Replacement Part List

Replacement #	Part	Qty.
<b>REALS067*</b>	 Leveler	<b>4</b>

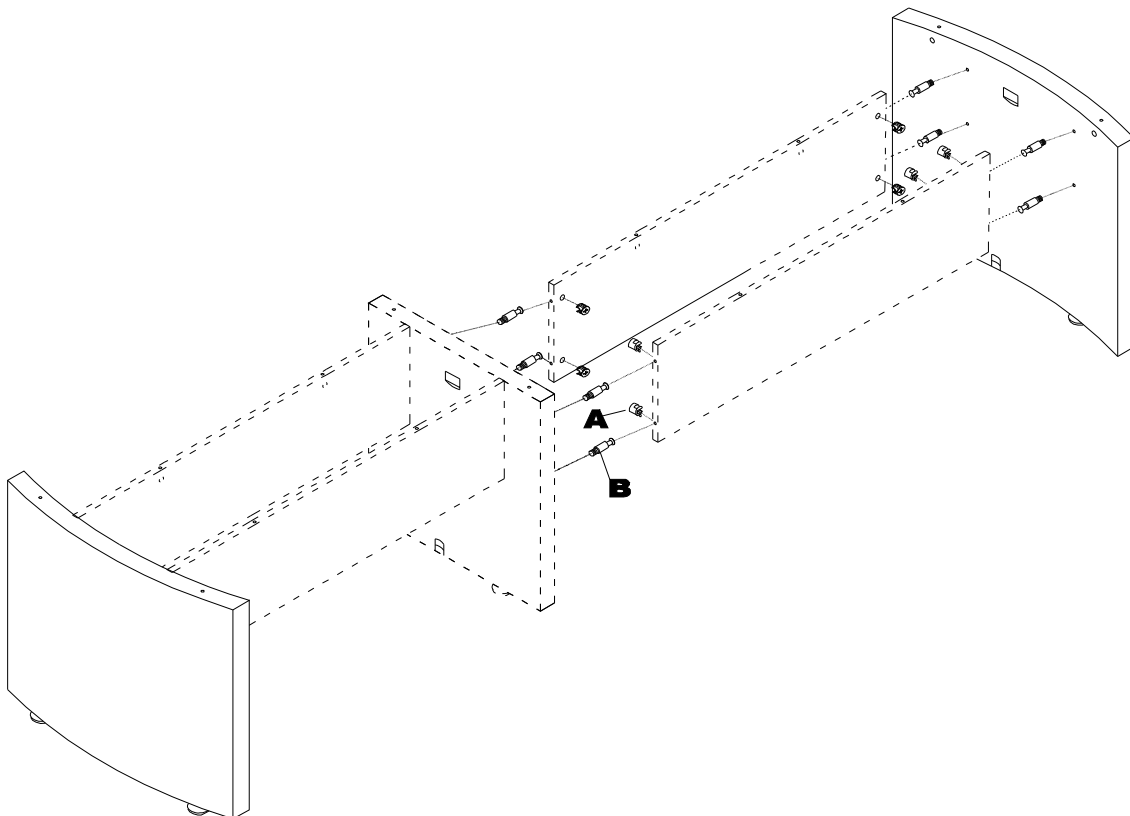
\*For Individual Items, Order By Part Number.

\*\*Denotes Color Code

1

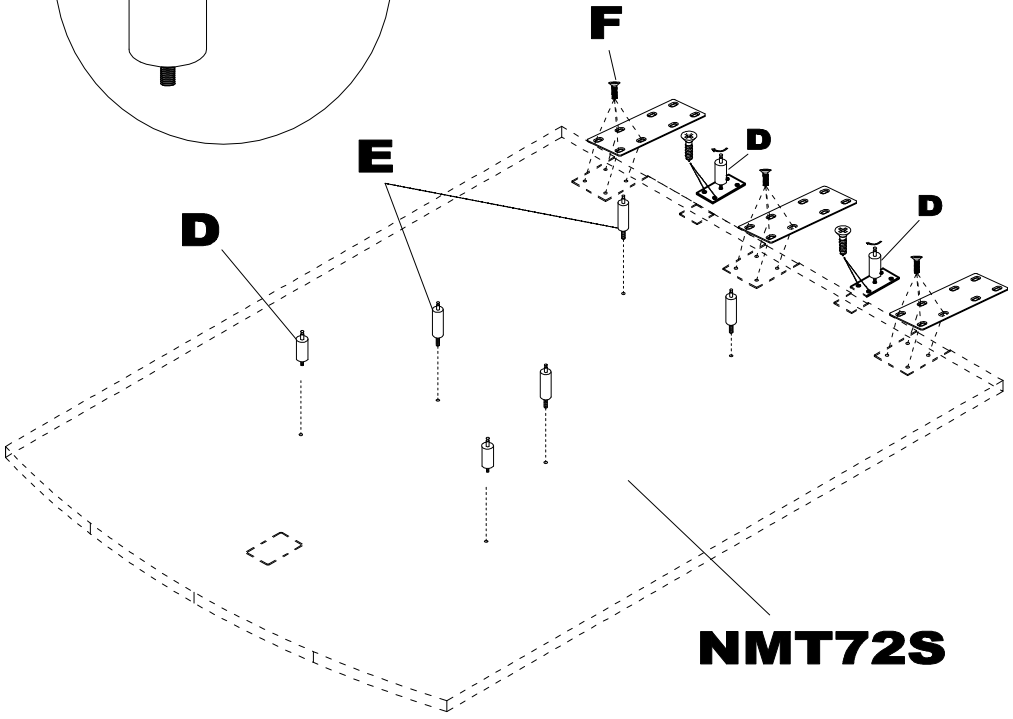
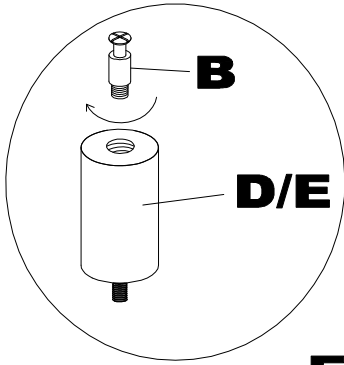


2

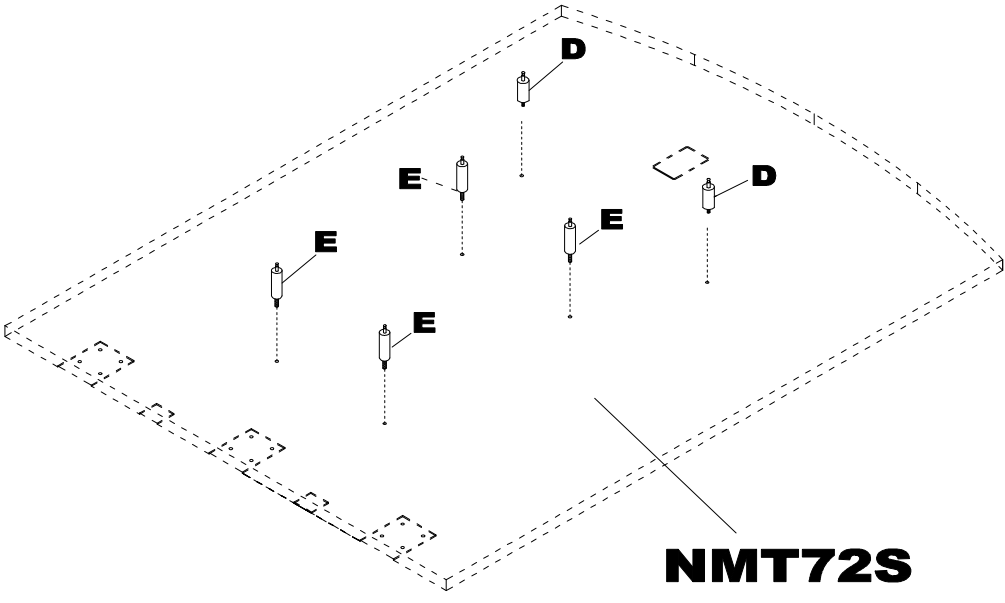


3

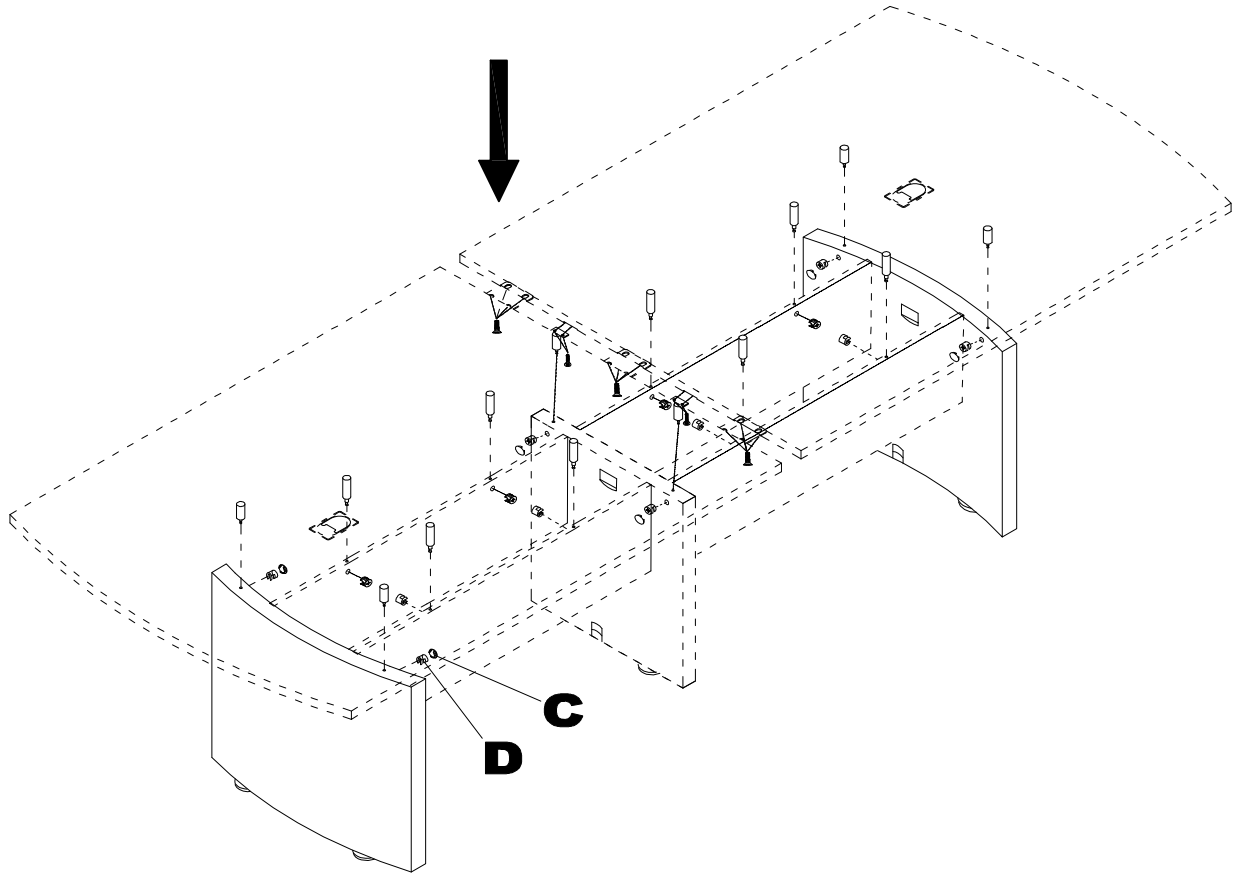
**3**

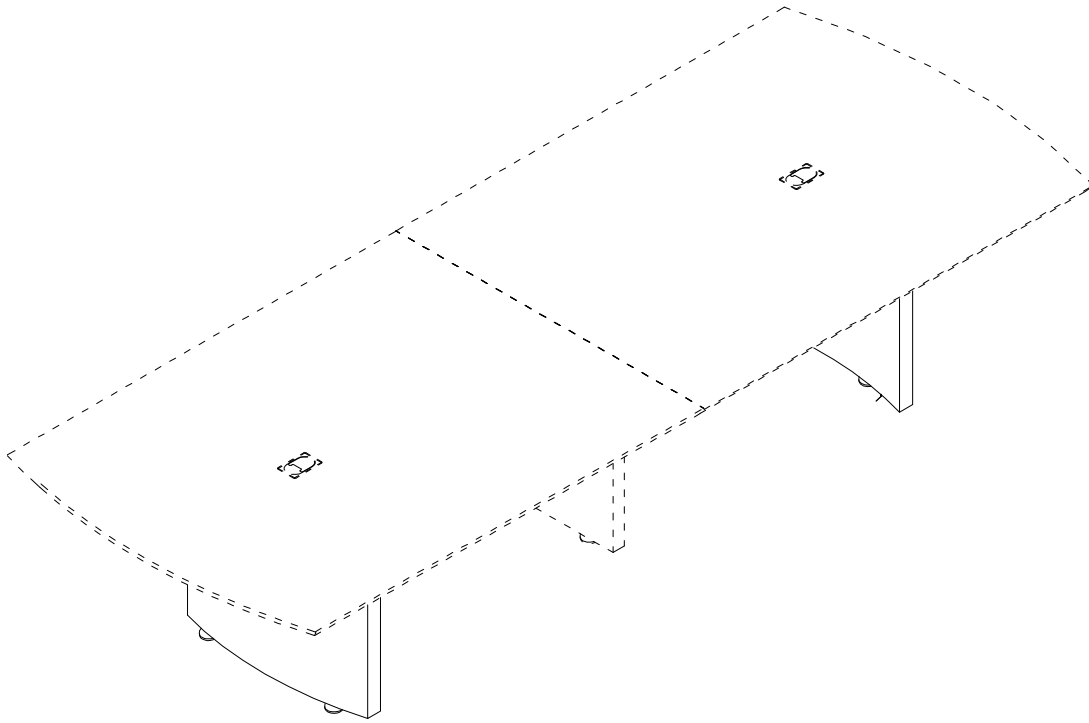


**4**



**5**





**OR**

