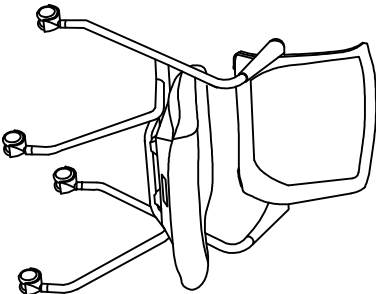


ASSEMBLY INSTRUCTIONS

VALORE[®] TRAINING SERIES MID-BACK CHAIR

MODEL NO. TSM2



PARTS LIST TSM2

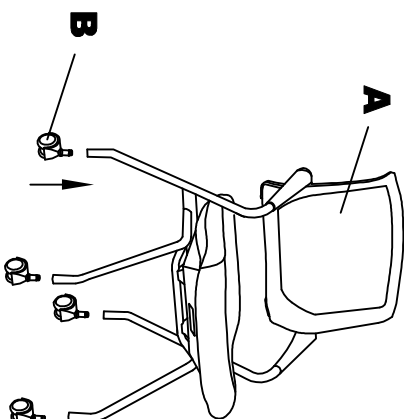
When ordering components, specific color and/or size information may be required.
 Contact a Mayline Customer Service Representative. 1-800-822-8037

* Individual Items. Order by part number.
 ** Denotes Color Code

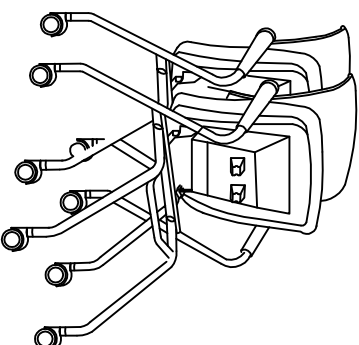
Reference Letter	Quantity
A	1
102043 Frame Protector	
102042 Leg Insert	
B *	4
Part Number 102041 Caster (each)	

Replacement Parts not included in assembly		Quantity
102042 *		4
Leg Insert		
102043 *		2
Frame protector		

1. Place Chair (A) upside down and push Casters (B) firmly into legs of chair



NESTING OPERATION
 1. Lift seat and insert front legs into rear legs.



MAYLINE[®]

Mayline Company, LLC
 619 N. Commerce, P.O. Box 728
 Sheboygan, WI 53082-0728
 Toll Free: 1-800-822-8037
 FAX: 920-457-7388
 On Line: www.mayline.com