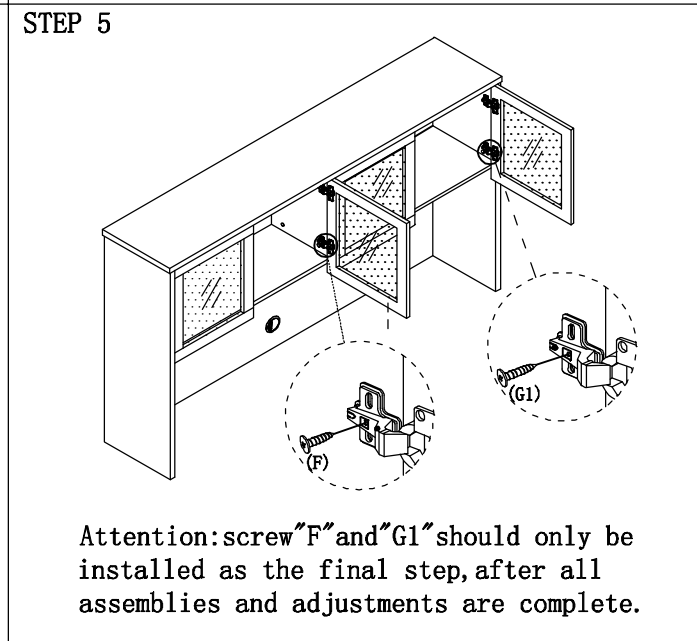
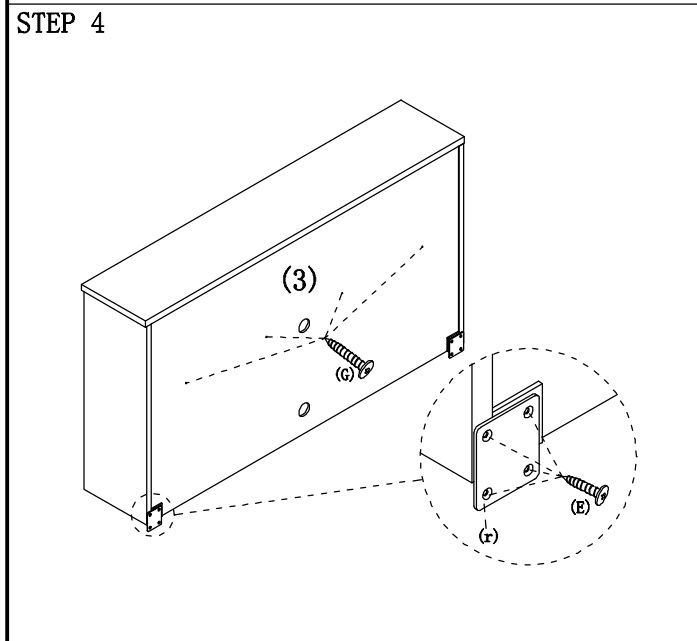
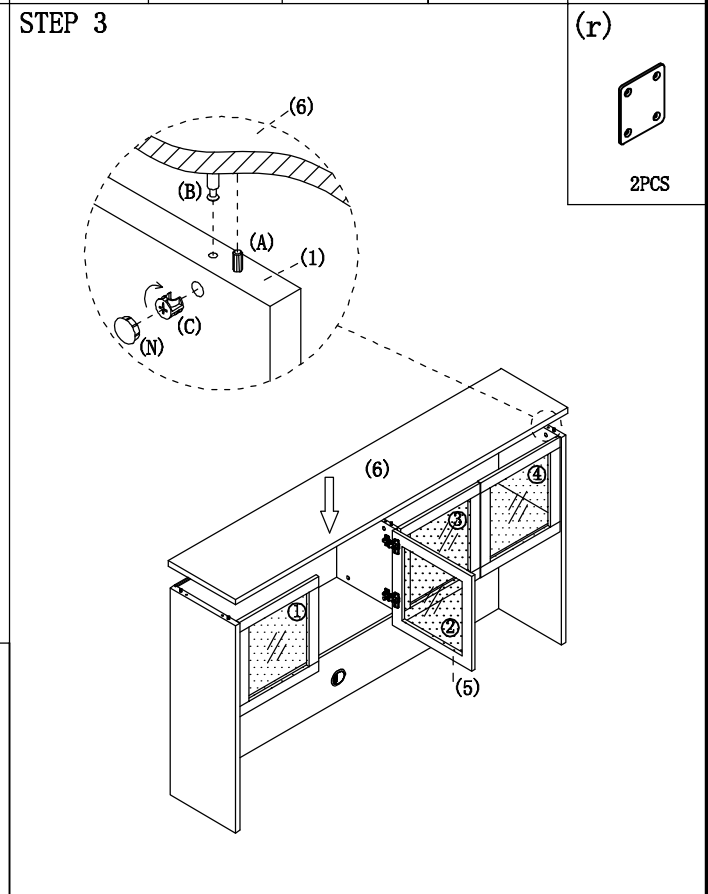
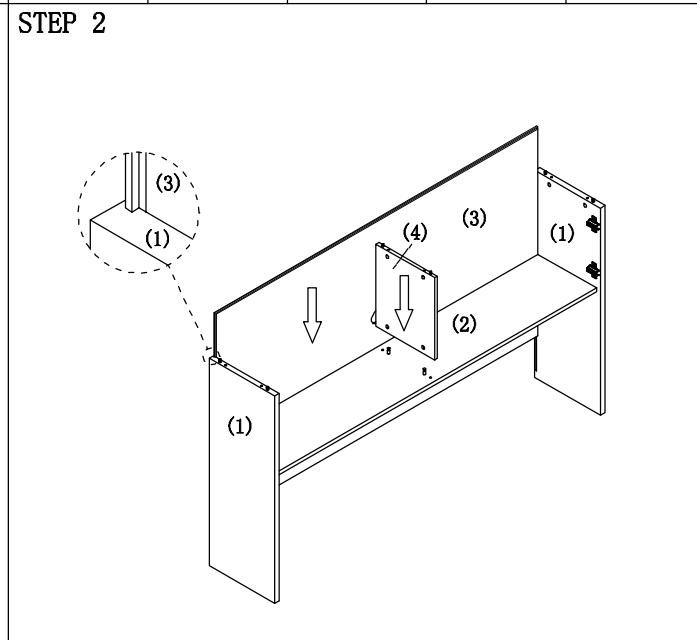
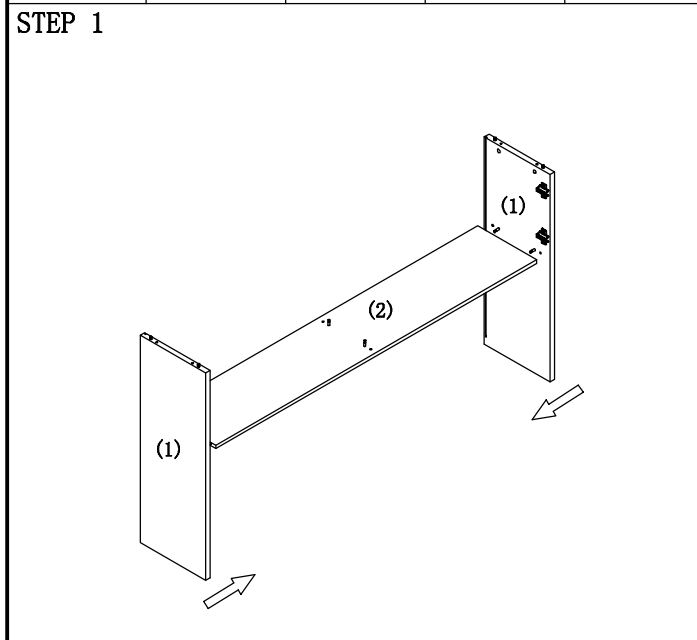


(1)	(2)	(3)	(4)	(5)	(6)	(A)	(B)	(C)	(E) 4*16mm	(F) 4*20mm	(G) 4*25mm	(G1) 4*25mm	(N)	(p)



NAME: HUTCH  
 TYPE: M-HUG3970  
 SPECIFICATION: 70 "W\*14"D\*39"H