

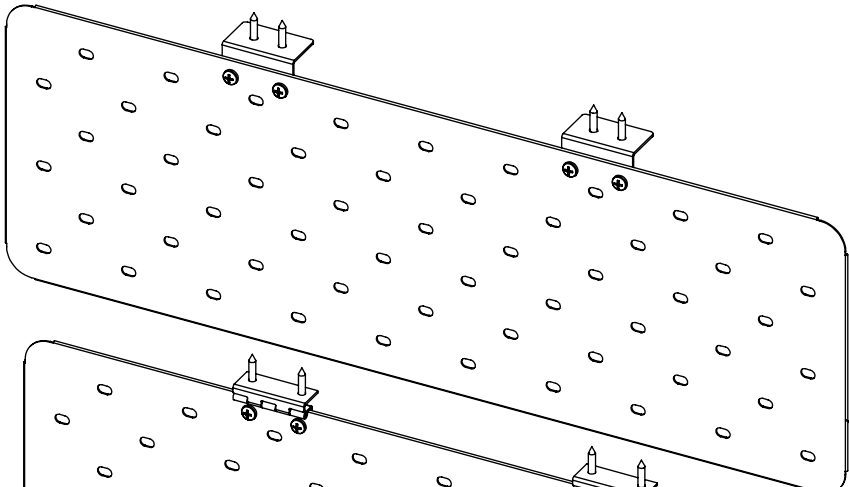


AI, COHERE MODESTY PANELS

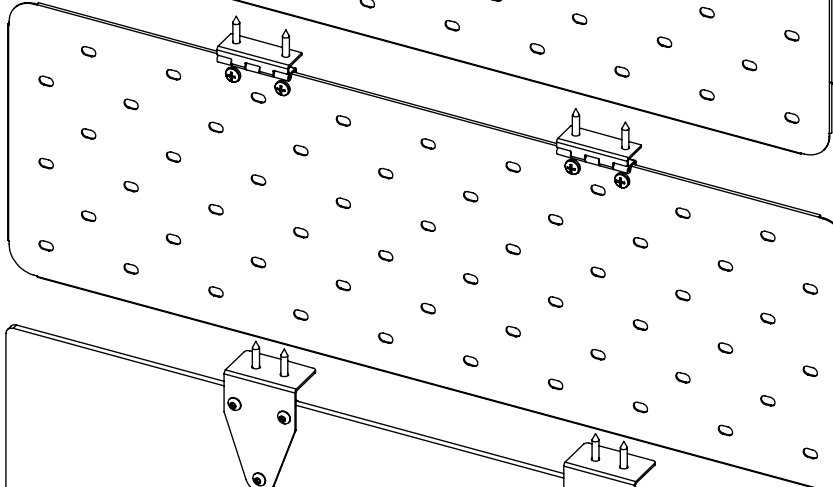
COMPONENTS: When ordering components, specific color and/or size information may be required. Contact a Mayline Customer Service Representative. 1-800-822-8037

BEFORE ASSEMBLY

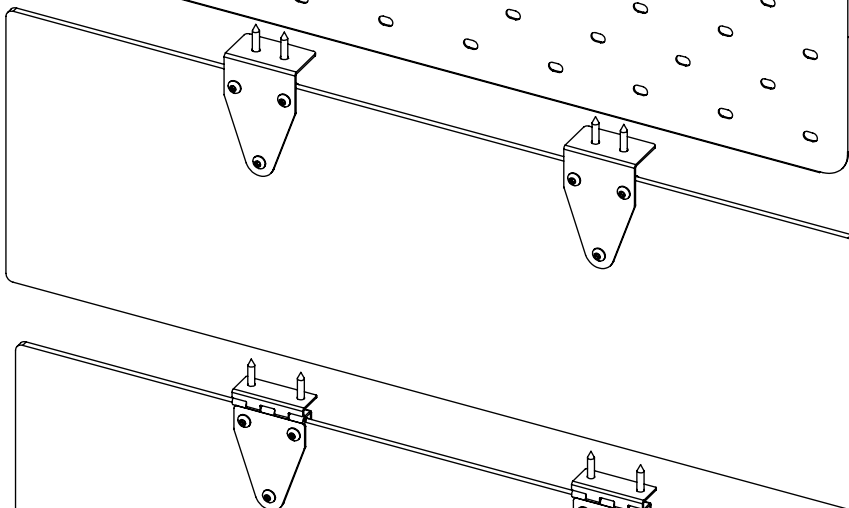
1. CHECK THAT ALL PARTS ARE INCLUDED BEFORE DISPOSING OF PACKING MATERIALS.
2. READ ALL INSTRUCTIONS
3. TOOLS NEEDED: PHILLIPS #3 SCREWDRIVER, 7/16 WRENCH



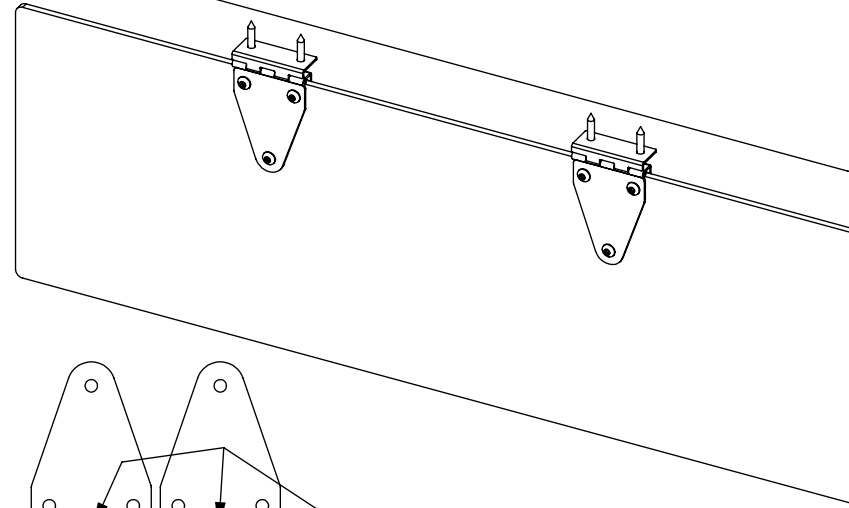
KIT, MODESTY PANEL, STEEL, FIX/PIN



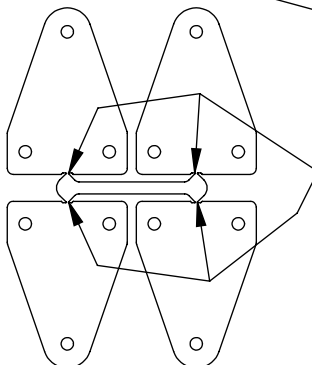
KIT, MODESTY PANEL, FLIP&NEST, STEEL



KIT, MODESTY PANEL, ACRYLIC, FIX/PIN



KIT, MODESTY PANEL, PLASTIC, FLIP&NEST

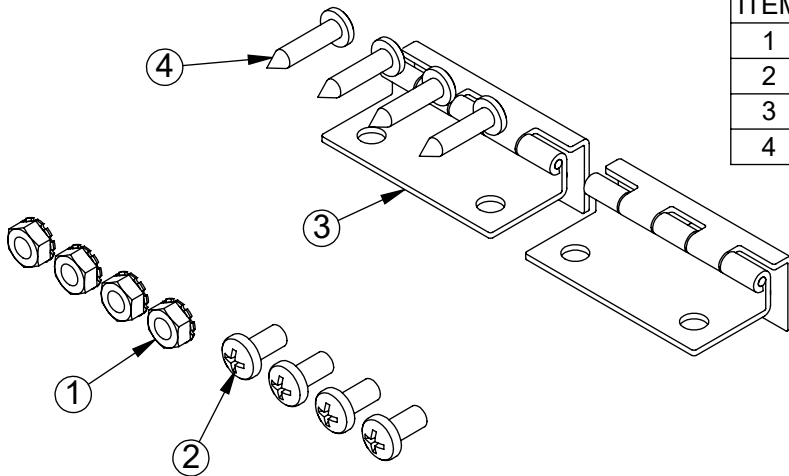


ACRYLIC PANELS:
TILT SIDE-TO-SIDE
TO SEPERATE 4X

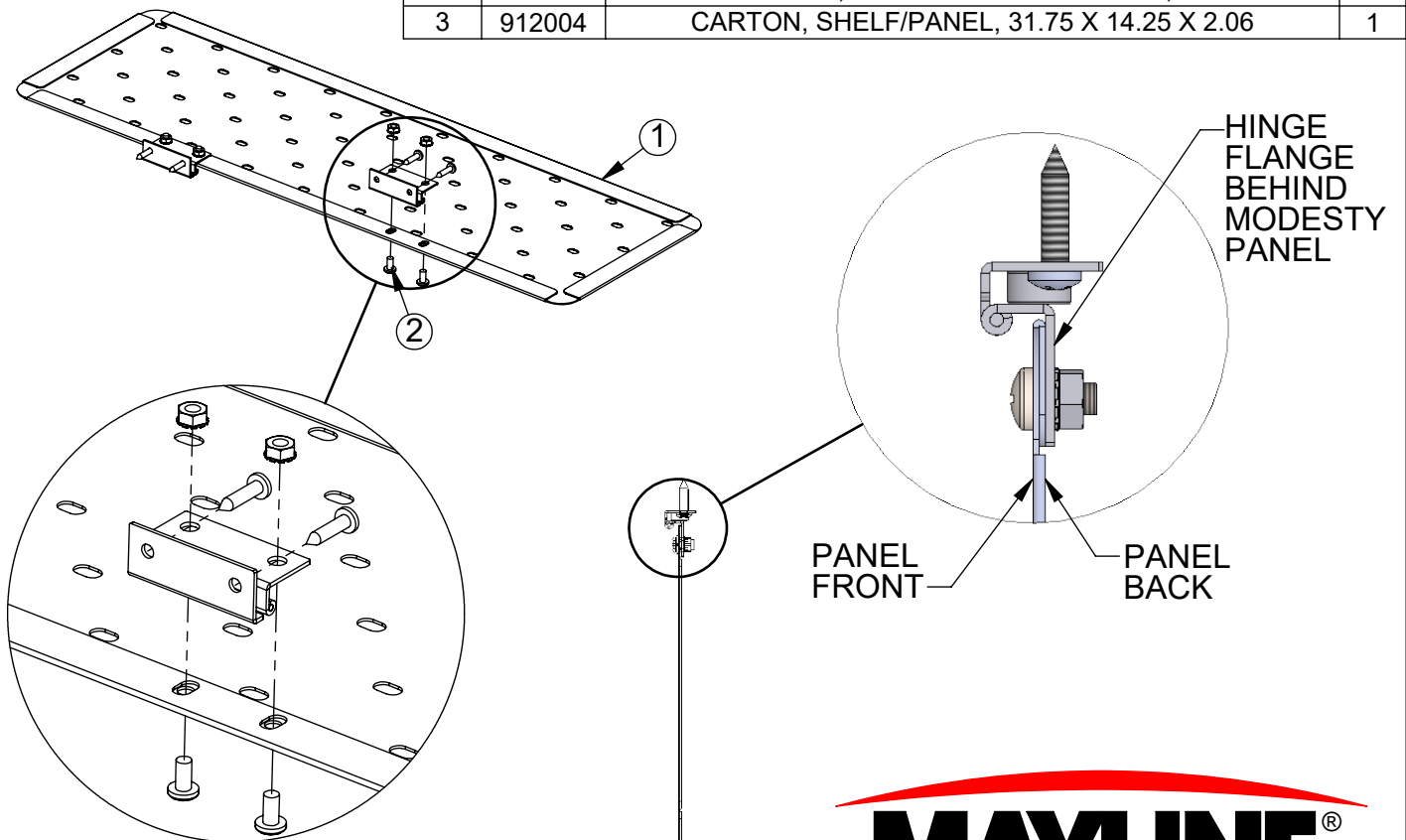


619 N. Commerce, P.O. Box 728 Sheboygan, WI 53082-0728
www.mayline.com 800-822-7388 920-457-7388

REPLACEMENT HARDWARE BAG (part A8909)		
ITEM	DESCRIPTION	QTY
1	NUT, K-LOCK, 1/4-20, BLK	4
2	SCREW, PPHMS 1/4-20 X 0.500, BLK	4
3	HINGE, MAGNETIC	2
4	SCREW, #12 X 1.00, PPHSMS, ZINC	4



KIT, MODESTY PANEL, FLIP&NEST, STEEL			
ITEM	PART NO.	DESCRIPTION	QTY
1	B9278XX	PANEL, MODESTY	1
2	A8909	HARDWARE BAG, STEEL MODESTY PANEL, FLIP&NEST	1
3	912004	CARTON, SHELF/PANEL, 31.75 X 14.25 X 2.06	1

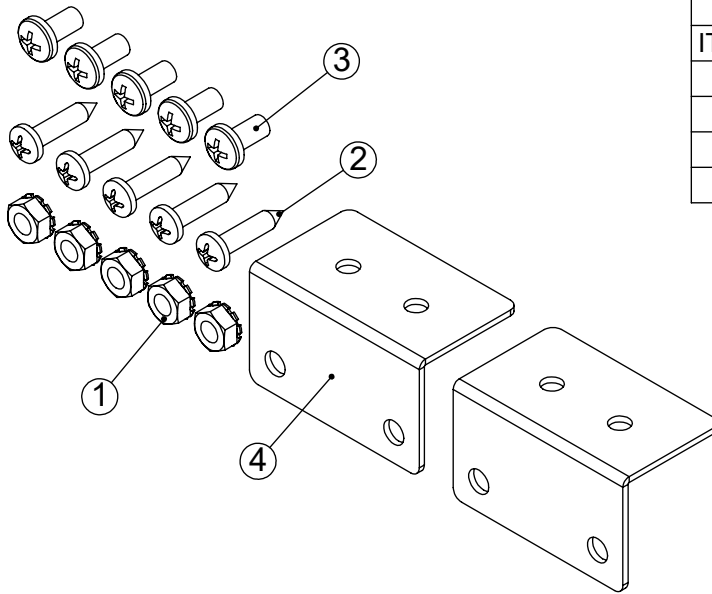


619 N. Commerce, P.O. Box 728 Sheboygan, WI 53082-0728
 www.mayline.com 800-822-7388 920-457-7388

1860

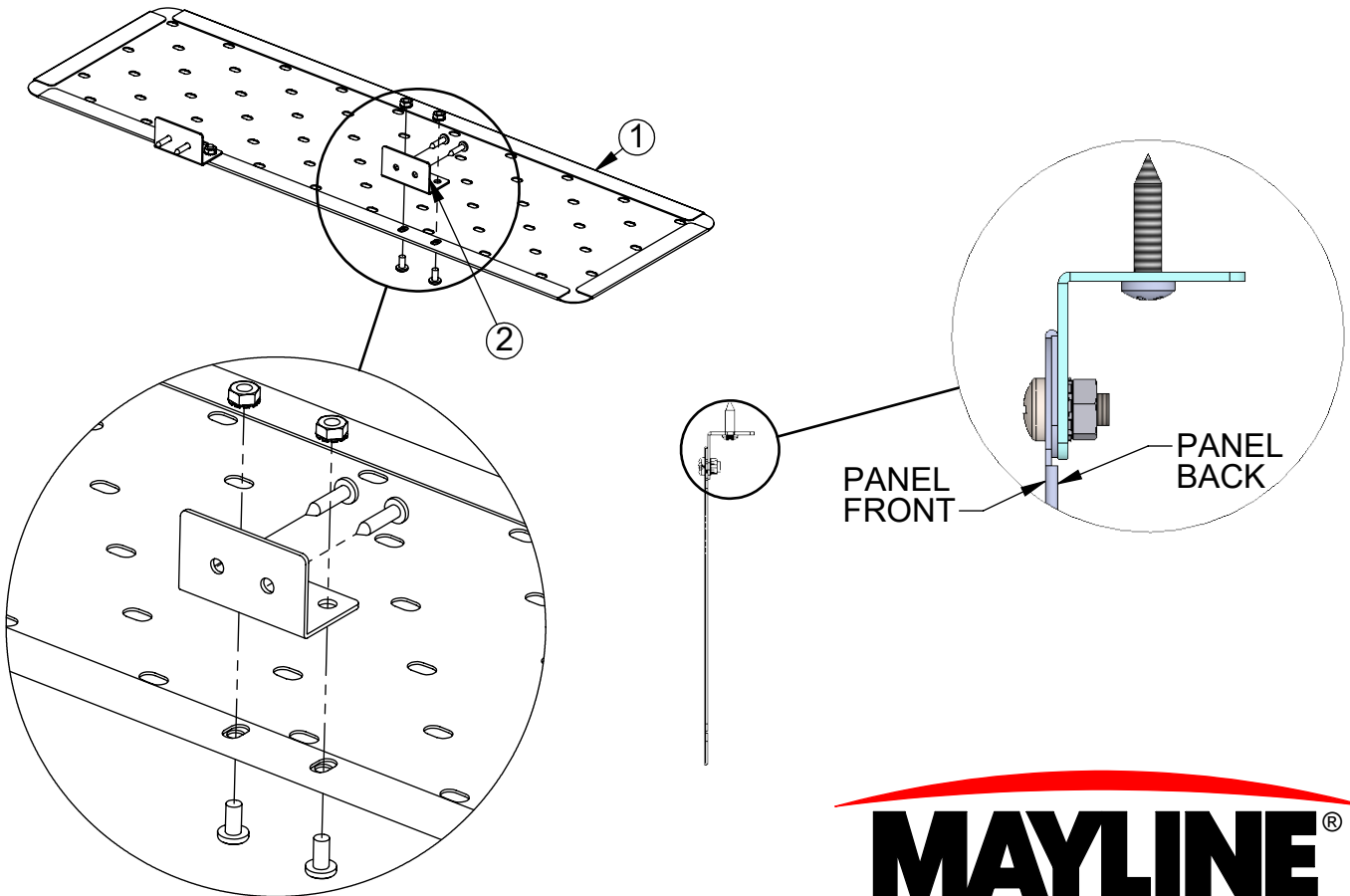
ASSEMBLY INSTRUCTION

AI, COHERE MODESTY PANELS



REPLACEMENT HARDWARE BAG (part A9344)		
ITEM	DESCRIPTION	QTY
1	NUT, K-LOCK, 1/4-20, BLK	5
2	SCREW, #12 X 1.00, PPHSMS, ZINC	5
3	SCREW, PPHMS 1/4-20 X 0.500, BLK	5
4	BRACKET, STEEL MOD PANEL, FIX/PIN	2

KIT, MODESTY PANEL, STEEL, FIX/PIN			
ITEM	PART NO	DESCRIPTION	QTY
1		PANEL, MODESTY	1
2	A9344	HARDWARE BAG, METAL MODESTY PANEL, FIX/PIN	1

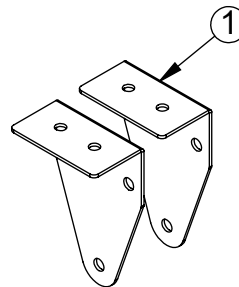
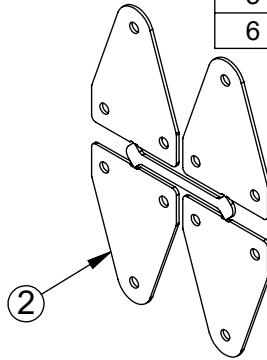
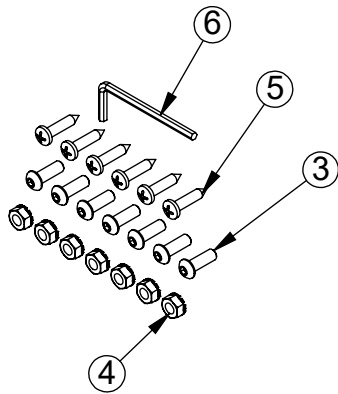


619 N. Commerce, P.O. Box 728 Sheboygan, WI 53082-0728
 www.mayline.com 800-822-7388 920-457-7388

AI, COHERE MODESTY PANELS

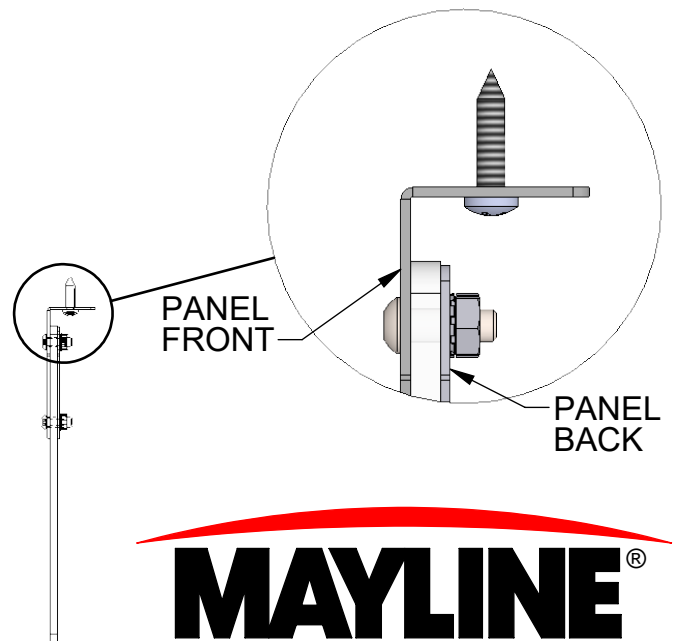
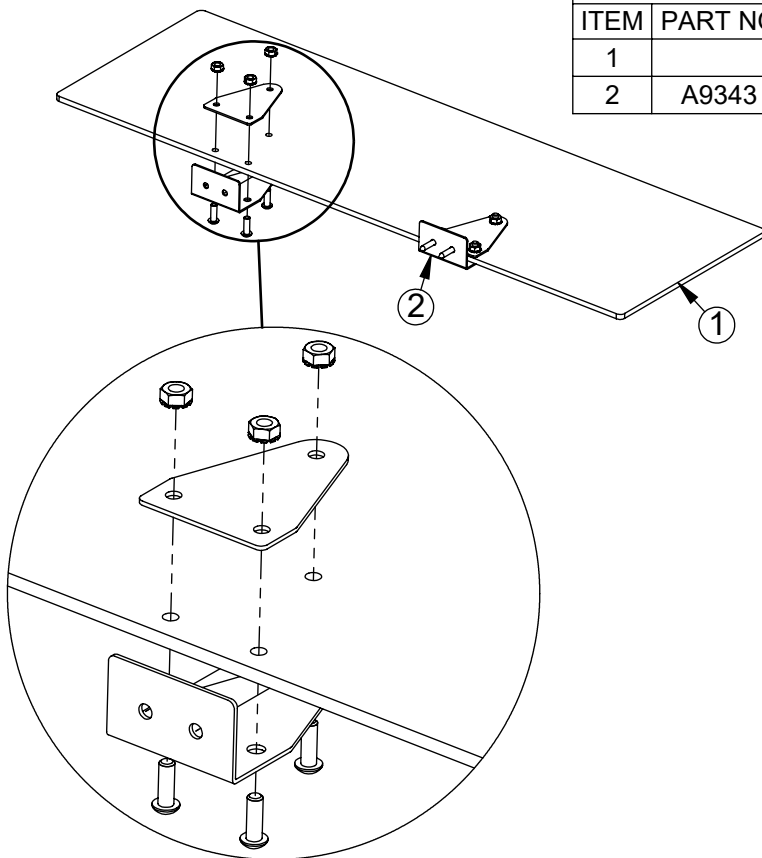
REPLACEMENT HARDWARE BAG (part A9343)

ITEM	DESCRIPTION	QTY
1	BRACKET, ACRYLIC MOD PANEL, FIX/PIN TABLE	2
2	BRACKET, MODESTY PANEL, ACRYLIC, TREE 4X	1
3	SCREW, 1/4-20 X 0.750, SBHCS, ZN	7
4	NUT, K-LOCK, 1/4-20, ZINC	7
5	SCREW, #12 X 1.00, PPHSMS, ZINC	6
6	HEX KEY, 5/32	1



KIT, MODESTY PANEL, ACRYLIC, FIX/PIN

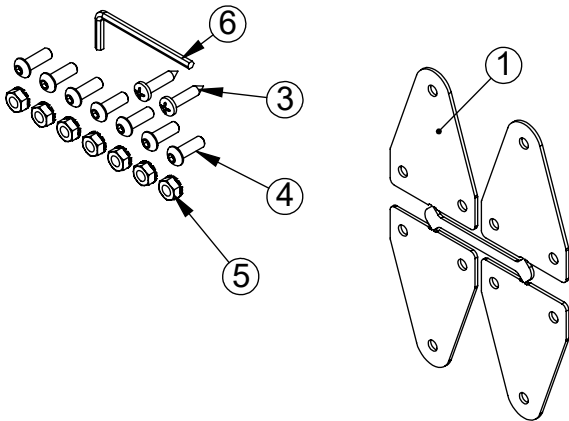
ITEM	PART NO	DESCRIPTION	QTY
1		MODESTY PANEL, ACRYLIC	1
2	A9343	HARDWARE BAG, ACRYLIC MOD PANEL, FIX/PIN	1



1860

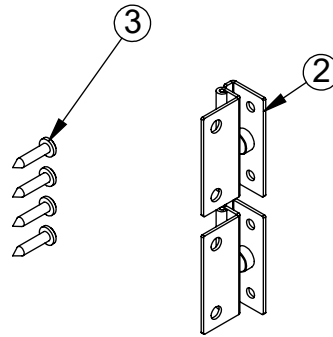
ASSEMBLY INSTRUCTION

AI, COHERE MODESTY PANELS

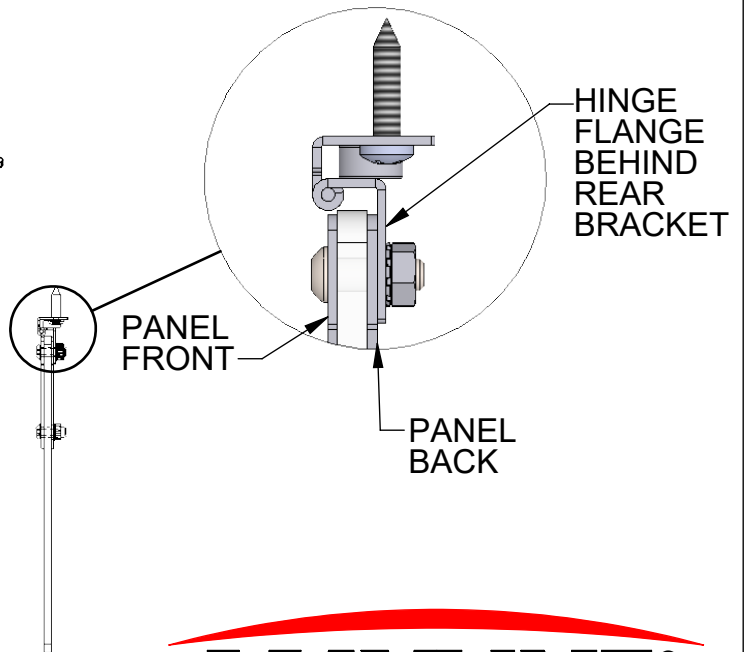
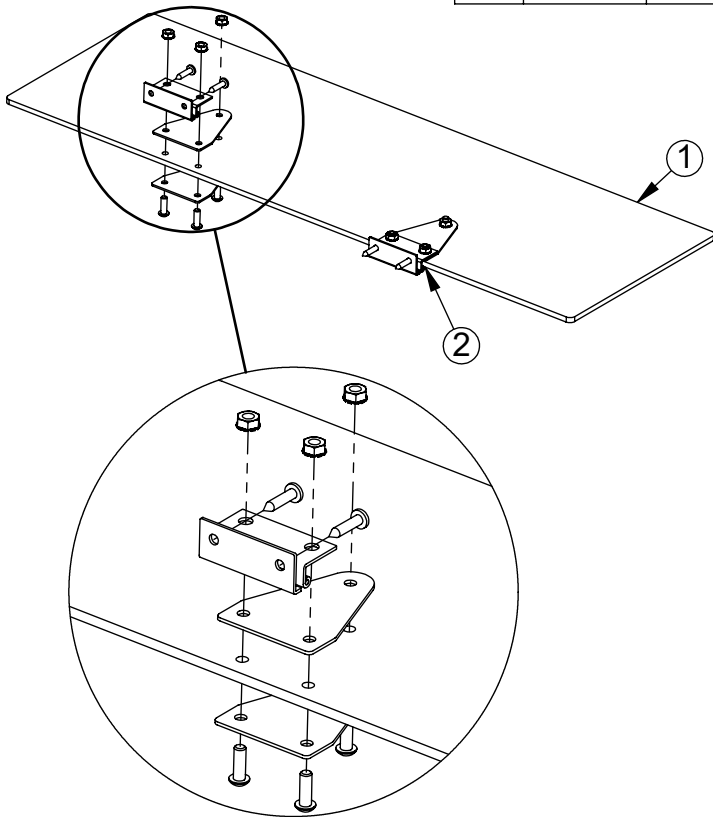


REPLACEMENT HARDWARE BAG (part A9305)

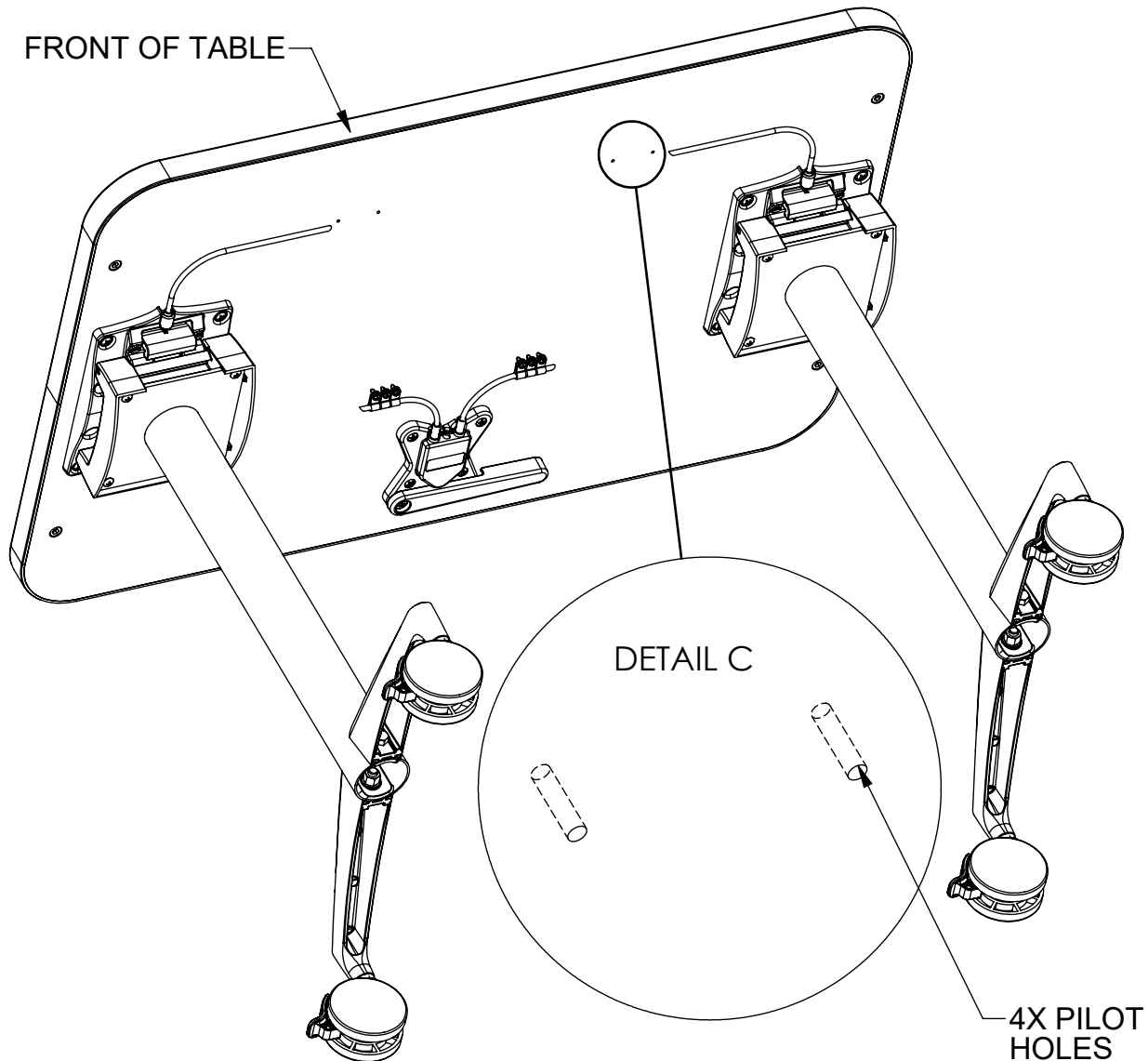
ITEM	DESCRIPTION	QTY
1	BRACKET, MODESTY PANEL, ACRYLIC, TREE 4X	1
2	HINGE, MAGNETIC	2
3	SCREW, #12 X 1.00, PPHSMS, ZINC	6
4	SCREW, 1/4-20 X 0.750, SBHCS, ZN	7
5	NUT, K-LOCK, 1/4-20, ZINC	7
6	HEX KEY, 5/32	1



KIT, MODESTY PANEL, PLASTIC, FLIP&NEST			
ITEM	PART NO	DESCRIPTION	QTY
1		MODESTY PANEL, ACRYLIC	1
2	A9305	HARDWARE BAG, ACRYLIC MODESTY PANEL, FLIP&NEST	1



619 N. Commerce, P.O. Box 728 Sheboygan, WI 53082-0728
 www.mayline.com 800-822-7388 920-457-7388



INSTRUCTIONS

1. LOCATE 4 PILOT HOLES ON THE UNDERSIDE FRONT OF TABLE.
2. SCREW MODESTY PANEL TO UNDERSIDE OF TABLE WITH TOP IN THE HORIZONTAL POSITION. REFERENCE PREVIOUS PAGES FOR PANEL FRONT TO BE FACING FRONT OF TABLE.
3. TIGHTEN NUTS WITH HEX KEY & WRENCH UNTIL SNUG. DO NOT OVERTIGHTEN OR YOU COULD CRACK ACRYLIC

MAYLINE[®]

619 N. Commerce, P.O. Box 728 Sheboygan, WI 53082-0728
www.mayline.com 800-822-7388 920-457-7388