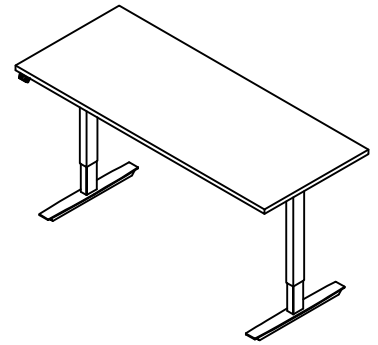
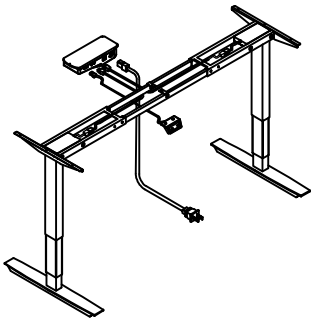


# ASSEMBLY INSTRUCTIONS

## for DUAL COLUMN 2 and 3 STAGE BASES



***NOTE:*** Column Assemblies are heavy.  
Use care to avoid dropping column or allowing  
column assembly to fall during assembly or  
damage to internal glide system may occur!

***NOTE:*** Please count and inspect all pieces before disposing of any carton or packing materials.

**COMPONENTS:** When ordering components, specific size information may be required.  
Contact a Mayline Customer Service Representative. 1-800-822-8037

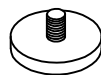
REF. #	QTY.	DESCRIPTION	PART No.
1	2	LIFT ACTUATOR	-
2	2	FOOT w/LEVELERS	5122F2S (22" 2 Stage) - 5122FS (22" 3 Stage) 5126F2S (26" 2 Stage) - 5126FS (26" 3 Stage)
3	2	ACTUATOR FRAME	-
4	2	ADJ. CROSS BAR	-
5	2	TOP SUPPORT BRKT	A9284S
6	1	CONTROL BOX	Z529 (2 Stage) - Z530 (3 Stage)
7	1	STD. SWITCH	523SC
8	2	MOTOR CABLE	-
9	1	WIRE CHANNEL	-

**\*\*OPTIONAL MEMORY SWITCH - 523MC**

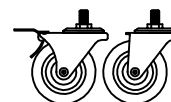
**HARDWARE BAG (For any missing components order PART No. A9292)**

REF. #	QTY.	DESCRIPTION	
E1	12	M6 x 15mm MACHINE SCREW LOCK WASHER FLAT WASHER	
E2	19	5x20mm PAN HD WOOD SCREW	
E3	8	4mm SET SCREW	
E4	1	4mm HEX WRENCH	

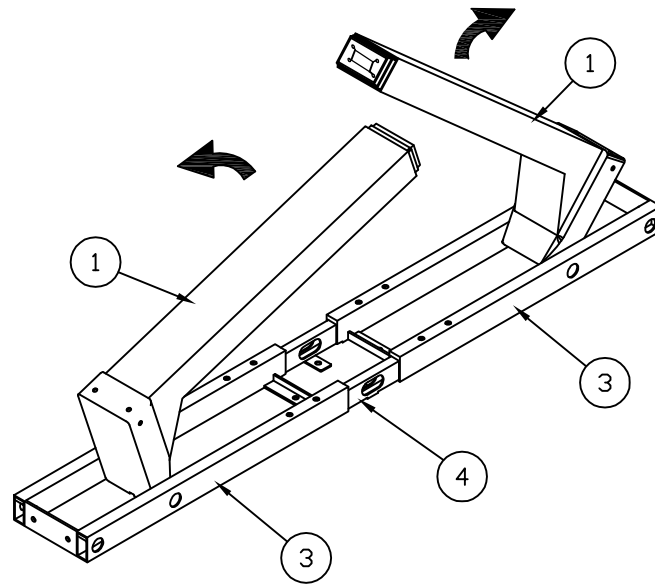
REPLACEMENT LEVELER  
QTY 1  
PART# Q714



OPTIONAL CASTERS -QTY 4  
2 LOCKING/2 NON-LOCKING  
PART# Q715



1. Remove the Actuator/Frame Assembly (Parts 1,3,4) from the carton and place on a clean flat surface with the frame down.
2. Carefully unfold the Lift Actuators (1) to the vertical position.



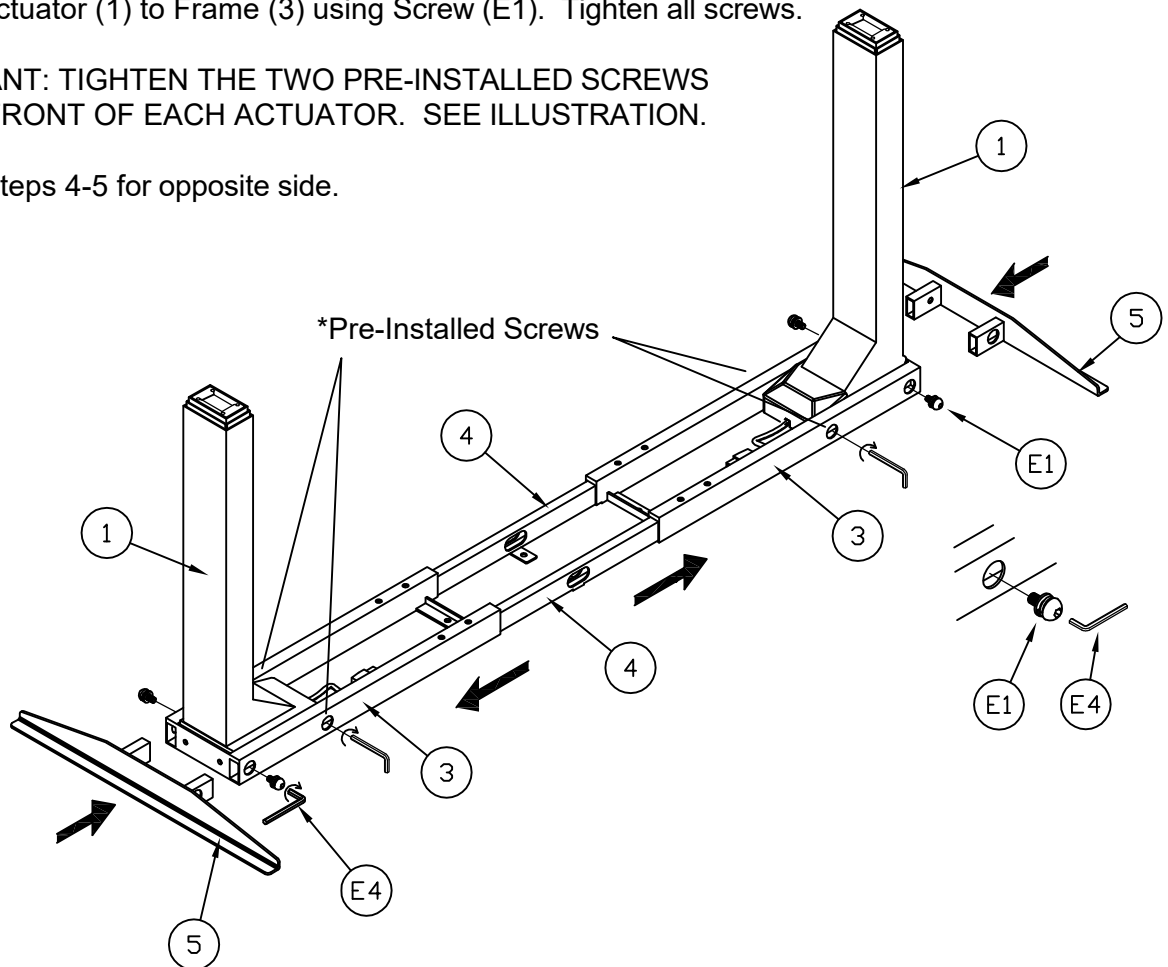
3. Separate Actuator Frames (3) from Adj Cross Bars (4) enough to expose the mounting holes in the Actuator Frame.

4. Insert Top Support Brackets (5) into Frame (3).

5. Fasten Actuator (1) to Frame (3) using Screw (E1). Tighten all screws.

**\*\*IMPORTANT: TIGHTEN THE TWO PRE-INSTALLED SCREWS AT THE FRONT OF EACH ACTUATOR. SEE ILLUSTRATION.**

6. Repeat Steps 4-5 for opposite side.



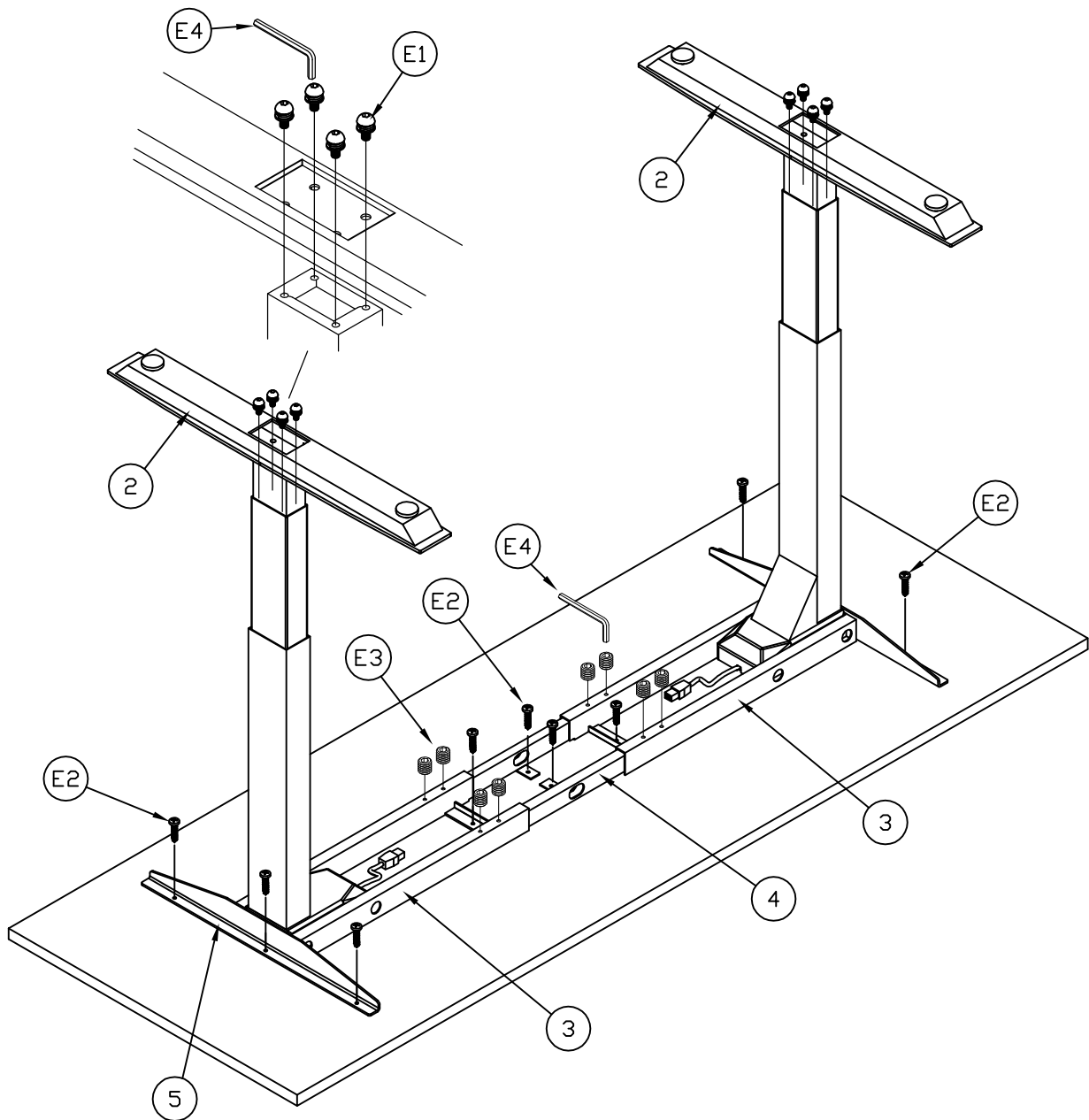
7. Place Table Top down on a clean, flat, non-abrasive surface. Place Actuator/Frame assembly in mounting location on top. Note: Use pilot holes and Top Support Brkt as a guide.

Note: Cross Bar adjustment will be required. Adjust Cross Bar (4) so Mounting Straps/Cord Passage Holes are approximately centered in the frame.

8. Attach Actuator Frames (3), Cross Bars (4), and Top Support Brackets (5) to Top using Screws (E2), Qty 10. Do Not Over-tighten.

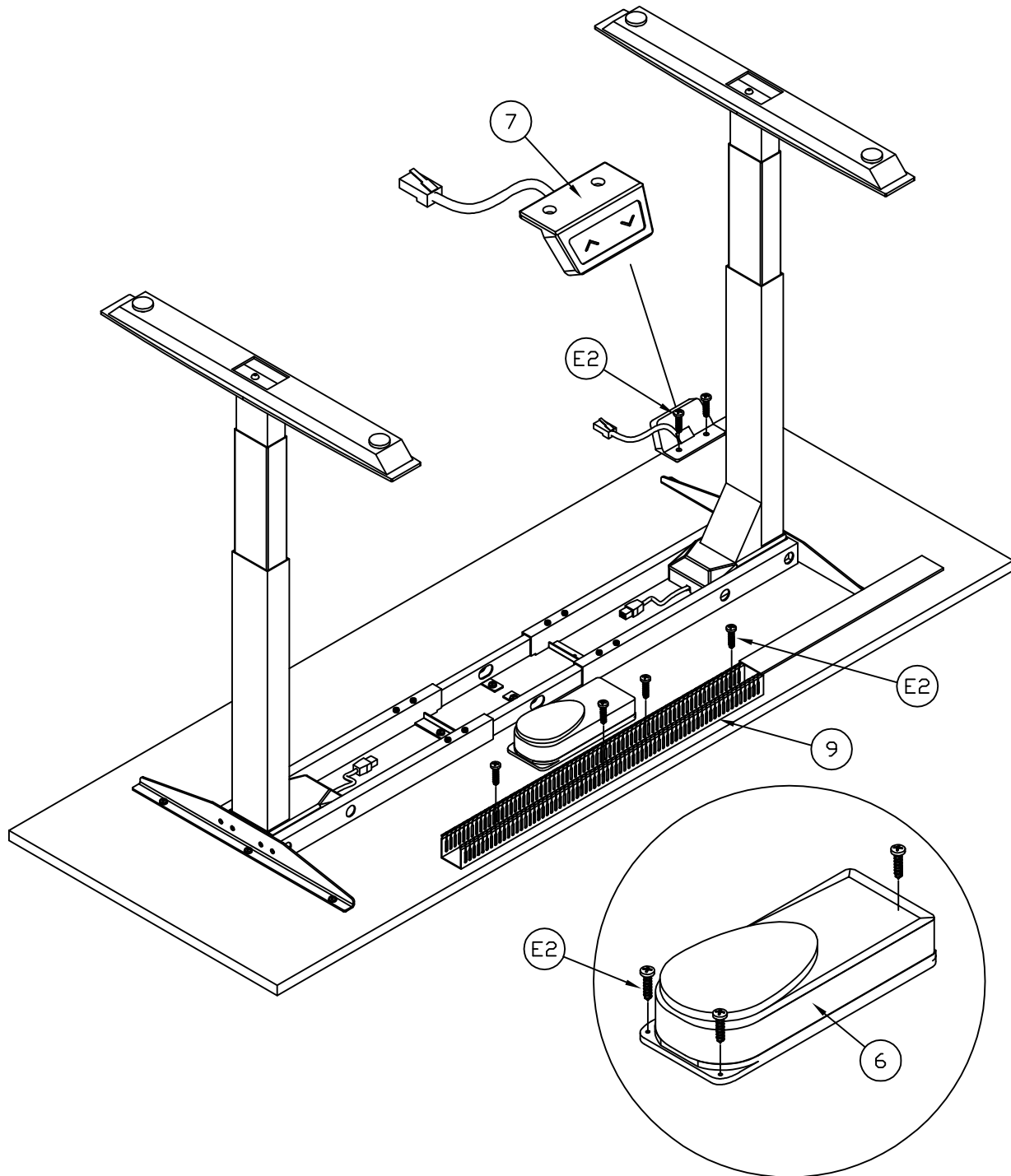
9. Insert and tighten Set Screws (E3), Qty 6, into Frame (3). Do Not Over-tighten.

10. Attach Foot (2) to Actuator using Screws (E1), Qty 4 per Foot.



11. Position Switch (7) on desired location on front edge of top, and fasten with Screws (E4), Qty 2.

12. Position Control Box (6) and Wire Channel (9) in desired location, and fasten with Screws (E4), Qty 7.



13. Carefully plug Motor Cables (8), Switch Cord, and Power Cord into matching ports on Control Box. Use the Diagram below as a guide.

14. Using one person per side, Carefully rotate table onto the base.

15. Plug power cord into outlet and proceed with Switch Initialization. See User Manual.

