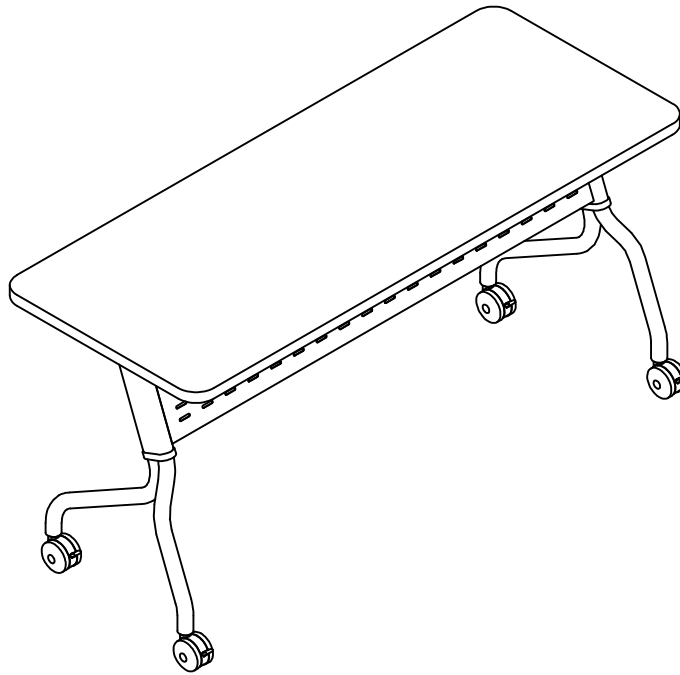
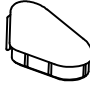



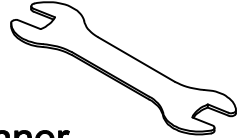
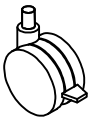
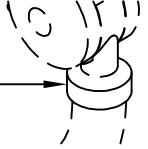
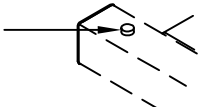



ASSEMBLY INSTRUCTIONS SYNC TABLES



Replacement Parts not included in assembly		
LF127*		1
Frame Cap Top (single)		
LF128*		1
Frame Cap Bottom (single)		

Leveling Tool upon Request.		
Q642*		Quantity 1
Wrench, Spanner		

Replacement Parts not included in assembly		
LF104*		Quantity 1
Caster (single)		
LF117*		1
Leg Cap (single)		
LF118*		1
Frame Bumper (single)		
LF119*		1
Set Screw (single)		

PARTS LIST SYNC TABLES

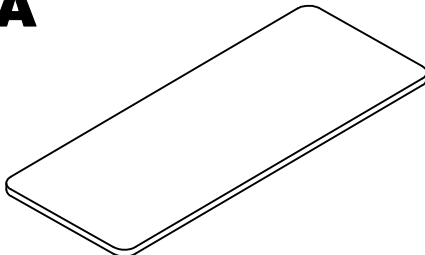
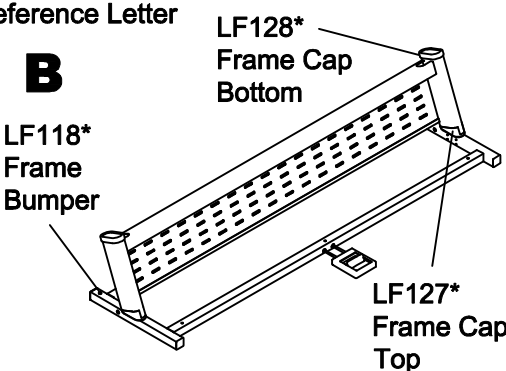
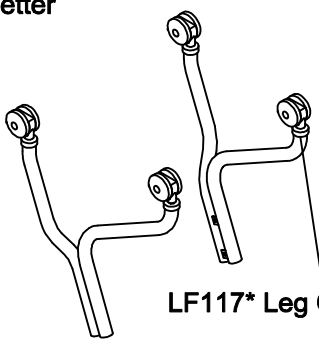
When ordering components, specific color and/or size information may be required.
Contact a Mayline Customer Service Representative. 1-800-822-8037

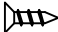
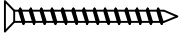


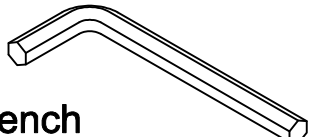
* Individual Items, Order by part number.


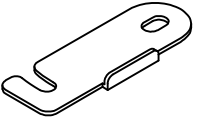
** Denotes Color Code

~~Denotes Size

NOTE: Please count and inspect all pieces before disposing of any carton or packing materials.

<p>Reference Letter</p> <p style="font-size: 24pt; font-weight: bold; text-align: center;">A</p>  <p>Part Number Top CALL ~~**</p>	<p>Quantity</p> <p style="font-size: 24pt; font-weight: bold;">1</p>
<p>Reference Letter</p> <p style="font-size: 24pt; font-weight: bold; text-align: center;">B</p>  <p>LF118* Frame Bumper</p> <p>LF128* Frame Cap Bottom</p> <p>LF127* Frame Cap Top</p> <p>Frame CALL ~~</p>	<p>Quantity</p> <p style="font-size: 24pt; font-weight: bold;">1</p>
<p>Reference Letter</p> <p style="font-size: 24pt; font-weight: bold; text-align: center;">C</p>  <p>LF117* Leg Cap</p> <p>Part Number LF115* Feet (pair) with casters</p>	<p>Quantity</p> <p style="font-size: 24pt; font-weight: bold;">1</p>

<p>Part Number LF116* Hardware Bag</p>		
<p>Reference Letter</p> <p style="font-size: 24pt; font-weight: bold; text-align: center;">D</p>  <p>Screw M4 x 14mm</p>	<p>Quantity</p> <p style="font-size: 24pt; font-weight: bold;">4</p>	<p>Extra</p> <p style="font-size: 24pt; font-weight: bold;">1</p>
<p>Reference Letter</p> <p style="font-size: 24pt; font-weight: bold; text-align: center;">E</p>  <p>Screw M4 x 45mm</p>	<p>Quantity</p> <p style="font-size: 24pt; font-weight: bold;">6</p>	<p>Extra</p> <p style="font-size: 24pt; font-weight: bold;">1</p>
<p>Reference Letter</p> <p style="font-size: 24pt; font-weight: bold; text-align: center;">F</p>  <p>Screw M8 x 20mm</p>	<p>Quantity</p> <p style="font-size: 24pt; font-weight: bold;">4</p>	
<p>Reference Letter</p> <p style="font-size: 24pt; font-weight: bold; text-align: center;">G</p>  <p>Washer</p>	<p>Quantity</p> <p style="font-size: 24pt; font-weight: bold;">4</p>	
<p>Reference Letter</p> <p style="font-size: 24pt; font-weight: bold; text-align: center;">H</p>  <p>Allen Wrench</p>	<p>Quantity</p> <p style="font-size: 24pt; font-weight: bold;">1</p>	

<p>Part Number 10GA* Ganging Kit</p>		
<p>Reference Letter</p> <p style="font-size: 24pt; font-weight: bold; text-align: center;">J</p>  <p>Knob</p>	<p>Quantity</p> <p style="font-size: 24pt; font-weight: bold;">4</p>	<p>Extra</p> <p style="font-size: 24pt; font-weight: bold;">1</p>
<p>Reference Letter</p> <p style="font-size: 24pt; font-weight: bold; text-align: center;">K</p>  <p>Bracket</p>	<p>Quantity</p> <p style="font-size: 24pt; font-weight: bold;">2</p>	

1. Place Top (A) face down on a clean flat surface. Locate pilot holes in top and place the Frame as shown in Fig. #1.

2. Attach Frame (B) onto Top using 6 Screws (E) & 4 Screws (D) for the hand mechanism as shown in Fig. #1

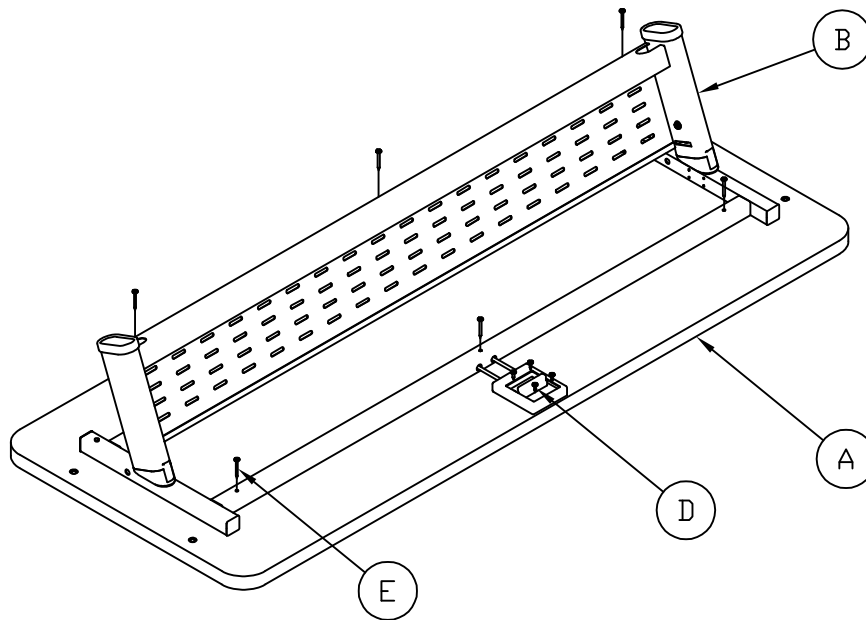


Fig. #1

3. Attach Feet (C) to Frame (B) using 2 Screws (F) & 2 Washers (G) per Leg as shown in Fig. #2

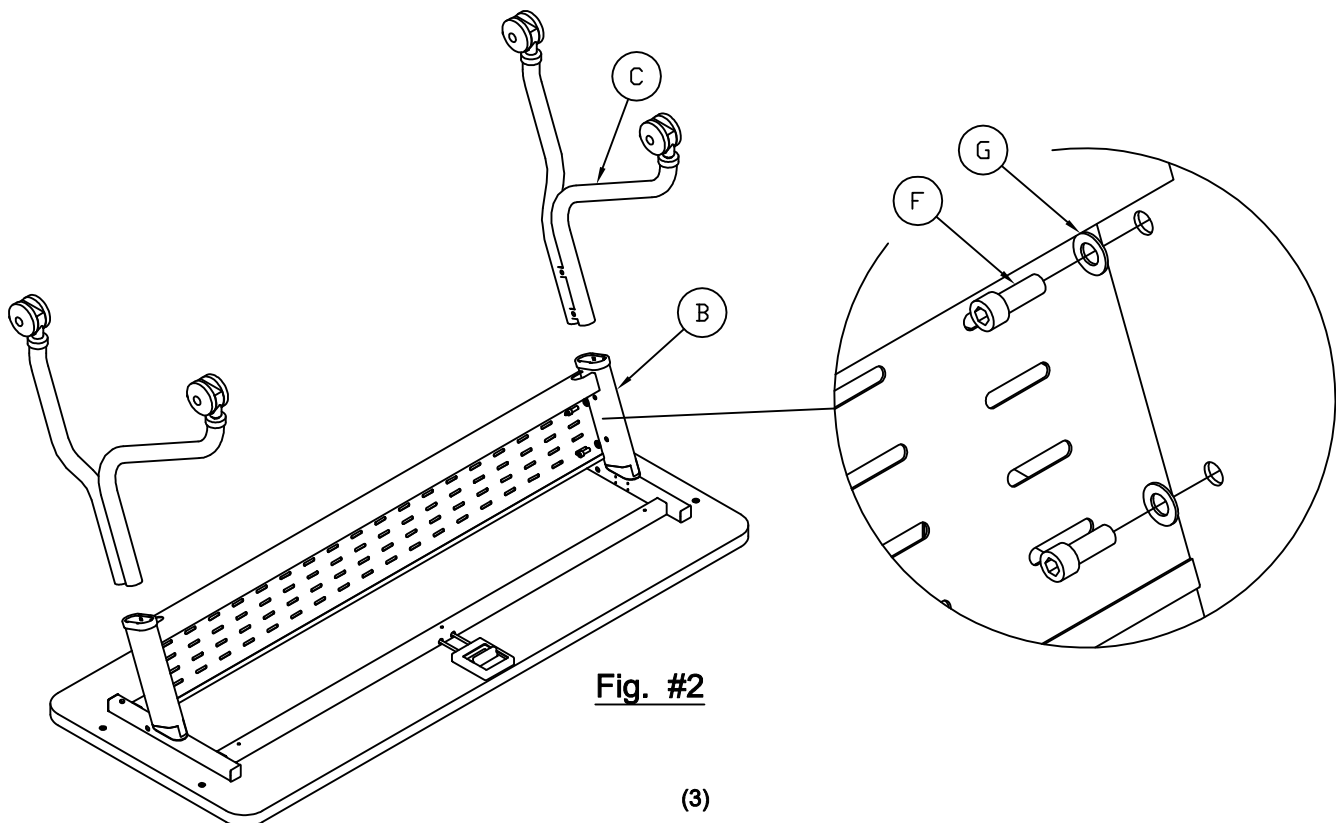
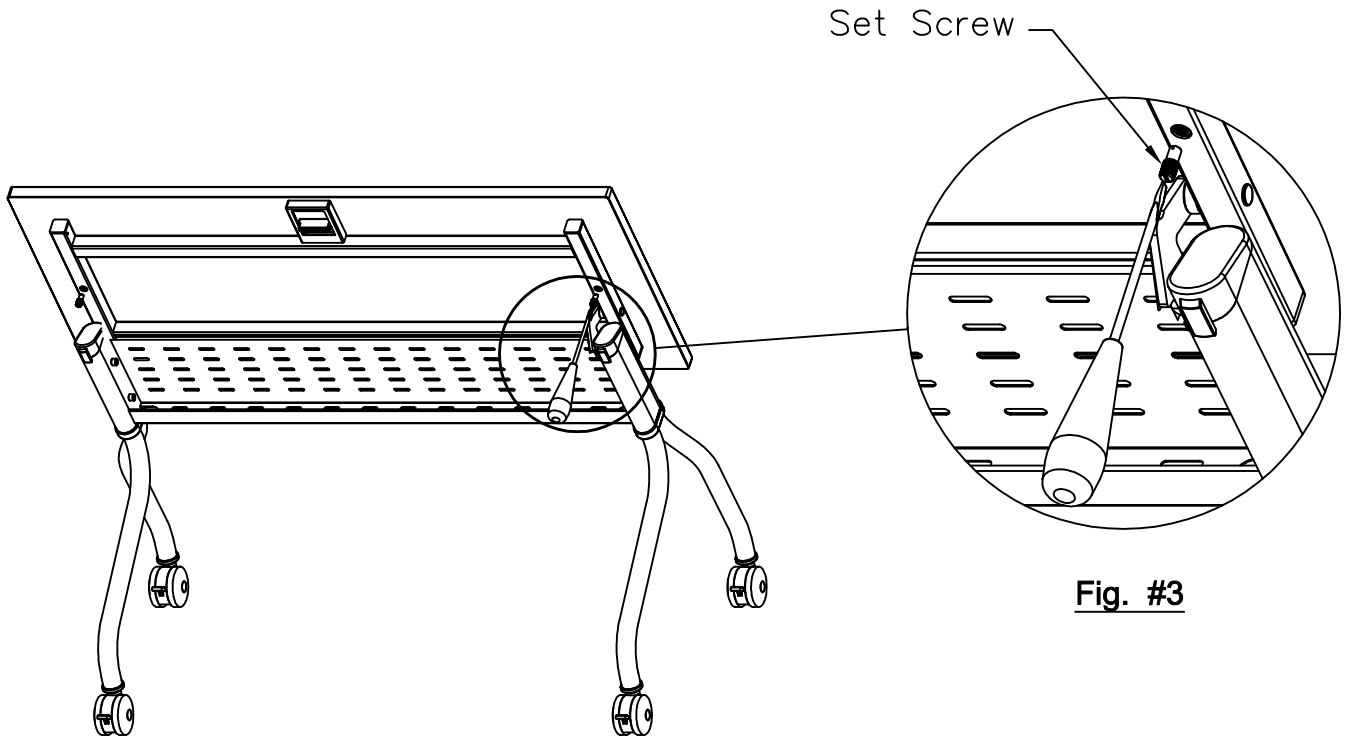


Fig. #2

4. All tables are factory set with a Set Screw. This option has been added to adjust the tolerance and levelness of the top. Using a screwdriver the set screw can be adjusted in and/or out for this feature as shown in Fig #3.



5. Attach Ganging Brackets with tables in upright & approximate position. Insert Knobs (J) through the Ganging Brackets (K) into the metal inserts in the Top and tighten as shown in Fig #4 & #5

