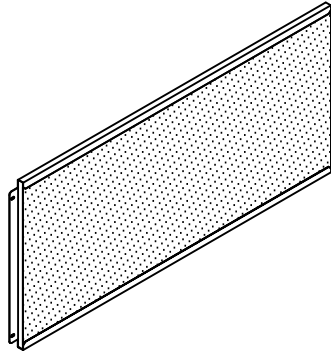


# ASSEMBLY INSTRUCTIONS

## CSII OVERHEAD TACK PANEL

---




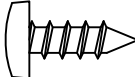
CATALOG No:  
 C863  
 C864  
 C865  
 C866  
 C867

*NOTE: Please count and inspect all pieces before disposing of any carton or packing materials.*

**COMPONENTS:** When ordering components, specific color and/or size information may be required. Contact a Mayline Customer Service Representative. 1-800-822-8037

REF. #	QTY.	DESCRIPTION	PART No.	
1	1	TACK PANEL	CALL ~ ~ **	** Denotes Color Code ~ ~ Denotes Size

**HARDWARE BAG (PART No. A7653)** \*for individual item, order that part number

REF. #	QTY.	DESCRIPTION	PART No.	
E1	4	#10-32 X 1/2 SCREW	X204*	 

1. Attach Tack Panel (1) to Overhead using four Screws (E1).

