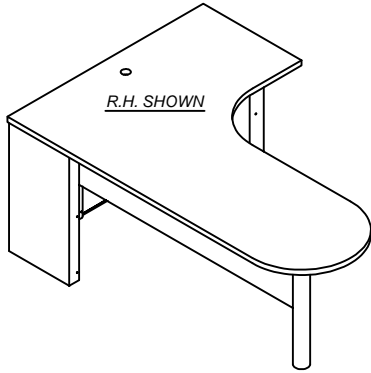


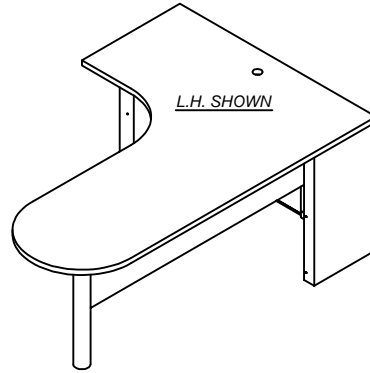
ASSEMBLY INSTRUCTIONS

CSII "P" Table and "P" Table w/ Conference End

CATALOG No:
C383R02



CATALOG No:
C383L01



NOTE: Please count and inspect all pieces before disposing of any carton or packing materials.

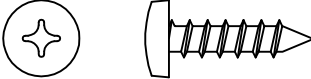


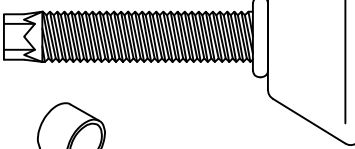


COMPONENTS:

When ordering components, specific color and/or size information may be required. Contact a Mayline Customer Service Representative. 1-800-822-8037

<u>REF. #</u>	<u>QTY.</u>	<u>DESCRIPTION</u>	<u>PART No.</u>	
1	1	WORK SURFACE	CALL~~**	
2	1	MODESTY PANEL	B7485**	
3	1	LEG	C733**	** Denotes Color Code
4	1	LEG (extra mounting holes)	C734**	~~Denotes Size
5	1	POST LEG	B5185**	
6	1	JOINING PLATE	B7522	
7	1	MODESTY PANEL	B7892**	

HARDWARE BAG (PART No. A7807)

*for individual part, order that part number

<u>REF. #</u>	<u>QTY</u>	<u>DESCRIPTION</u>	<u>PART No.</u>	
E1	25	#10 X 3/4 SCREW	X11*	
E2	8	#10-24- X 3/8 SCREW	X147*	
E3	8	#10-24 KEPS NUT	T2*	
E4	4	GLIDE	Q630*	
E5	2	CABLE CLAMP	F191*	
E6	2	SCREW, #6 X 3/8 PPHTS	X5126*	

"P" Table and "P" Table with Conference End Assembly:

NOTE: Shape and size may vary but assembly procedure remains the same.

1. Place the Work Surface (1) face down onto a clean, protected surface.

2. Place Leg (3) along the 'LONG' edge of the Work Surface. Place Leg (4) along the 'SHORT' edge of the Work Surface, extra holes toward outside. Position Legs (3 & 4) approximately 3/16 from their respective edges and align the holes in the Leg with the pre-drilled holes in the Work Surface. Attach each Leg to Work Surface with six Screws (E1). DO NOT tighten screws at this time.

3. Position the Modesty Panel (2) between the Legs (3). Align the holes in the Panel with the pre-drilled holes in the Work Surface. Secure Panel with Screws (E1). DO NOT tighten screws at this time.

4. Attach the Modesty Panel (2) to each Leg (3) with three Screws (E2) and three KEPS Nuts (E3) at each end.

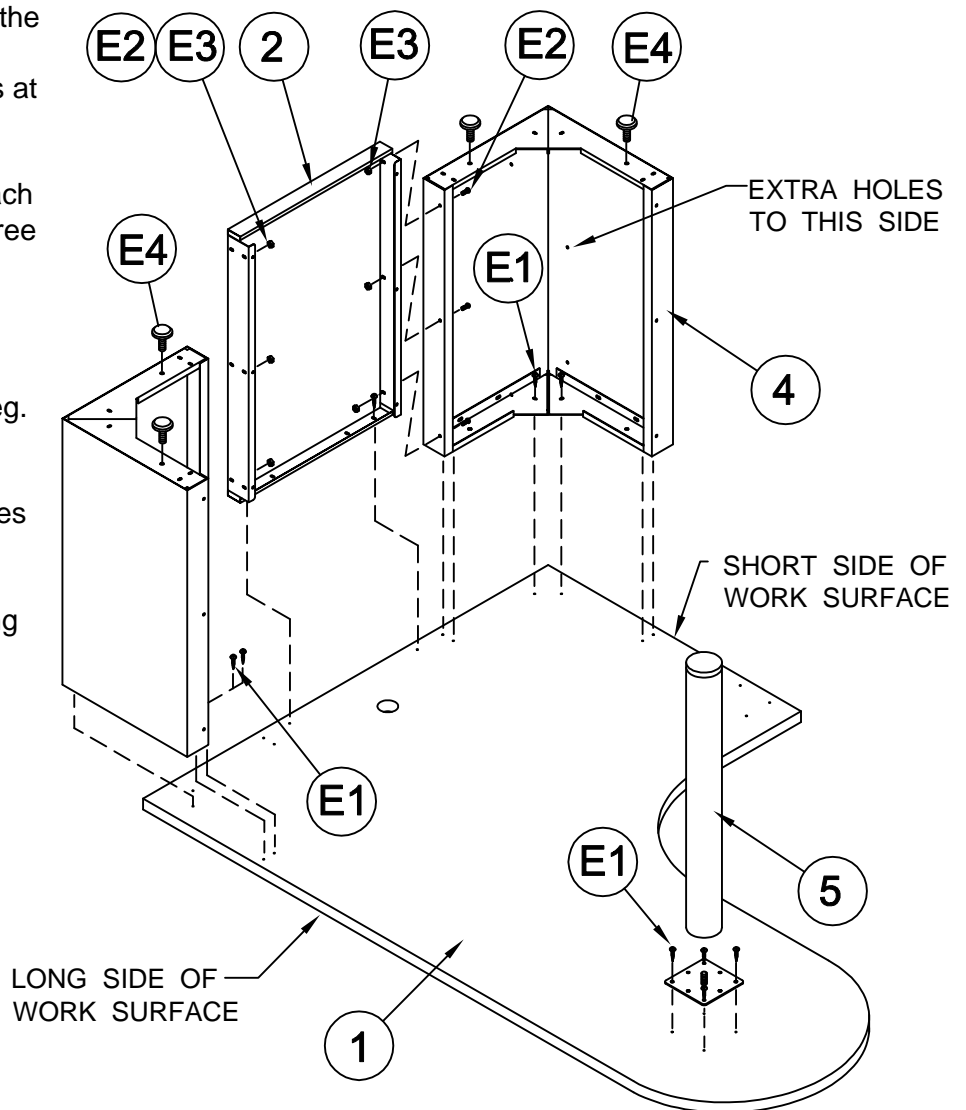
5. Tighten all screws at this time.

6. Install two Glides (E4) into each Leg.

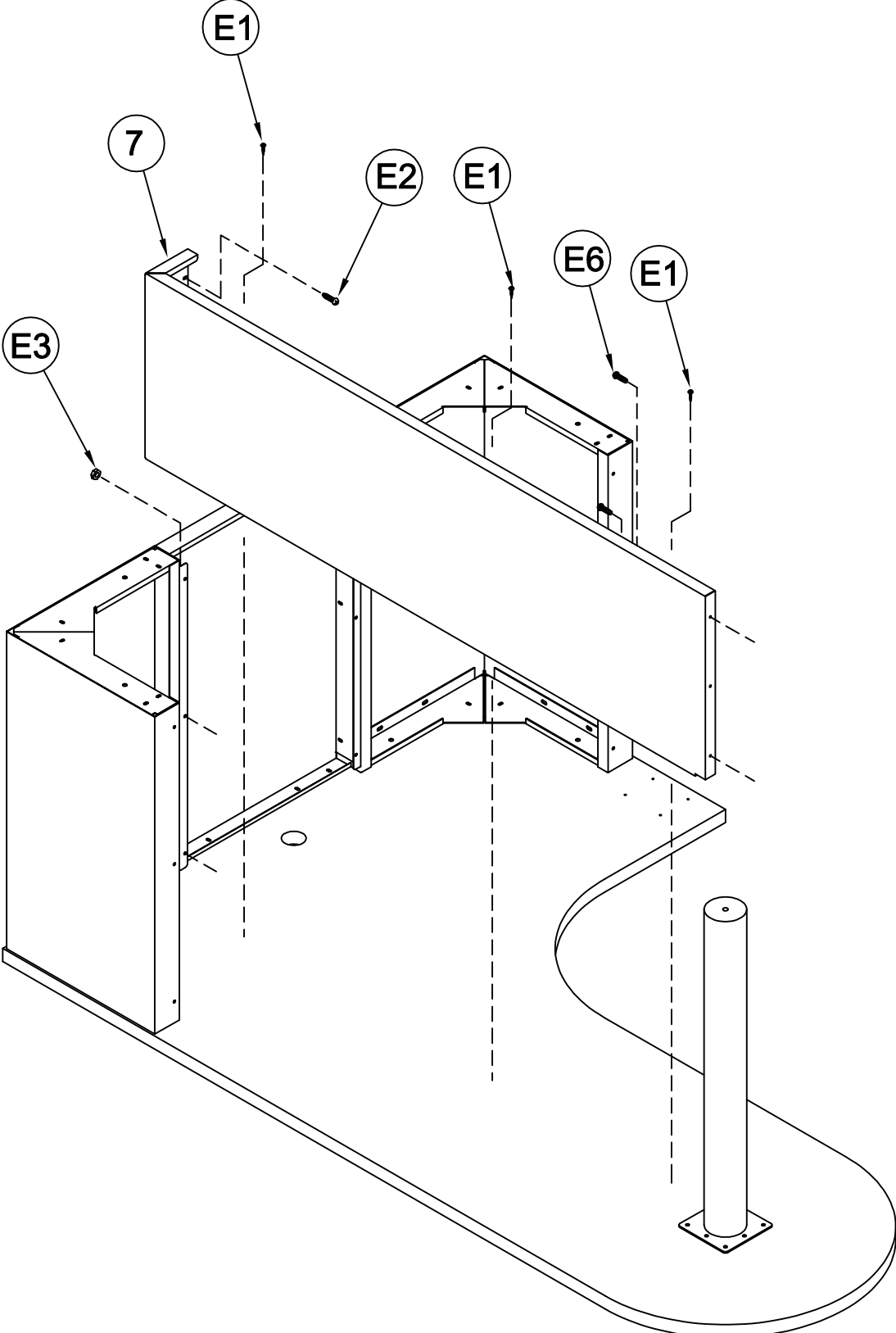
7. Align the holes in the Post Leg (5) mounting plate with the pre-drilled holes in the Work Surface. Secure the mounting plate with four Screws (E1). Thread the Post Leg onto the mounting plate stud.

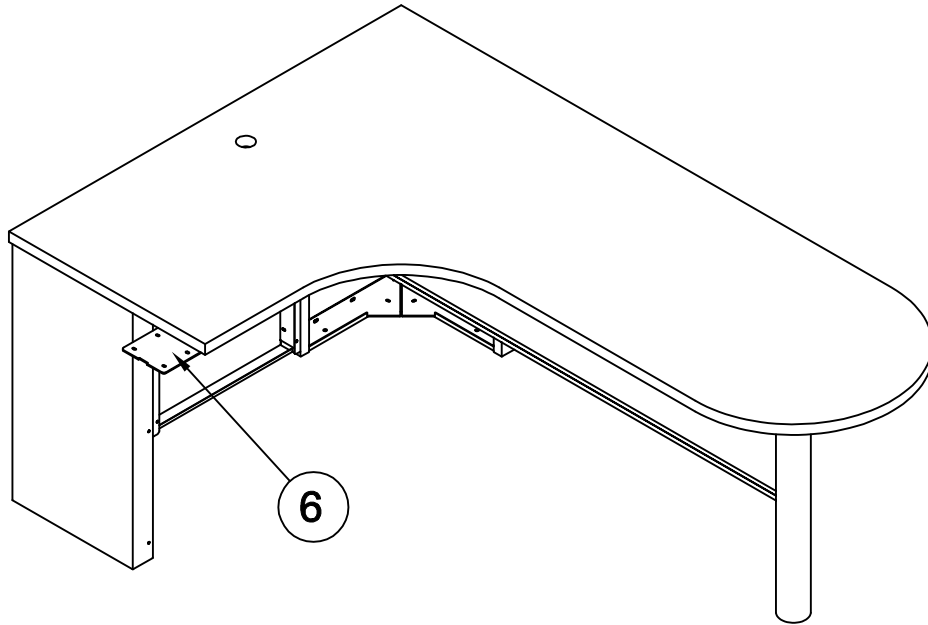
"P" Desk Assembly:

NOTE: Shape and size may vary but assembly procedure remains the same. Legs are universal and may be placed on Right or Left side.



8. Attach short end of Modesty Panel (7) to small flange on Modesty Panel (2) using Screws (E2) and Nuts (E3). Use Screws (E1) to secure Modesty Panel to the Worksurface (1). Fasten Modesty Panel (7) to Peninsula Leg using self drilling Screws (E6).





8. Place the assembled desk in the upright position. MAYLINE recommends that a minimum of two people perform this task.

9. Place the desk at the location where it will be used. MAYLINE recommends that a minimum of two people perform this task.

10. Level the assembly by adjusting the Leg glides and the Post Leg glide.

11. Two Cable Clamps (E5) are included to position cables away from work area. Attach the clamps to the Work Surface with one Screw (E1) per clamp.

12. OPTIONAL: Secure the "J" Table to the adjacent table using eight Screws (E1) through the Joining Plate (6) into the pre-drilled holes in the underside of the Work Surfaces.