

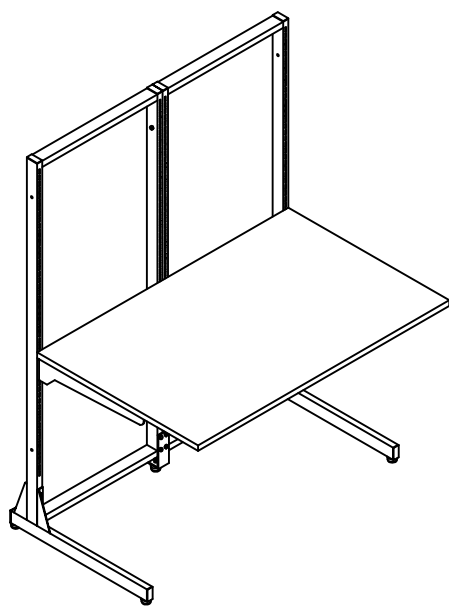
ASSEMBLY INSTRUCTIONS MAYTRIX™ LAN FURNITURE WORK SURFACE ASSEMBLY

NOTE: Please count and inspect all pieces before disposing of any carton or packing materials.

COMPONENTS: When ordering components, specific color and/or size information may be required. Contact a Mayline Customer Service Representative. 1-800-822-8037

<u>REF.#</u>	<u>QTY.</u>	<u>DESCRIPTION</u>	<u>PART No.</u>
1	1	CENTER SUPPORT BRACKET	CALL~~**

** Denotes Color Code
~~Denotes Size



1. Assemble Frames and Legs per instructions included with these components.

2. Select height desired for Work Surface and install Left and Right Brackets.

NOTE:

When installing a 48", 60", or 72" Work Surface, one additional Center Support (1) is required. When installing a 90" Work Surface two additional Center Supports (1) are required.

3. Position Work Surface on brackets.

NOTE:

Position center bracket at desired location before the tape makes contact with the work surface.

Engage all work surface Screws, but do not tighten. This will aid with bracket / work surface alignment.

When aligned, tighten all screws.

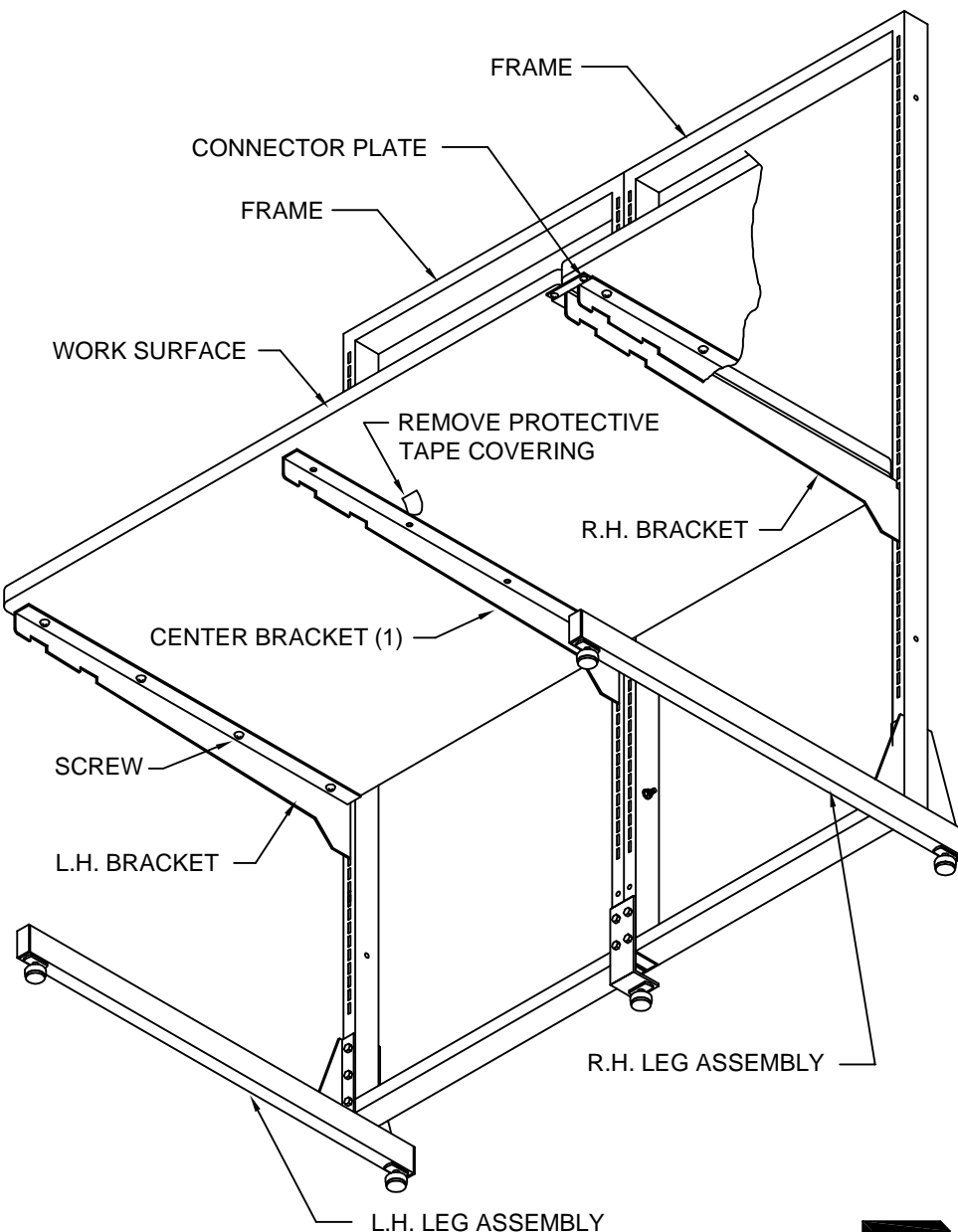
CONNECTOR PLATE

(Bag Assembly No. A4911 - if required):

1. Position plate at front of brackets equally spanning the seam of the tops, and mark the two holes.

2. Pre drill 2 holes, 1/8" diameter x 1/2" deep.

Attach Connector Plate with two #10 x 3/4 screws included with plate.



ASSEMBLY INSTRUCTIONS

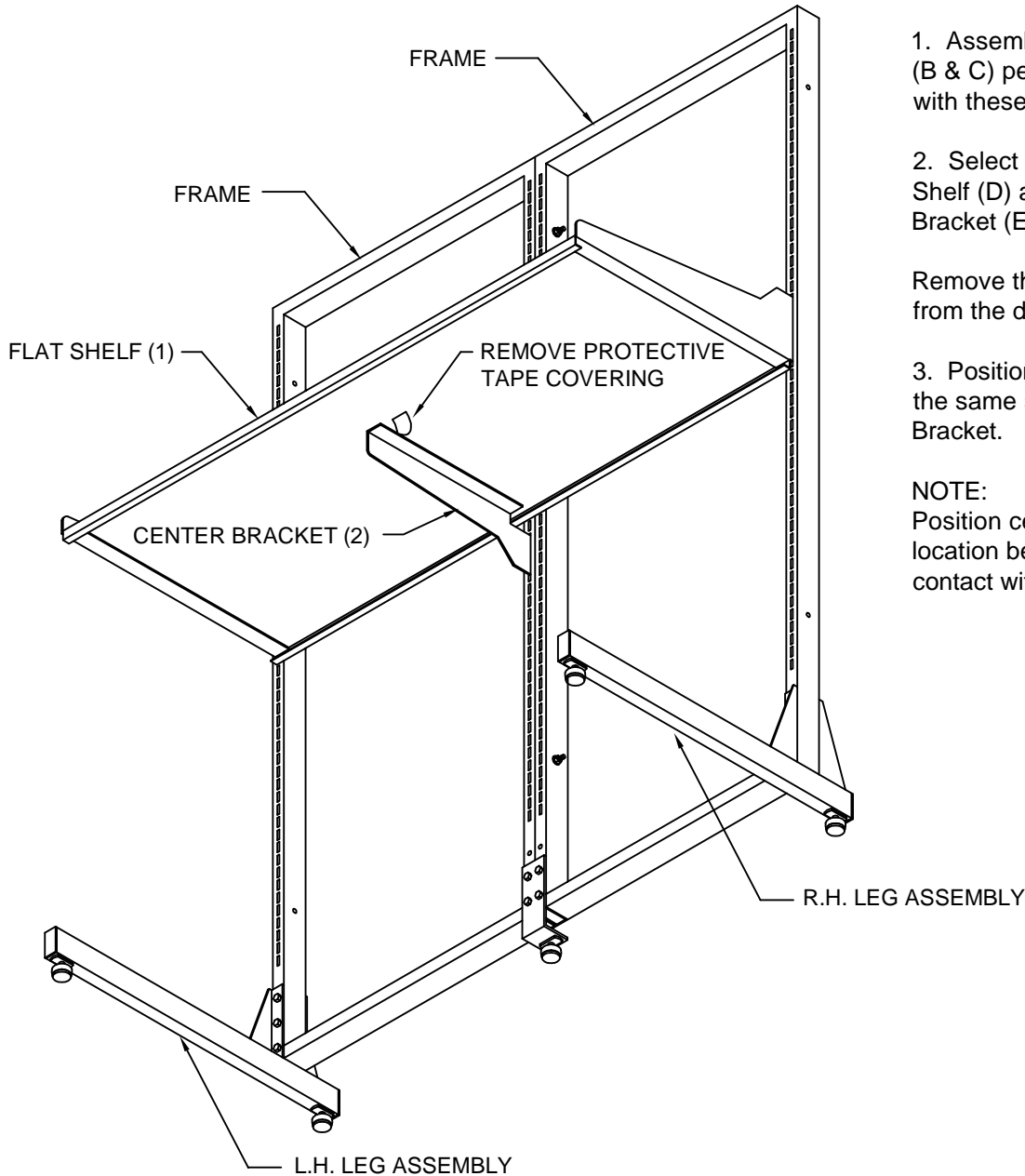
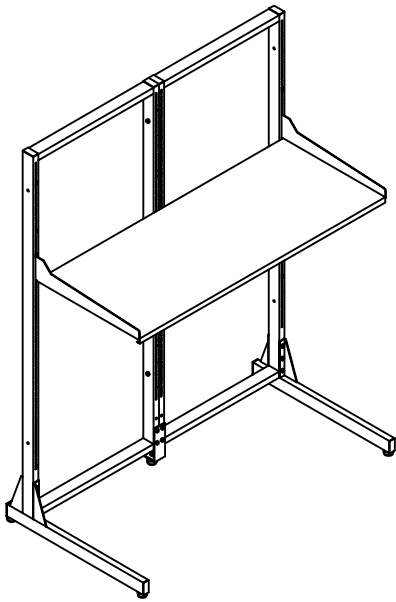
MAYTRIX™ LAN FURNITURE

CENTER SUPPORT ASSEMBLY

NOTE: Please count and inspect all pieces before disposing of any carton or packing materials.

COMPONENTS: When ordering components, specific color and/or size information may be required. Contact a Mayline Customer Service Representative. 1-800-822-8037

REF.#	QTY.	DESCRIPTION	PART No.
1	1	FLAT SHELF ASSEMBLY	CALL~~**
2	1	CENTER BRACKET SUPPORT	CALL~~**



1. Assemble Frames (A) and Legs (B & C) per instructions included with these components.

2. Select height desired for Metal Shelf (D) and install the Center Bracket (E).

Remove the protective covering from the double sided tape.

3. Position Metal Shelf supports at the same slot position as Center Bracket.

NOTE:
Position center bracket at desired location before the tape makes contact with the work surface.