

ASSEMBLY INSTRUCTIONS

MAYTRIX™ LAN FURNITURE

FRAME BRACE

NOTE: Please count and inspect all pieces before disposing of any carton or packing materials.

When ordering components, specific color and/or size information may be required.
Contact a Mayline Customer Service Representative. 1-800-822-8037

COMPONENTS: 350325 ** Denotes Color Code

REF.#	QTY.	DESCRIPTION	PART No.
1	1	R.H. BRACE ASSEMBLY	A4898**
2	1	L.H. BRACE ASSEMBLY	A4897**

COMPONENTS: 350325R

REF.#	QTY.	DESCRIPTION	PART No.
1	1	R.H. BRACE ASSEMBLY	A4898**

COMPONENTS: 350325L

REF.#	QTY.	DESCRIPTION	PART No.
1	1	L.H. BRACE ASSEMBLY	A4897**

HARDWARE BAG (PART No. A4901) **for individual item, order that part number*

REF. #	QTY.	DESCRIPTION	PART No.
E1	2	5/16 -12 x 1/2 HEX HEAD SCREW	X334*
E2	1	5/16 -12 x 1 HEX HEAD SCREW	X187*

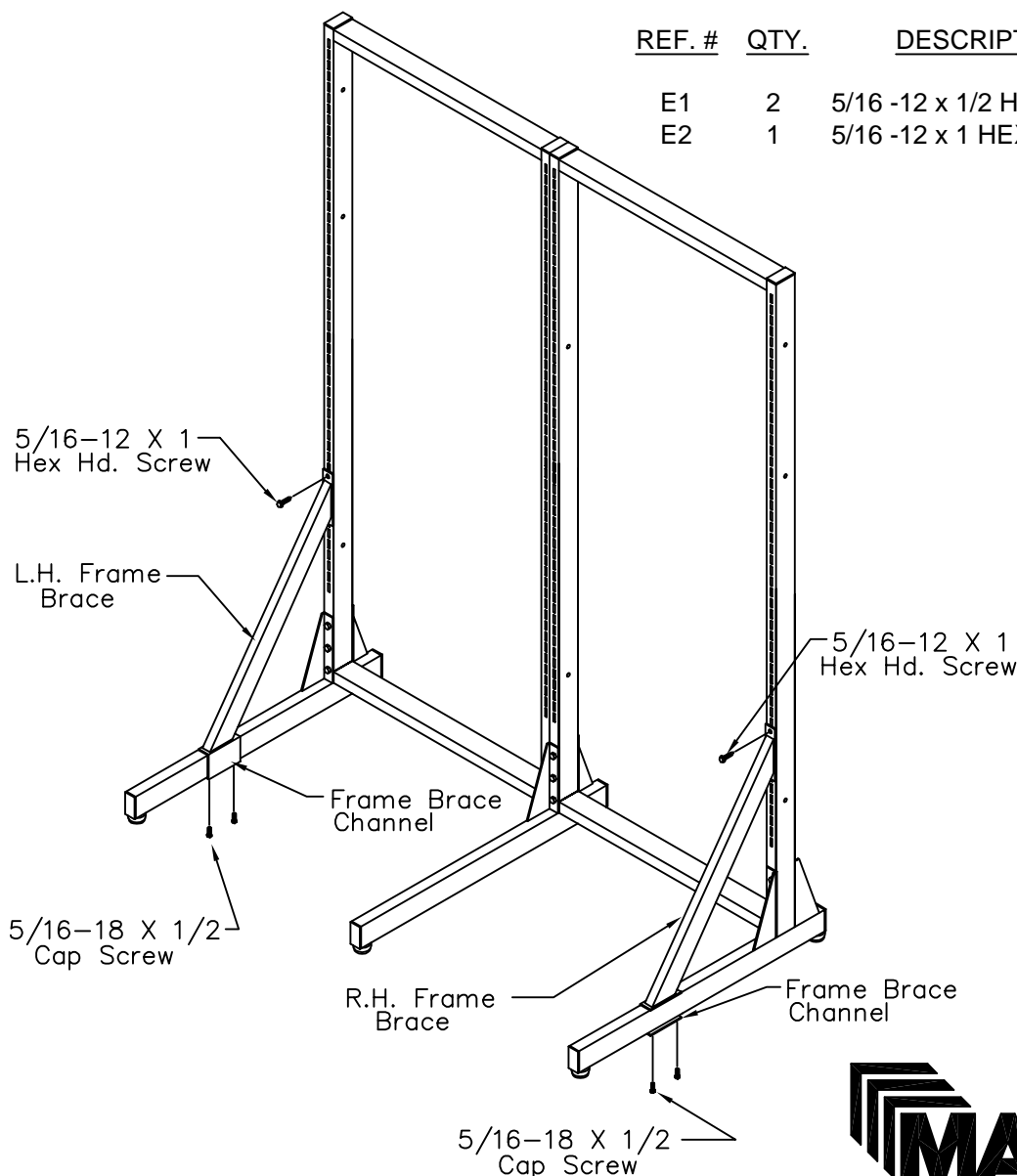
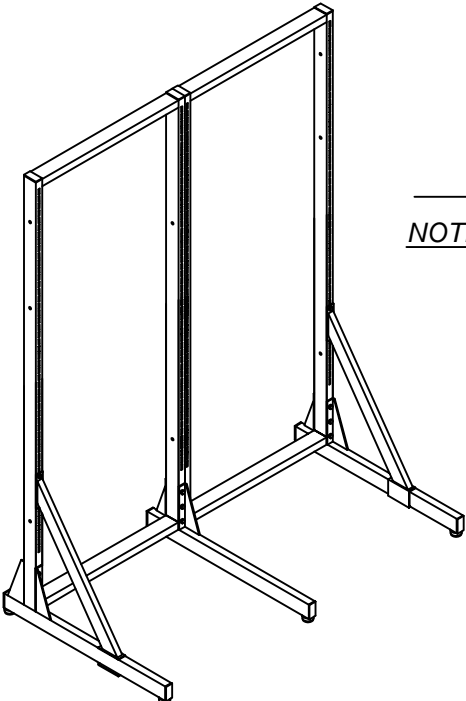
NOTE: ALL HARDWARE MAY NOT BE USED IN YOUR APPLICATION.

1. Position Frame Brace as shown with open side of channel facing outboard.

2. Attach Frame Brace to frame using one 5/16-12 x 1 Hex Head Screw.

3. Tighten the two 5/16-18 x 1/2 Cap Screws on Frame Brace Channel until Brace is tightly in place.

NOTE: IF YOUR APPLICATION REQUIRES MORE THAN ONE BRACE, REPEAT STEPS 1 THROUGH 3 ON THE OPPOSITE SIDE.



MAYLINE® Mayline Company, LLC
619 N. Commerce, P.O. Box 728
Sheboygan, WI 53082-0728
Toll Free: 1-800-822-8037
FAX: 920-457-7388
On Line: www.mayline.com