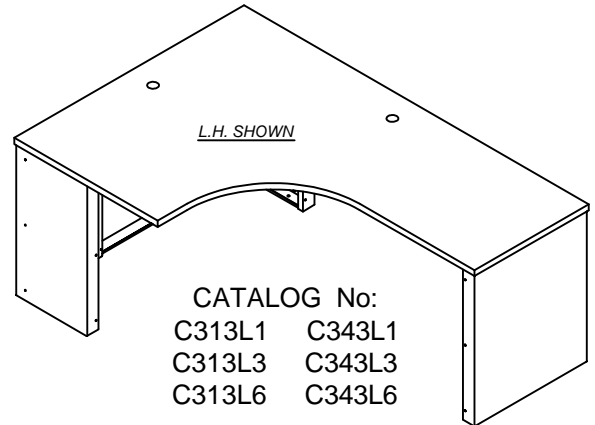
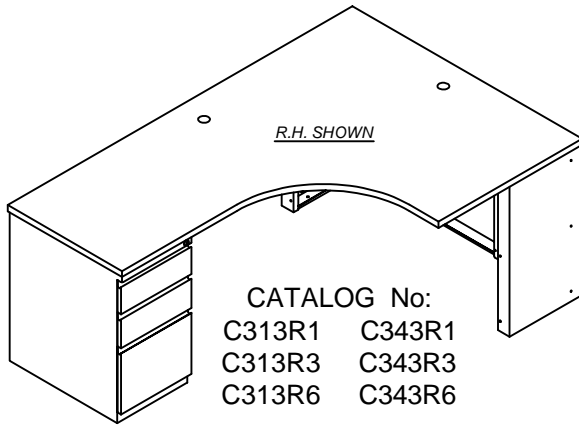


ASSEMBLY INSTRUCTIONS

CSII "J" TABLE



NOTE: Please count and inspect all pieces before disposing of any carton or packing materials.

COMPONENTS:

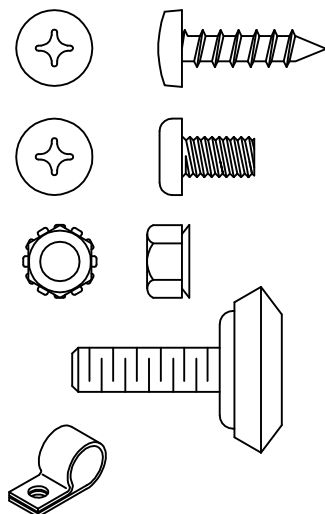
When ordering components, specific color and/or size information may be required.
 Contact a Mayline Customer Service Representative. 1-800-822-8037

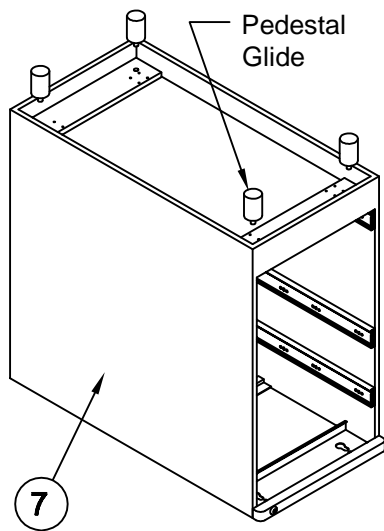
<u>REF. #</u>	<u>QTY.</u>	<u>DESCRIPTION</u>	<u>PART No.</u>
1	1	WORK SURFACE	CALL ~ ~ **
2	1	MODESTY PANEL (2/3 height)	B7480**
3	1	MODESTY PANEL (Full height)	B7485**
4	1	LEG (equal sides)	C733**
5	1	LEG (equal sides - extra mounting holes)	C734**
6	0 / 1	LEG (one long side)	C732**
7	1 / 0	DRAWER PEDESTAL	CALL **
8	1	JOINING PLATE	B7522
9	1	R.H. GUSSET	B7483**
10	1	L.H. GUSSET	B7482**

** Denotes Color Code
 ~ ~ Denotes Size

HARDWARE BAG (A7619) *for individual item, order that part number

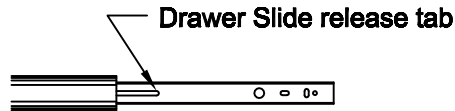
<u>REF. #</u>	<u>QTY</u>	<u>DESCRIPTION</u>	<u>PART No.</u>
E1	32	#10 X 3/4 SCREW	X11*
E2	16	#10-24- X 3/8 SCREW	X147*
E3	16	#10-24 KEPS NUT	T2*
E4	6	GLIDE	Q444*
E5	2	CABLE CLAMP	F191*





Drawer Pedestal Assembly:

1. Remove the Pedestal (5) from carton.
2. Remove all drawers from the Pedestal by pulling drawers out to the full extent. Locate the drawer slide release tab on each drawer slide. Press DOWN on the Right tab and LIFT the Left tab. Pull drawer forward to remove.
3. Turn the Pedestal upside down and install 4 Glides into threaded holes on bottom of Pedestal.



"J" Table Assembly:

NOTE: Shape, size, and accessories may vary but assembly procedure remains the same.

4. Place the Work Surface (1) face down onto a clean, protected surface.
5. Place Leg (4) in the corner of the Work Surface approximately 3/16 from the edges and align the holes in the Leg with the pre-drilled holes in the Work Surface. Attach Leg with six Screws (E1). DO NOT tighten screws at this time.

Place Leg (5) at the edge of the Work Surface (Short Side). Notice the position of the extra holes on the side of this Leg. These holes will be used to join two tables together. Position the Leg approximately 3/16 from the edges and align the holes in the Leg with the pre-drilled holes in the Work Surface. Attach Leg with six Screws (E1). DO NOT tighten screws at this time.

Place Leg (6) at the edge of the Work Surface (Long Side). Position the Leg approximately 3/16 from the edges and align the holes in the Leg with the pre-drilled holes in the Work Surface. Attach Leg with seven Screws (E1). DO NOT tighten screws at this time.

For units equipped with a Drawer Pedestal (7):

Place Drawer Pedestal (7) at the edge of the Work Surface (Long Side). Position approximately 3/16 from the edges and align the Pedestal holes with the pre-drilled holes in the Work Surface (NOTE: DO NOT USE keyhole slots). Attach the Pedestal with four Screws (E1) - two at the front and two at the rear. DO NOT tighten screws at this time.

6. Position the Modesty Panels (2 & 3) between the Legs (Leg and Pedestal). Align the holes in the Panel with the pre-drilled holes in the Work Surface. Secure Panels to the Work Surface with Screws (E1). DO NOT tighten screws at this time.

7. Attach the Modesty Panels (2 & 3) to each Leg with three Screws (E2) and three KEPS Nuts (E3) per end. Modesty Panel does not get attached to the Pedestal Unit.

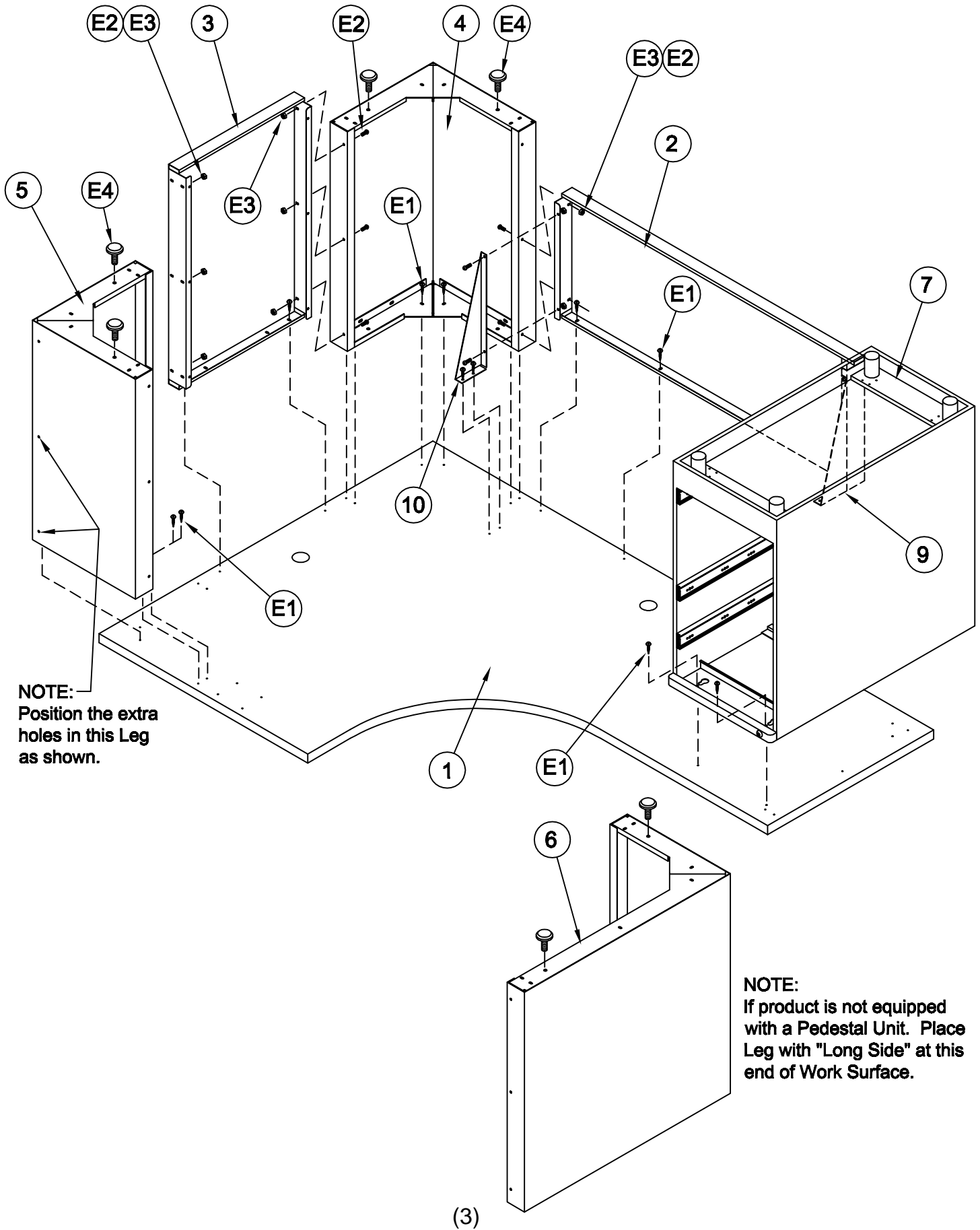
8. Gussets (9 & 10) are required on the Long Modesty Panel (2) only. Align the holes in the Gussets and the holes in the Long Modesty Panel. Attach each Gusset with two Screws (E2) and two KEPS Nuts (E3). Attach each Gusset to the Work Surface with two Screws (E1).

9. Tighten all screws at this time.

10. Install two Glides (E4) into each Leg.

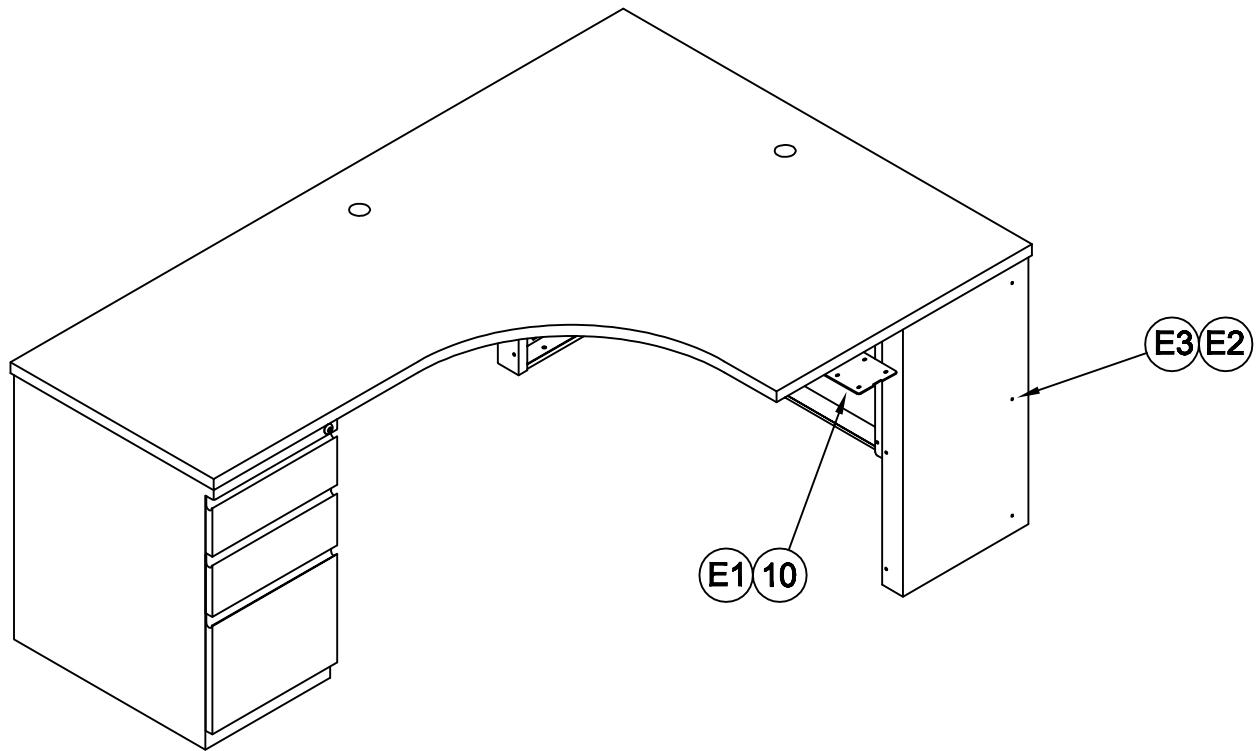
"J" Desk Assembly:

NOTE: Shape and size may vary but assembly procedure remains the same. Legs are specific to locations. Pedestal Unit may only be attached on long portion of top.



NOTE:
Position the extra holes in this Leg as shown.

NOTE:
If product is not equipped with a Pedestal Unit. Place Leg with "Long Side" at this end of Work Surface.



11. Place the assembled desk in the upright position. MAYLINE recommends that a minimum of two people perform this task.

12. Place the desk at the location where it will be used. MAYLINE recommends that a minimum of two people perform this task.

13. Level the assembly by adjusting the Leg glides. If your assembly includes a drawer Pedestal, adjust all four glides under that unit.

14. Two Cable Clamps (E5) are included to position cables away from work area. Attach the clamps to the Work Surface with one Screw (E1) per clamp.

15. OPTIONAL: Secure the "J" Table to the adjacent table using eight Screws (E1) through the Joining Plate (8) into the pre-drilled holes in the underside of the Work Surfaces. Secure the Legs of the "J" table to the adjacent table using three Screws (E2) and three KEPS Nuts (E3).

16. If your assembly includes a Drawer Pedestal, return all drawers to the pedestal at this time.