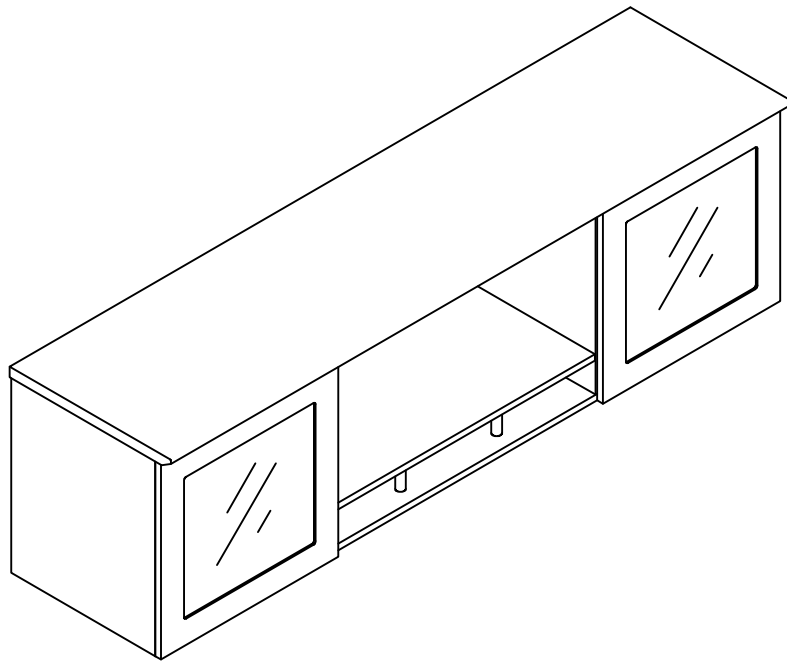


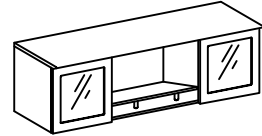



Medina Series™
Wall Mount Hutch
Model No. MNH63/72



ASSEMBLY INSTRUCTIONS
CALL 1-800-822-8037 FOR ASSISTANCE

PARTS LIST

Name	Part	Qty.
X	 MNH~~** Hutch	1
Y	 MNHY~~** Wall Mounting Board	1

IMPORTANT!

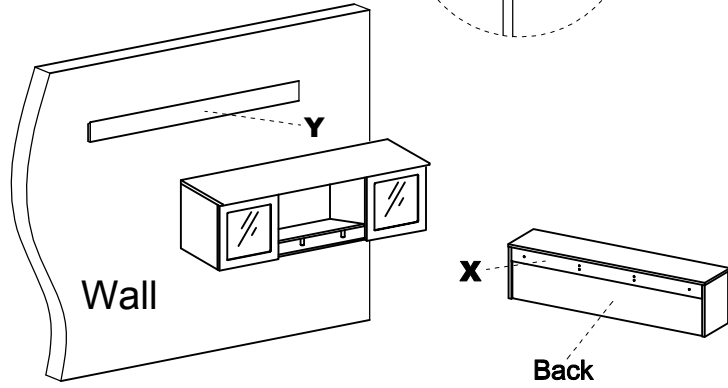
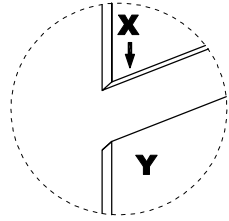
Review ALL instructions before beginning assembly. These instructions are provided to avoid problems that may occur from improper assembly or installation. Mayline and/or its distributor are not responsible for failure resulting from improper assembly or installation of this product. Moreover, all warranties are void for failure to follow these assembly instructions.

** Denotes Color Code
~~ Denotes Size-63/72

1

Mounting Board Installation - Due to the various wall construction methods, it is up to a professional installer to secure the Wall Mounting Board (Y) to the wall with the proper fasteners and/or anchors as required by the wall construction at the desired mounting location. Mayline does not take responsibility for safe, proper fastening.

To Hang Cabinet - Position cabinet so that Mounting Board (X) is above Wall Mounting Board (Y) and lower cabinet until Mounting Board (X) and Wall Mounting Board (Y) lock together.



2

