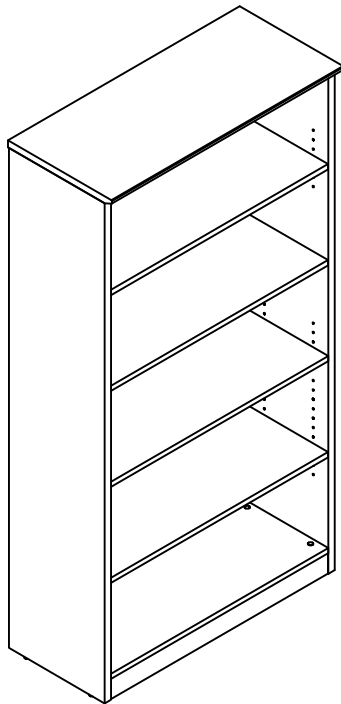


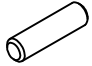













Medina Series™  
Bookcase, 5 Shelf  
Model No. MVB5



ASSEMBLY INSTRUCTIONS  
CALL 1-800-822-8037 FOR ASSISTANCE

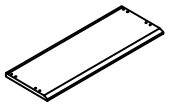
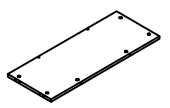
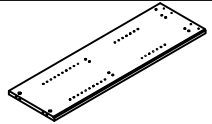
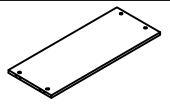
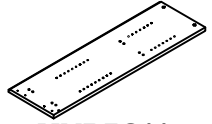

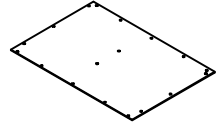
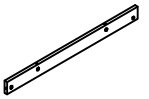
# PARTS LIST

Name	Part	Qty.	Spare Qty	Name	Part	Qty.	Spare Qty
<b>A</b>	 <b>REALS004</b> Wood Dowel	12	1	<b>G</b>	 <b>REALBY009</b> 3.5 x 14mm	16	1
<b>B</b>	 <b>REALS001</b> Cam Lock	16	1	<b>H</b>	 <b>REALBY028</b> Wrench	1	
<b>C</b>	 <b>REALS003</b> Cam Post	16	1	<b>I</b>	 <b>REALS415</b> Ø3X16mm	23	2
<b>D</b>	 <b>REALS102**</b> Cam Sticker	12	1	<b>J</b>	 <b>REALS230**</b> Cam Cap	4	1
<b>E</b>	 <b>REALBY018</b> Leveler	4		<b>K</b>	 <b>REALS416</b> ANTI-TILT SYSTEM PACK	1	
<b>F</b>	 <b>REALS009</b> Shelf Support	12	1		 <b>MVB5HB</b>		

Items with HB are in hardware box.

\*\*Denotes Color Code

# PARTS LIST

Name	Part	Qty.	Name	Part	Qty.
<b>N</b>	 <b>MVB5N**</b> Top	<b>1</b>	<b>S</b>	 <b>MVB5S**</b> Bottom	<b>1</b>
<b>P</b>	 <b>MVB5P**</b> Left Side Panel	<b>1</b>	<b>T</b>	 <b>MVB5T**</b> Fixed Shelf	<b>1</b>
<b>Q</b>	 <b>MVB5Q**</b> Right Side Panel	<b>1</b>	<b>U</b>	 <b>MVB5U**</b> Adjustable Shelves	<b>3</b>
<b>R</b>	 <b>MVB5R**</b> Back Panel	<b>1</b>	<b>V</b>	 <b>MVB5V**</b> Toe Kick	<b>1</b>

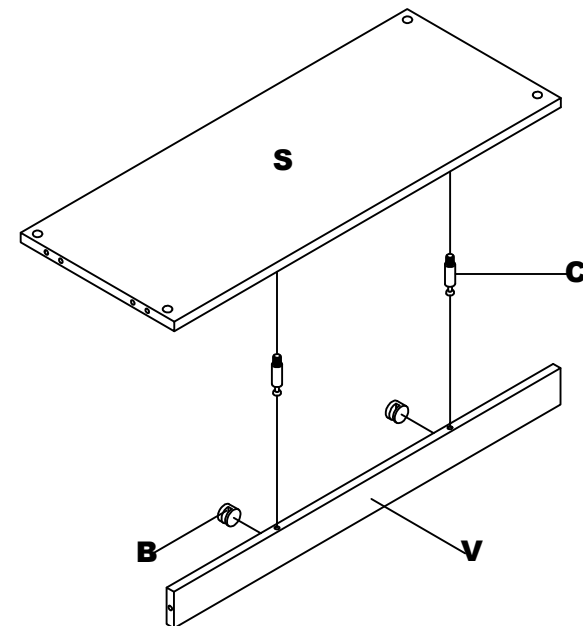
\*\*Denotes Color Code

**2**

## IMPORTANT!

**Review ALL instructions before beginning assembly.** These instructions are provided to avoid problems that may occur from improper assembly or installation. Mayline and/or its distributor are not responsible for failure resulting from improper assembly or installation of this product. Moreover, all warranties are void for failure to follow these assembly instructions.

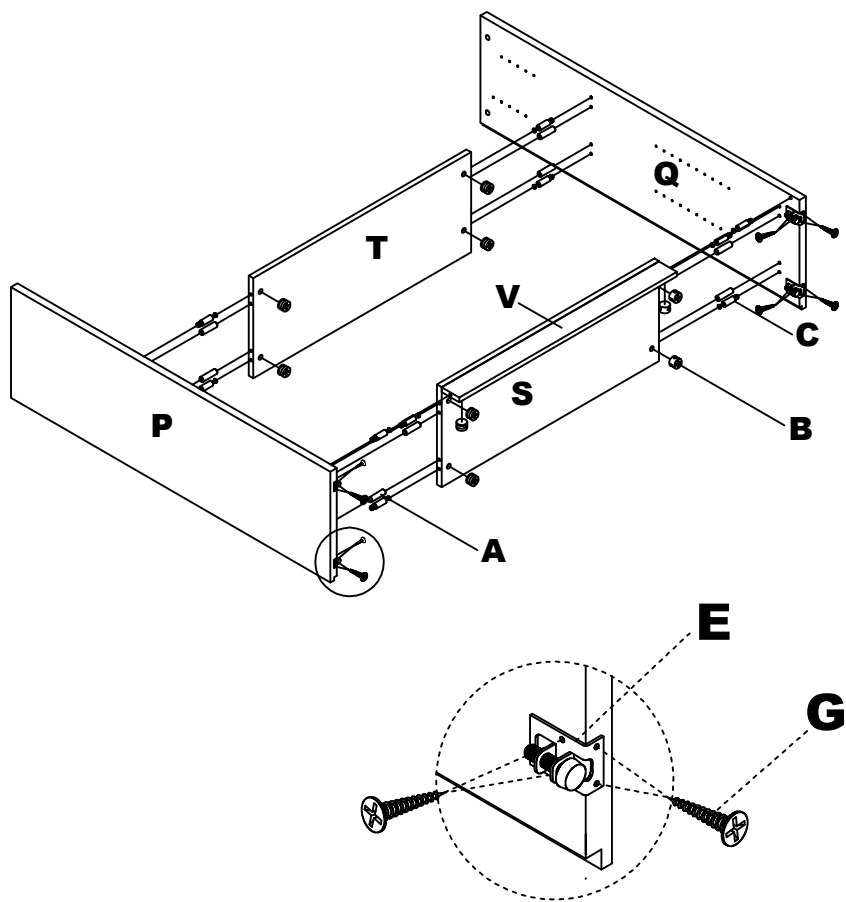
- 1 Install Cam Post (C) in to the underside of the Bottom (S) and the backside of the Toe Kick (V). Fasten the Toe Kick (V), Bottom (S) by turning Cams (B).



NOTE: The arrow on the face of the Cam (B) should point towards the Cam Post (C) for proper alignment.

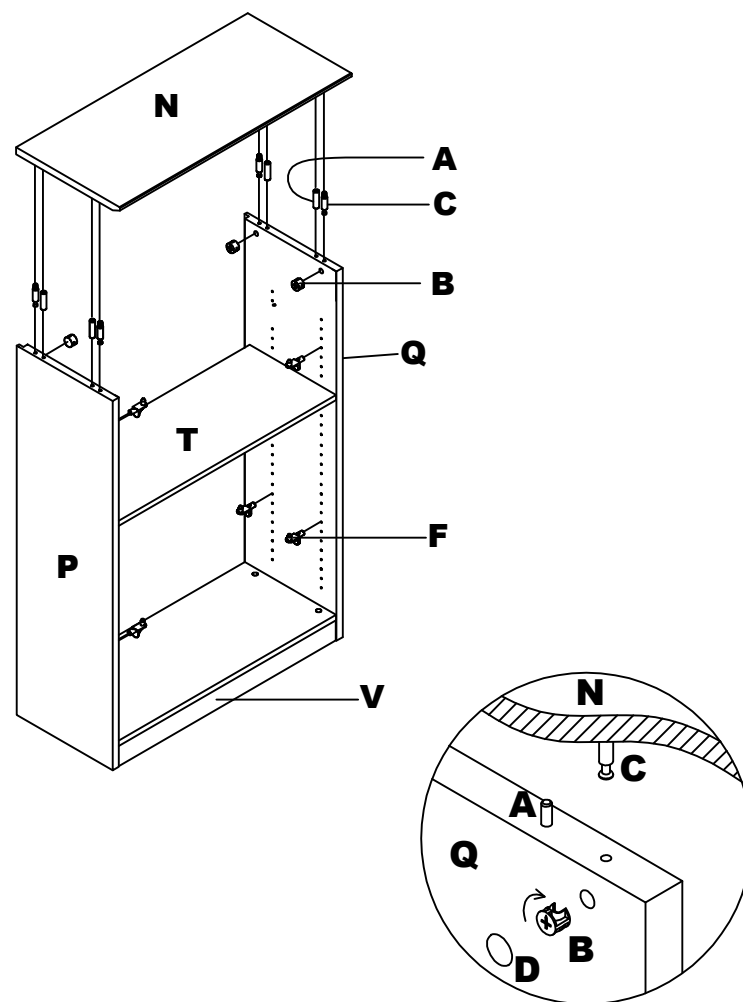
**3**

- 2** Insert Dowels (A) and Cams (B) into Fixed Shelf (T), Bottom (S), Toe Kick (V) . Install Cam Posts (C) into the Side Panels (P & Q). Fasten Side Panels (P & Q) to Fixed Shelf (T), Bottom (S), Toe Kick (V) by turning Cams (B). Attach Leveler Assembly (E) to the Side Panels (P & Q) using Screws (G).



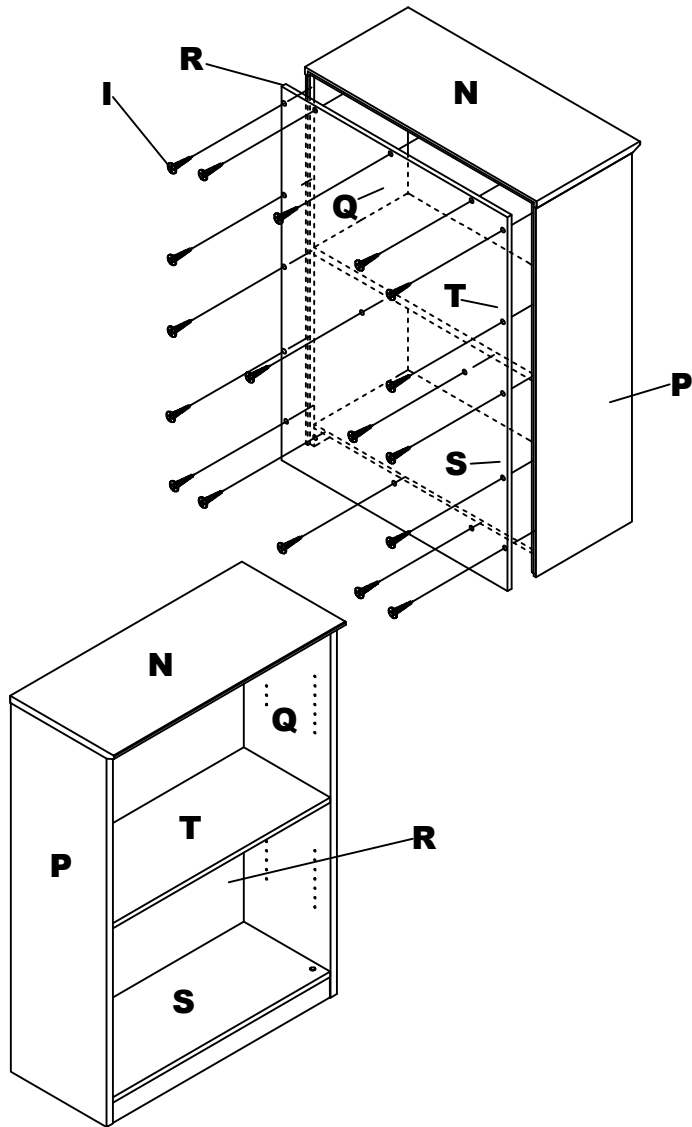
4

- 3** Install Cam Posts (C) into the Top (N). Fasten Top (N) to Side Panels (P & Q), Insert Shelf Supports (F) into the Side Panels (P & Q) at the desired height. Adhere the Cam Stickers (D) to exposed Cams (B).



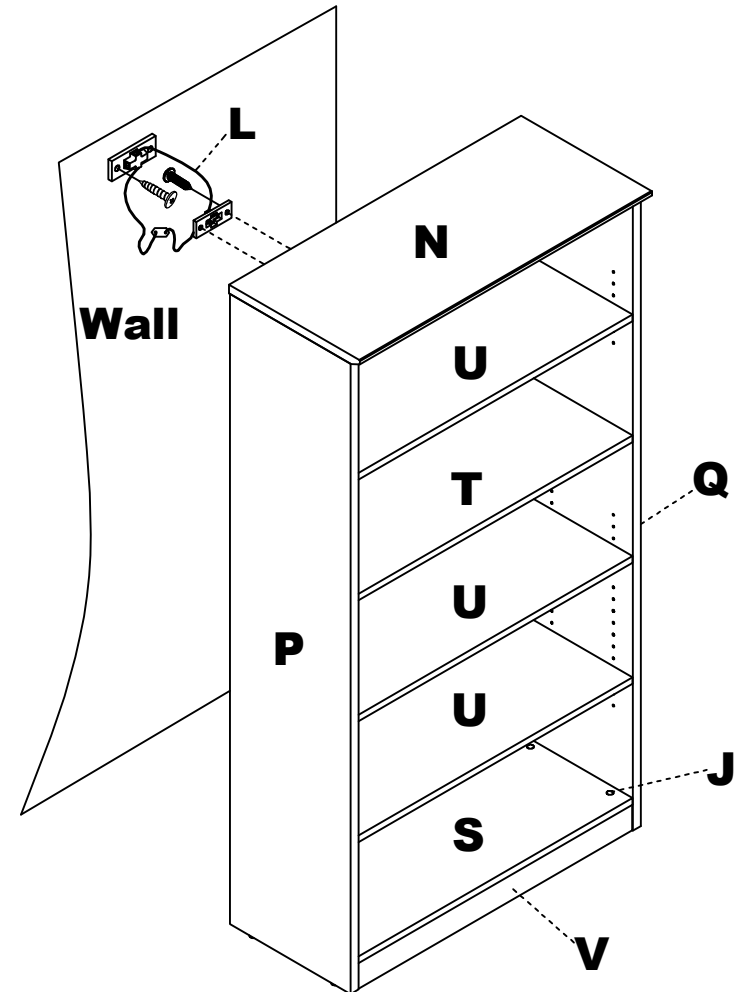
5

- ④ Attach the Back Panel (R) to Top (N), the Side Panels (P & Q), Fixed Shelf (T) and Bottom (S) using Screws (Y).



6

- ⑤ Place Bookcase at desired location and level Bookcase using Wrench (H). Adhere the Cam Caps (J) to Leveler access holes in Bottom (S). Install Adjustable Shelves (U). Install Bookcase to wall by ANTI-TILT SYSTEM PACK (L) if necessary.



7