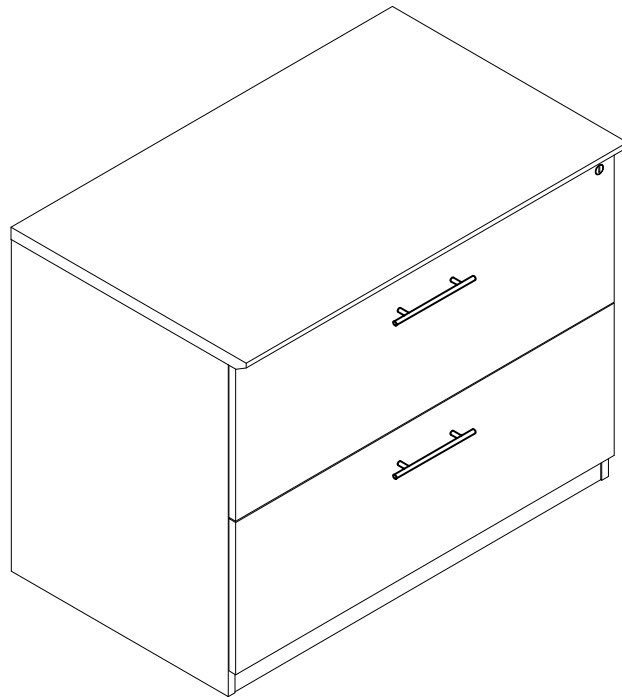


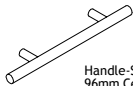





Medina Series™
Lateral File, 2 Drawer
Model No. MVLF


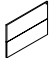






ASSEMBLY INSTRUCTIONS
CALL 1-800-822-8037 FOR ASSISTANCE

PARTS LIST

Name	Part	Qty.	Spare Qty.	Name	Part	Qty.	Spare Qty.
A	 Handle-Silver 96mm Center HB	2		C	 REALBY028 Wrench HB	1	
B	 REALS410 Handle and Screw	4		D	 Keys HB	1	

Pre-Installed Replacement Parts List

Part	Included Qty.	Part	Included Qty.
 REALS244 14\"	2	 MVLFDF** Drawer Fronts, Set of 2	1
 REALBY048 Drawer Interlock	2	 REALS060 Legal Hanger Bar	2
 REALBY018 Leveler	4	 REALS270 Lock w/ Key	1

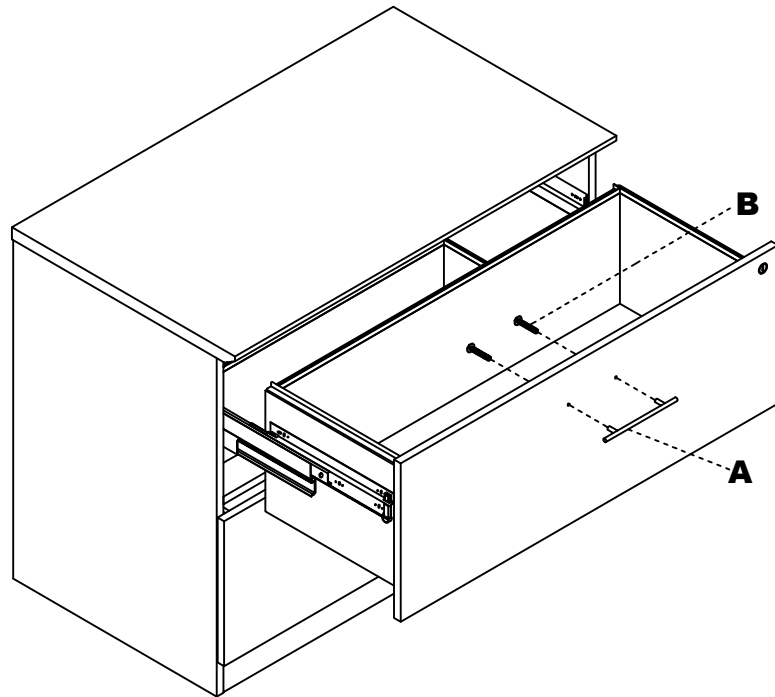
Items with HB are in hardware box.

**Denotes Color Code

IMPORTANT!

Review ALL instructions before beginning assembly. These instructions are provided to avoid problems that may occur from improper assembly or installation. Mayline and/or its distributor are not responsible for failure resulting from improper assembly or installation of this product. Moreover, all warranties are void for failure to follow these assembly instructions.

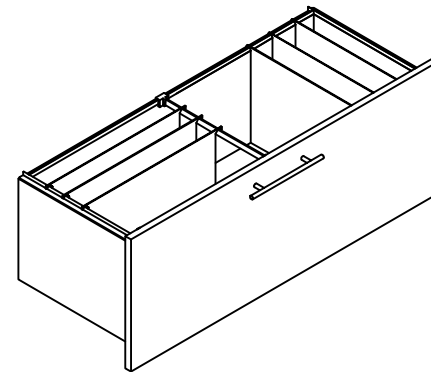
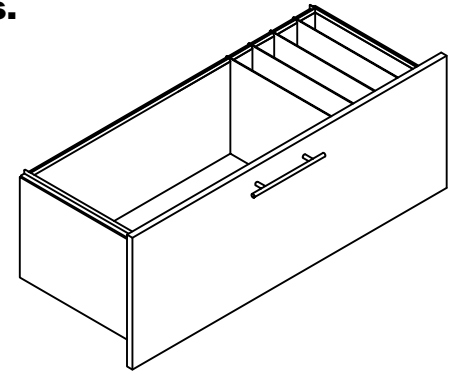
- ① Attach Handles (A) to the fronts of Drawer using Screws (B) .



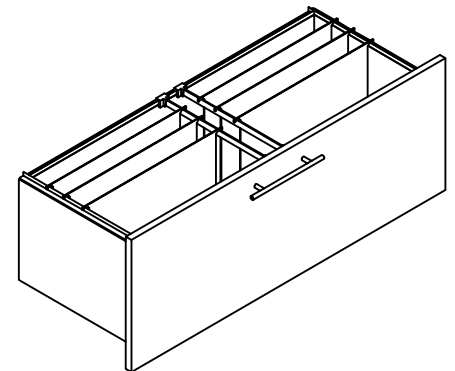
Note: Only open one drawer at a time.

2

No filing bars required for Letter sized hanging folders.



One filing bar for combination of Letter and Legal sized hanging folders.



Two filing bars for Legal sized hanging folders.

3