

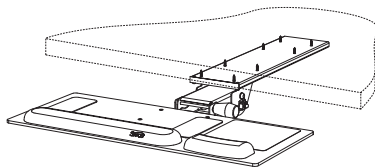
ASSEMBLY INSTRUCTIONS

For questions or concerns, please call
Safco Consumer Hot Line 1-800-664-0042
 available Monday-Friday 7:30 AM to 5:00 PM (Central Time)
 (English-speaking operators)

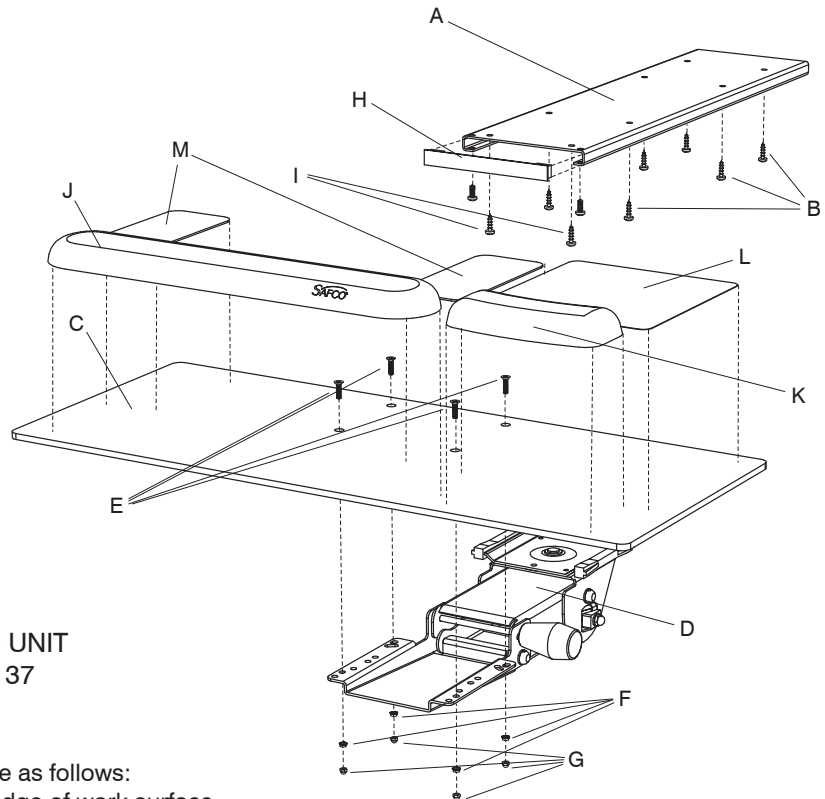
Sort and count your parts!

PARTS LIST			
LETTER CODE	DESCRIPTION	QTY.	PART NO.
A	Track	1	2136-06
B	5/8" Tapping Screw	8	2136-23
C	Keyboard Tray	1	2137-01
D	Arm Mechanism	1	2136-05
E	Flat Head Machine Screw	4	2137-28
F	Lock Nut	4	2137-24
G	Acorn Nut	4	2137-23
H	Endcap	1	2136-12
I	1/2" Threadcutting Screw	2	2136-24
J	Keyboard Wrist Rest	1	2136-10
K	Mouse Wrist Rest	1	2137-11
L	Clear Mousing Surface	1	2137-14
M	Keyboard Pad	2	2136-13

**TOOLS REQUIRED: Phillips Screwdriver;
 Drill with 1/8" Bit**



ASSEMBLED UNIT
 MODEL 2137



- 1** Mount the **A** Track to the underside of work surface as follows:
 - a) Make sure Track is mounted square to front edge of work surface.
 - b) Front edge of Track should be approximately 1/2" back from front of work surface.
 - c) Drill 1/8" pilot holes about 5/8" deep at each of the Track holes, taking care NOT to drill through to the other side of the work surface.
 - d) Install eight **B** 5/8" Tapping Screws along both sides of Track (four per side), and tighten enough to remove slight bow from Track.
- 2** Mount the **C** Keyboard Tray to the **D** Arm Mechanism with four **E** Flat Head Machine Screws, and fasten with four **F** Lock Nuts and four **G** Acorn Nuts.
- 3** Loosen the knob on the Arm Mechanism, and lower the Mechanism to its "down" position. Retighten the knob.
- 4** Slide the Mechanism into the grooves of the Track until the Mechanism hits the backstop.
- 5** Fasten the **H** Endcap into place with two **I** 1/2" Threadcutting Screws, going through the Track and into the Endcap.
- 6** Temporarily arrange the **J** Keyboard Wrist Rest, your keyboard, the **K** Mouse Wrist Rest, and the **L** Clear Mousing Surface into place on the Keyboard Tray. Note that the Keyboard Wrist Rest has a slight slant, and the Mouse Wrist Rest has a slight curve; arrange these for your own comfort. Slide the two **M** Keyboard Pads under the ends of your keyboard until they properly support it; mark these positions and remove the keyboard. Peel off the protective paper backing on the backs of the two Wrist Rests and the Keyboard Pads and press them into place.
- 7** If desired, remove the protective paper from the adhesive spots on the **L** Clear Mousing Surface; mount it onto the Keyboard Tray (slide your favorite photo under it).
- 8** Adjust the Mechanism as follows:
 - a) Lift the Keyboard Tray slightly to push in or pull out.
 - b) Lift and press down or pull up to adjust the height; release to lock in place.
 - c) Loosen the tilt knob on the right side of the Mechanism, position the Keyboard Tray at the desired angle, and retighten the knob.
 - d) The Mechanism will also swivel to the left or right with a moderate push to the side.