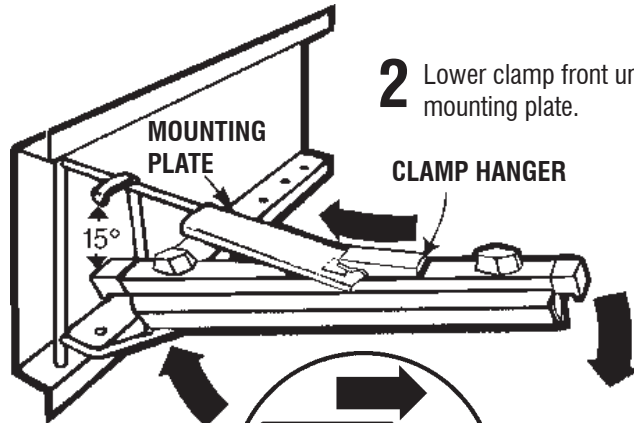


MOUNTING CLAMPS TO BRACKETS

1 Push Hanging Clamp hanger over mounting plate at approximately 15° angle.



2 Lower clamp front until back engages mounting plate.

BACK KNOB

3 A quick pull toward you will lock the back knob over the mounting plate.

MOUNTING PLATE

4 Reverse the procedure to disengage clamp.

HOW TO STORE PRINTS & DRAWINGS IN CLAMPS

Loosen screw knobs on top of clamp and insert prints. Hand tighten knobs until prints are secure. **Do not use pliers or wrench as damage may result.**

