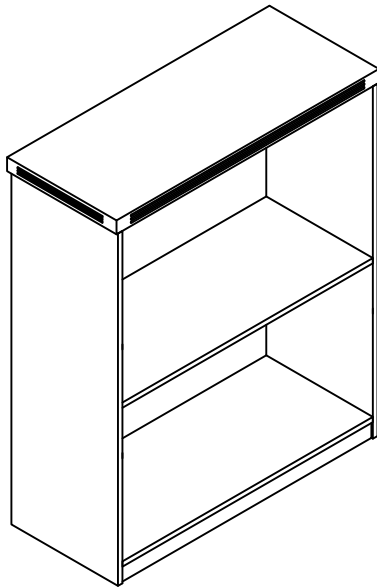


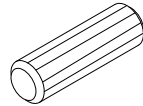
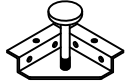
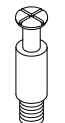

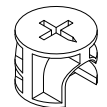


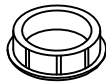


Aberdeen Series™
2 Shelf Bookcase
Model No. AB2S36



ASSEMBLY INSTRUCTIONS

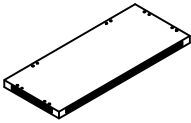
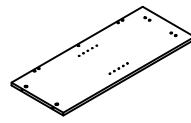
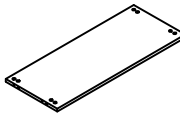
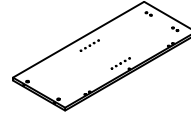
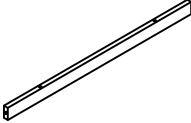
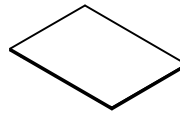
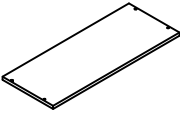
CALL 1-800-822-8037 FOR ASSISTANCE

PARTS LIST

Name	Part	Qty.	Spare Qty	Name	Part	Qty.	Spare Qty
A	 REALS004 Wood Dowel	21	2	F	 REALS008 Corner Bracket w/ Glide	4	
B	 REALS003 Cam Post	16	1	G	 REALS005 Ø4 x 16mm	24	2
C	 REALS001 Cam Fastener	16	1	H	 REALS104 Grommet	1	
D	 REALS102** Cam Sticker	16	1	H1	 REALS230** Cap	4	
E	 REALS009 Shelf Support Pin	4	1		 AB2S36HB		

Items with HB are in hardware box.
**Denotes Color Code

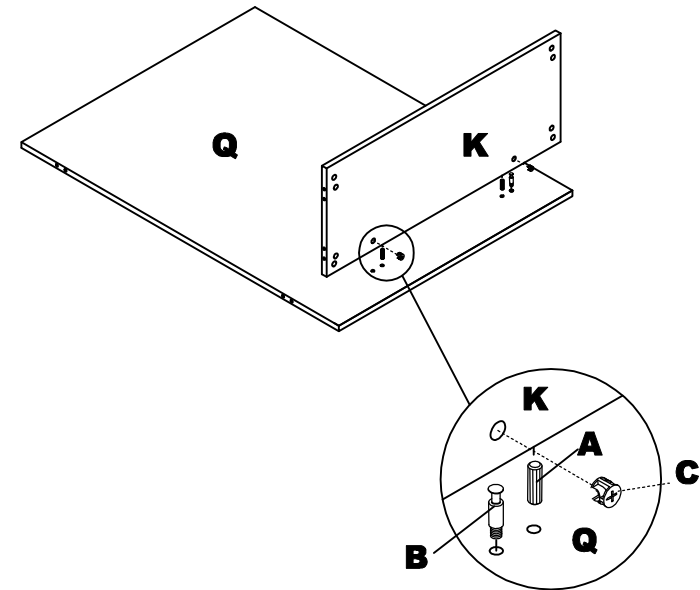
PARTS LIST

Name	Part	Qty.	Name	Part	Qty.
J	 ABS36J** Top	1	N	 AB2SN** Left Side Panel	1
K	 ABS36K** Bottom	1	P	 AB2SP** Right Side Panel	1
L	 ABS36L** Toe Kick	1	Q	 AB2S36Q** Back Panel	1
M	 ABS36M** Shelf	1			

**Denotes Color Code

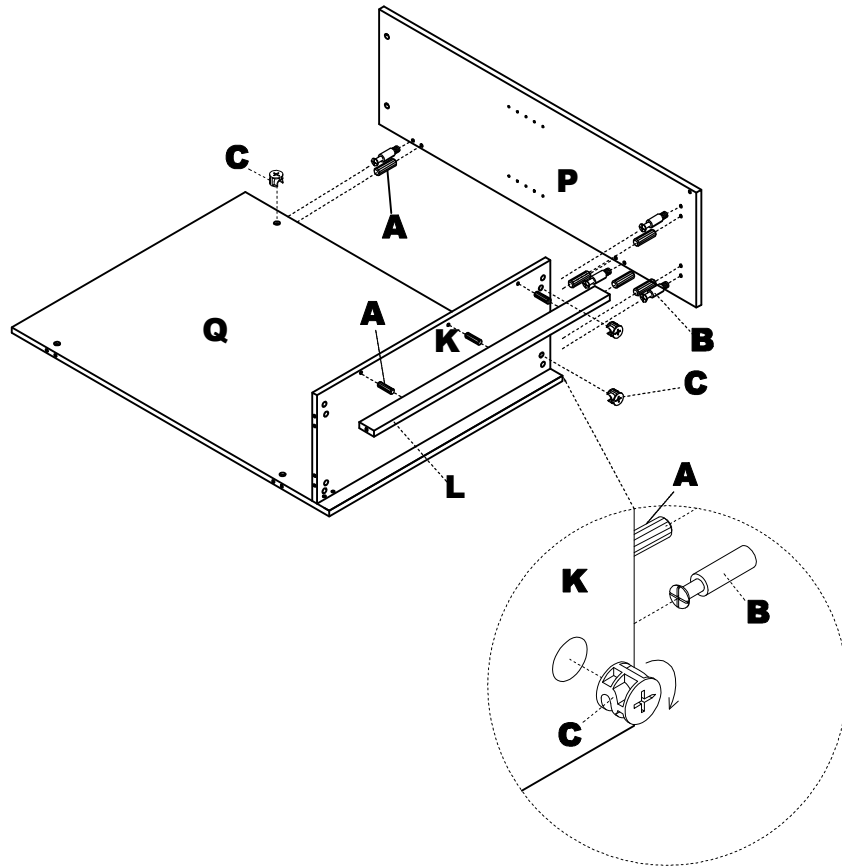
2

- 1** Insert Wood Dowels (A) into Bottom (K). Insert Cams (C) into Bottom (K). Install Cam Posts (B) into threaded inserts in Back Panel (Q). Attach Back Panel (Q) to Bottom (K) by turning Cams (C).



3

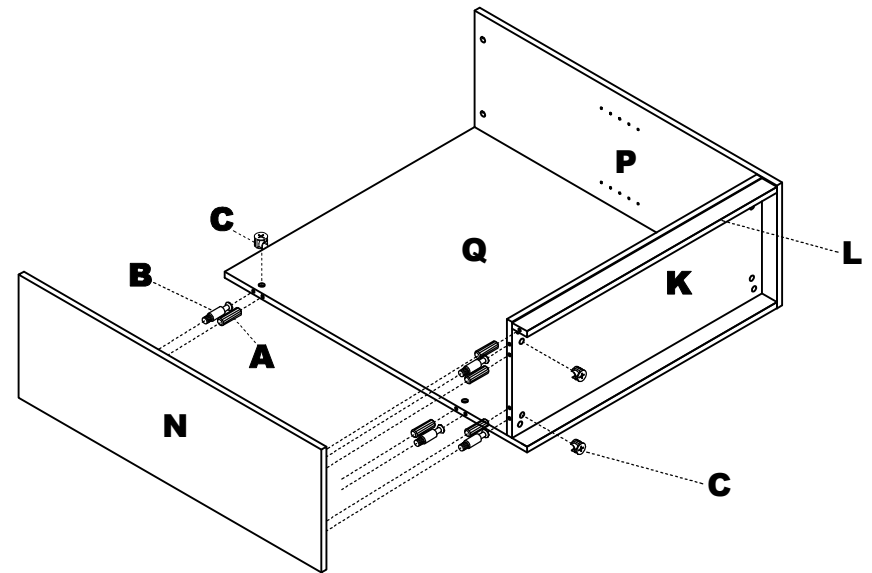
- 2** Insert Wood Dowels (A) into Back Panel (Q), Bottom (K), and Toe Kick (L). Insert Cams (C) into Back Panel (Q) and Bottom (K). Install Cam Posts (B) into threaded inserts in Right Side Panel (P). Press Toe Kick (L) to Bottom (K). Attach Right Side Panel (N) to Back Panel (Q) and Bottom (K) by turning Cams (C).



NOTE: The arrow on the face of the Cam (C) should point towards the Cam Post (B) for proper alignment.

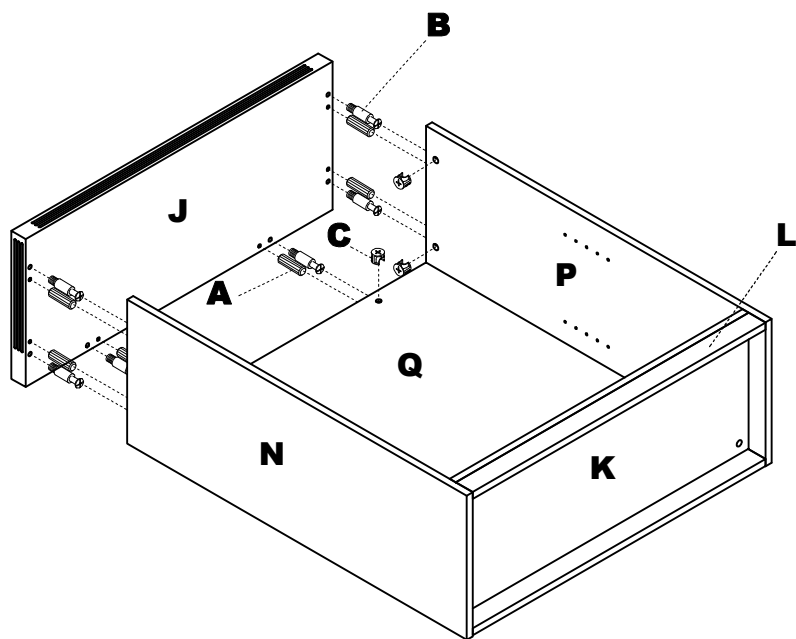
4

- 3** Insert Wood Dowels (A) into Back Panel (Q), Bottom (K), and Toe Kick (L). Insert Cams (C) into Back Panel (Q) and Bottom (K). Install Cam Posts (B) into threaded inserts in Left Side Panel (N). Attach Left Side Panel (N) to Back Panel (Q) and Bottom (K) by turning Cams (C).



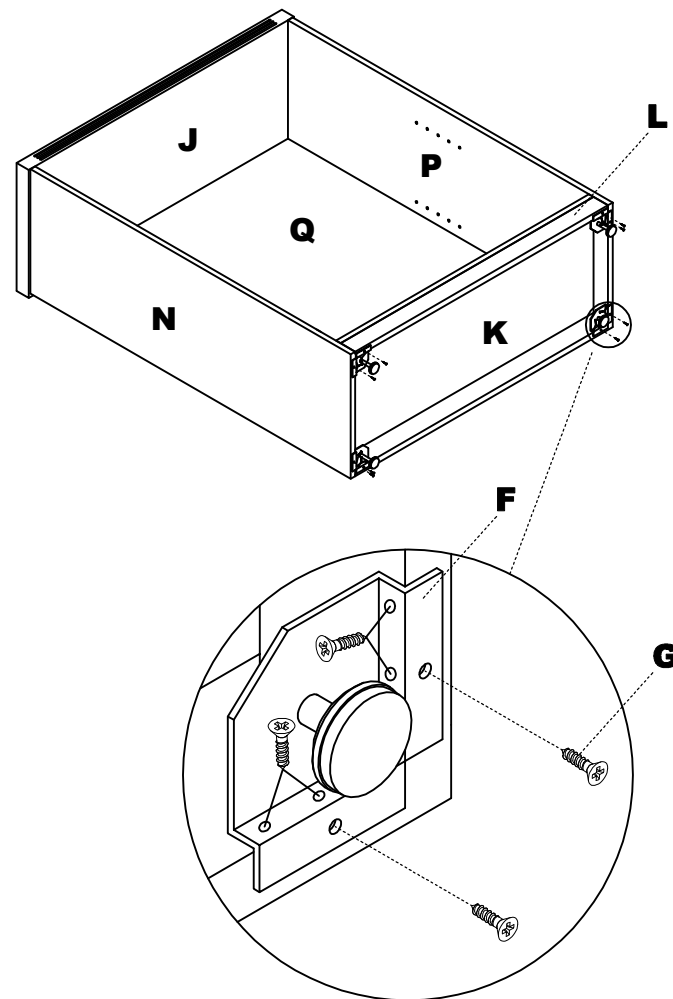
5

- 4** Insert Wood Dowels (A) into Back Panel (Q) and Side Panels (N & P). Insert Cams (C) into Back Panel (Q) and Side Panels (N & P). Install Cam Posts (B) into threaded inserts in Top (J). Attach Top (J) to Back Panel (Q) and Side Panels (N & P) by turning Cams (C).



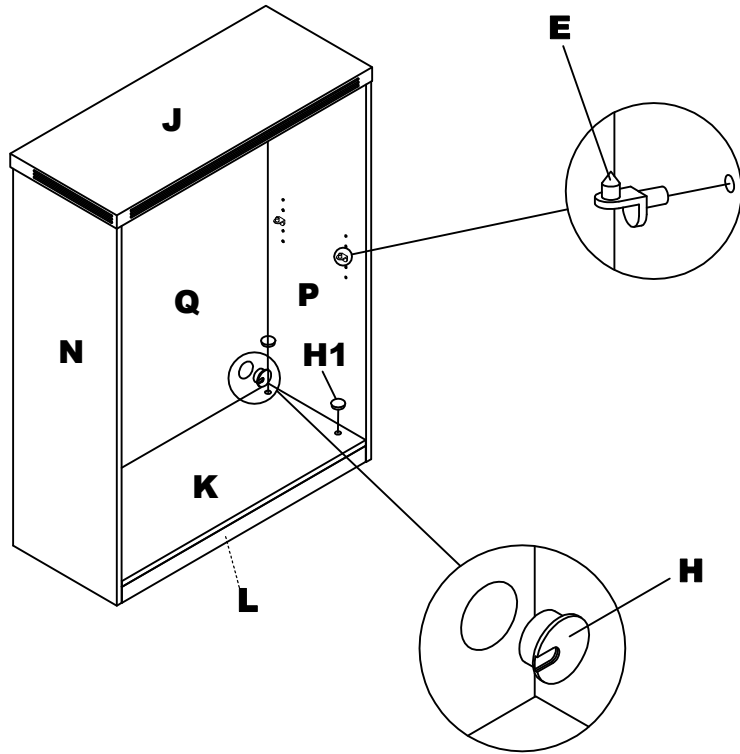
6

- 5** Attach Corner Brackets with Glides (F) using Screws (G).



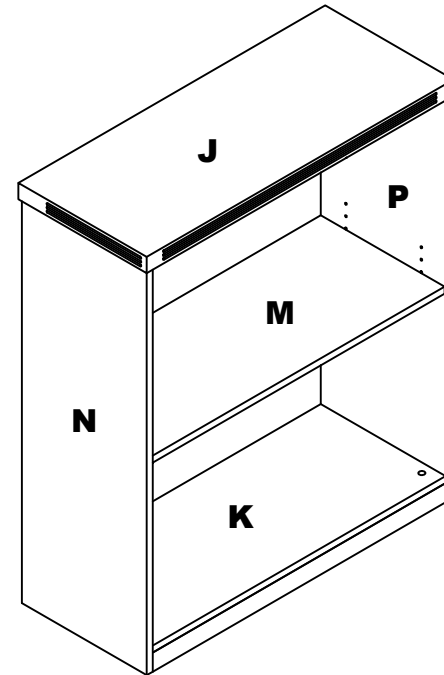
7

- 6** Install Shelf Support Pins (E). Insert Grommet (H) into Back Panel (Q). Apply Cam Stickers (D) over exposed Cams (C). Insert Caps (H1) into adjustment holes for Levelers.



8

- 7** Install Shelf (M).



9