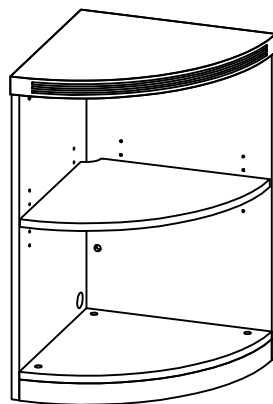


realoffice

MAYLINE®

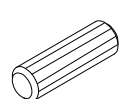

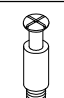

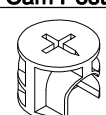



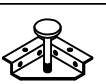


**Aberdeen Series™
2 Shelf Quarter Round Bookcase
Model No. ABQ2**



ASSEMBLY INSTRUCTIONS






CALL 1-800-822-8037 FOR ASSISTANCE

PARTS LIST

| Name | Part | Qty. | Spare Qty | Name | Part | Qty. | Spare Qty |
|----------|--|-----------|-----------|-----------|--|-----------|-----------|
| A |  REALS004 Wood Dowel | 10 | 1 | F |  REALS005 Ø4 x 16mm | 18 | 2 |
| B |  REALS003 Cam Post | 10 | 1 | G |  REALS065 Shelf Cam | 4 | |
| C |  REALS001 Cam Fastener | 10 | 1 | H |  REALS066 Shelf Post | 4 | |
| D |  REALS102** Cam Cap | 10 | 1 | H1 |  REALS230** Cap | 3 | |
| E |  REALS008 Corner Bracket with Glide | 3 | | J |  REALS104 Grommet | 1 | |
| | | | | |  ABQ2HB | | |

Items with HB are in hardware box.
**Denotes Color Code

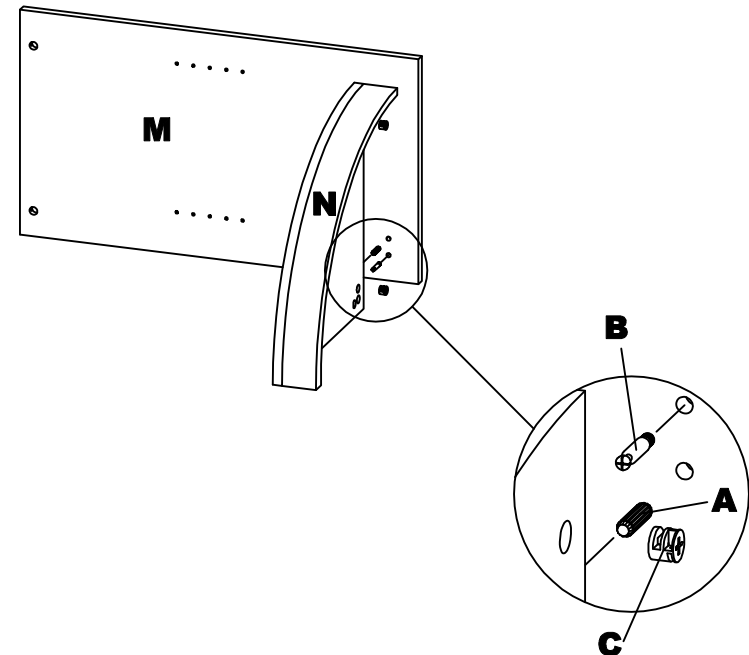
PARTS LIST

| Name | Part | Qty. | Name | Part | Qty. |
|----------|---|----------|----------|---|----------|
| K |  ABQK** Top | 1 | N |  ABQN** Bottom | 1 |
| L |  ABQ2L** Left Side Panel | 1 | P |  ABQP** Movable Shelf | 1 |
| M |  ABQ2M** Right Side Panel | 1 | | | |

**Denotes Color Code

2

- 1** Insert Wood Dowels (A) into Bottom (N). Insert Cams (C) into Bottom (N). Install Cam Posts (B) into threaded inserts in Right Side Panel (M). Attach Right Side Panel (M) to Bottom (N) by turning Cams (C).

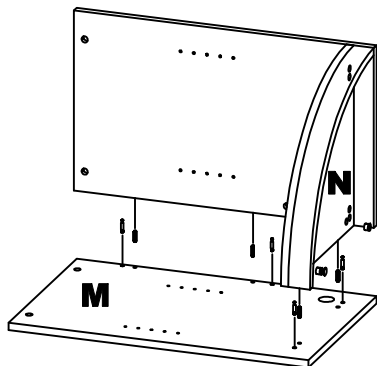


NOTE: The arrow on the face of the Cam (C) should point towards the Cam Post (B) for proper alignment.

3

2

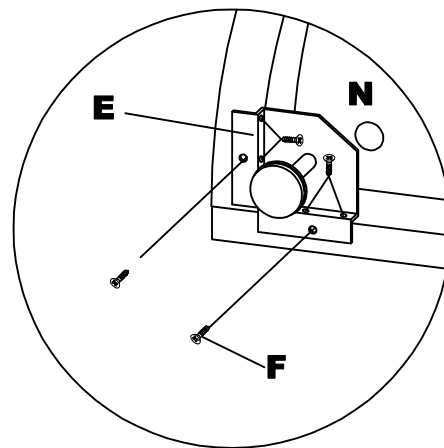
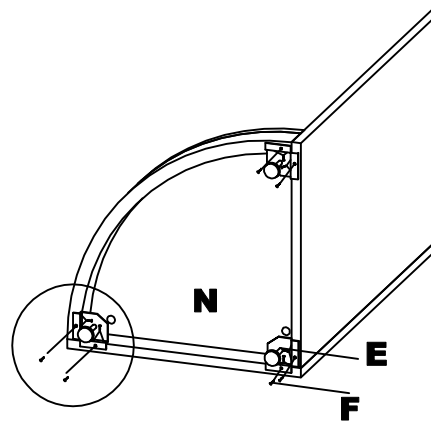
Insert Wood Dowels (A) into Bottom (N). Insert Cams (C) into Bottom (N). Install Cam Posts (B) into threaded inserts in Left Side Panel (L). Attach Left Side Panel (L) to Bottom (N) by turning Cams (C).



4

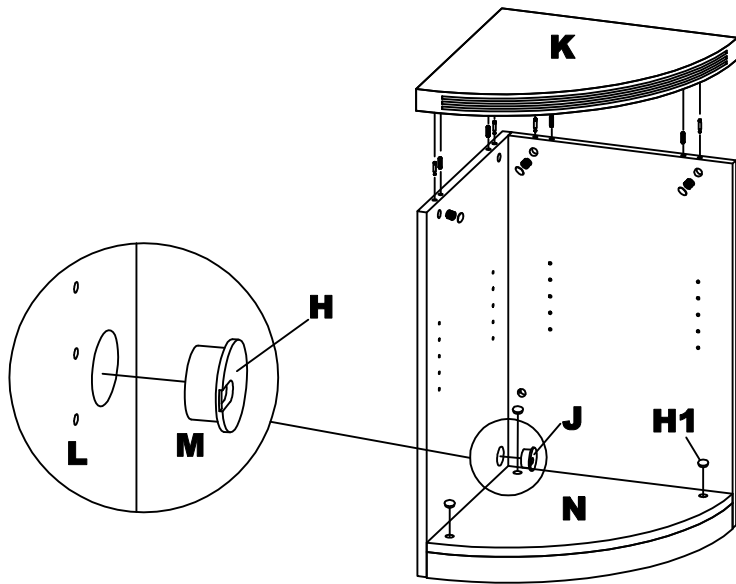
3

Attach Corner Brackets with Glides (E) using Screws (F).



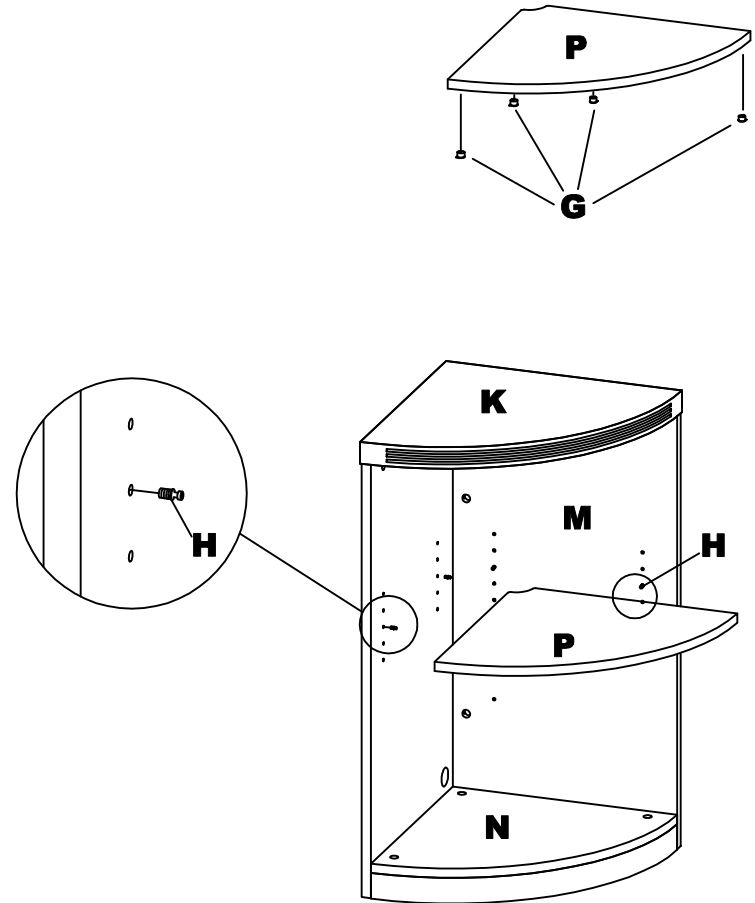
5

- 4** Insert Wood Dowels (A) into top of Side Panel (L & M). Insert Cams (C) into Side Panels (L & M). Install Cam Posts (B) into threaded inserts in Top (K). Attach Top (K) to Side Panels (L & M) by turning Cams (C). Insert Grommet (J) into Side Panel (L). Place Cam Stickers (D) over exposed Cams (C). Insert Caps (H1) into adjustment holes for levelers.



6

- 5** Insert Shelf Cam (G) into Moveable Shelves (P) with open slot in cam to edge of shelf. Screw Shelf Posts (H) into Side Panels (L & M). Press Shelves onto Shelf Posts. Turn Shelf Cam (G) screw to lock in place.



7