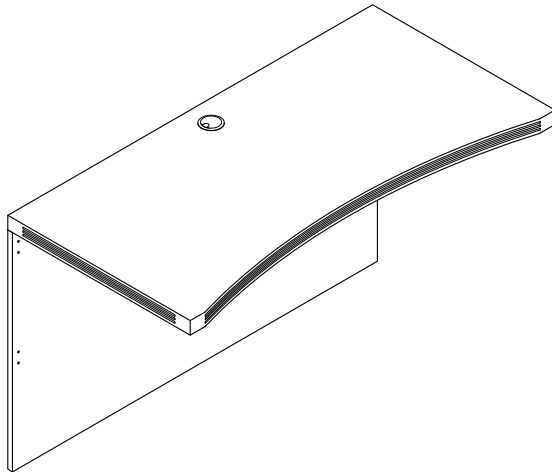
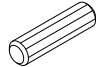


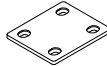

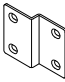


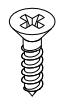
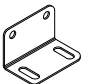



Aberdeen Series™  
 Contour Bridge  
 Model No. ACB4824. ACB4224

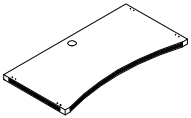
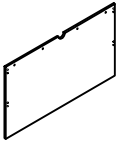


ASSEMBLY INSTRUCTIONS  
 CALL 1-800-822-8037 FOR ASSISTANCE

# PARTS LIST

Name	Part	Qty.	Spare Qty	Name	Part	Qty.	Spare Qty
<b>A</b>	 <b>REALS004</b> Wood Dowel	<b>2</b>	<b>1</b>	<b>F</b>	 <b>REALS068</b> Ø4 x 30	<b>16</b>	<b>1</b>
<b>B</b>	 <b>REALS003</b> Cam Post	<b>4</b>	<b>1</b>	<b>G</b>	 <b>REALS161</b> Plate	<b>4</b>	
<b>C</b>	 <b>REALS001</b> Cam Fastener	<b>4</b>	<b>1</b>	<b>H</b>	 <b>REALS163</b> Z Shape Plate	<b>4</b>	
<b>D</b>	 <b>REALS102**</b> Cam Sticker	<b>4</b>	<b>1</b>	<b>J</b>	 <b>REAL100</b> Grommet	<b>1</b>	
<b>E</b>	 <b>REALS005</b> Ø4 x 16	<b>16</b>	<b>1</b>	<b>K</b>	 <b>REALS275</b> L-SHAPE BRACKET	<b>4</b>	
	 <b>ABHB</b> Items with HB are in hardware box.						

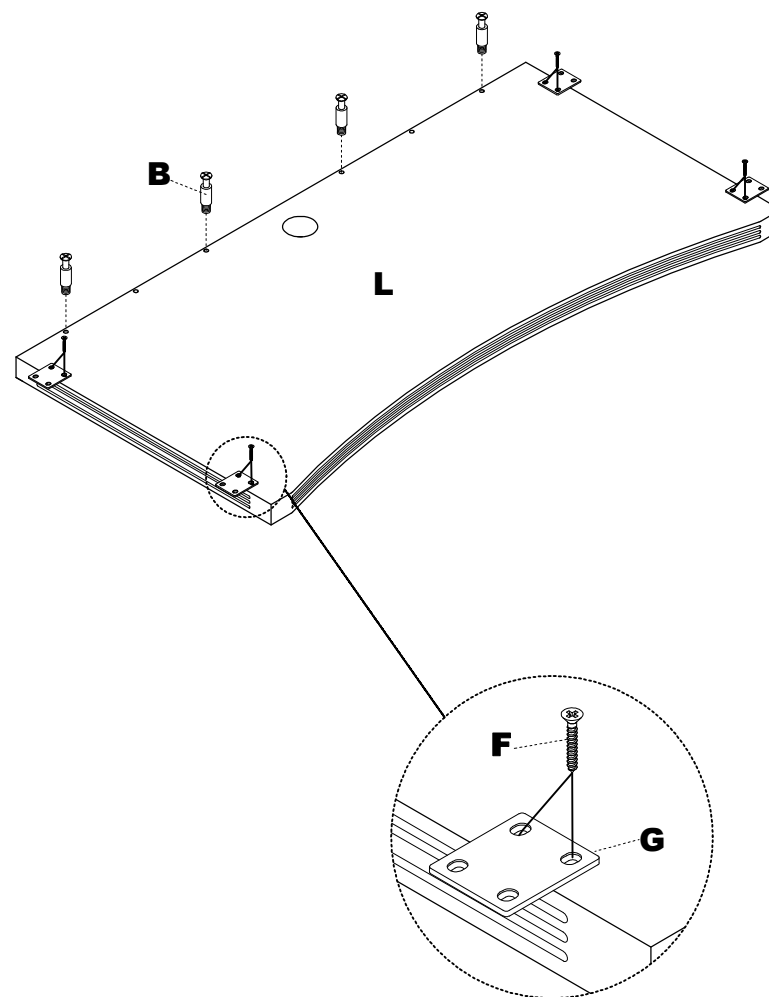
# PARTS LIST

Name	Part	Qty.	Name	Part	Qty.
<b>L</b>	 <b>ACB~~24K**</b> Top	<b>1</b>	<b>M</b>	 <b>ACB~~24L**</b> Modesty Panel	<b>1</b>

\*\*Denotes Color Code  
~~Denotes Size (48" or 42")

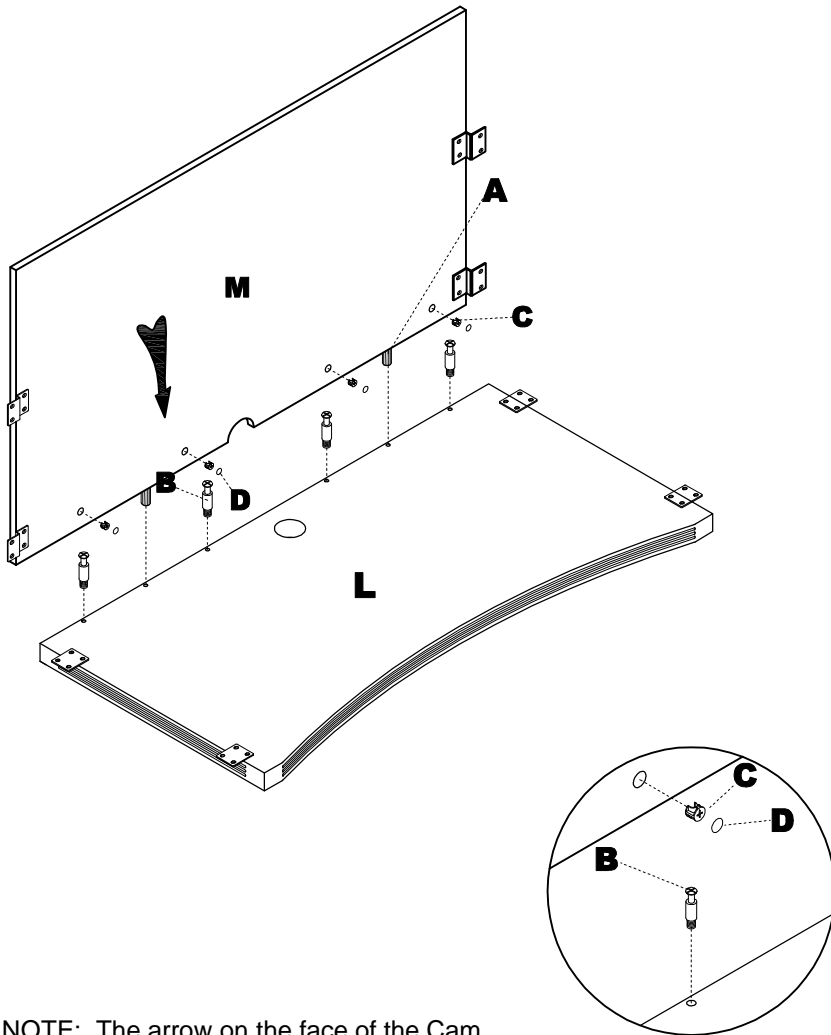
**2**

- 1** Install Cam Posts (B) into threaded inserts in underside of Top (L). Attach Plates (G) to the underside of Top (L) using Screws (F).



**3**

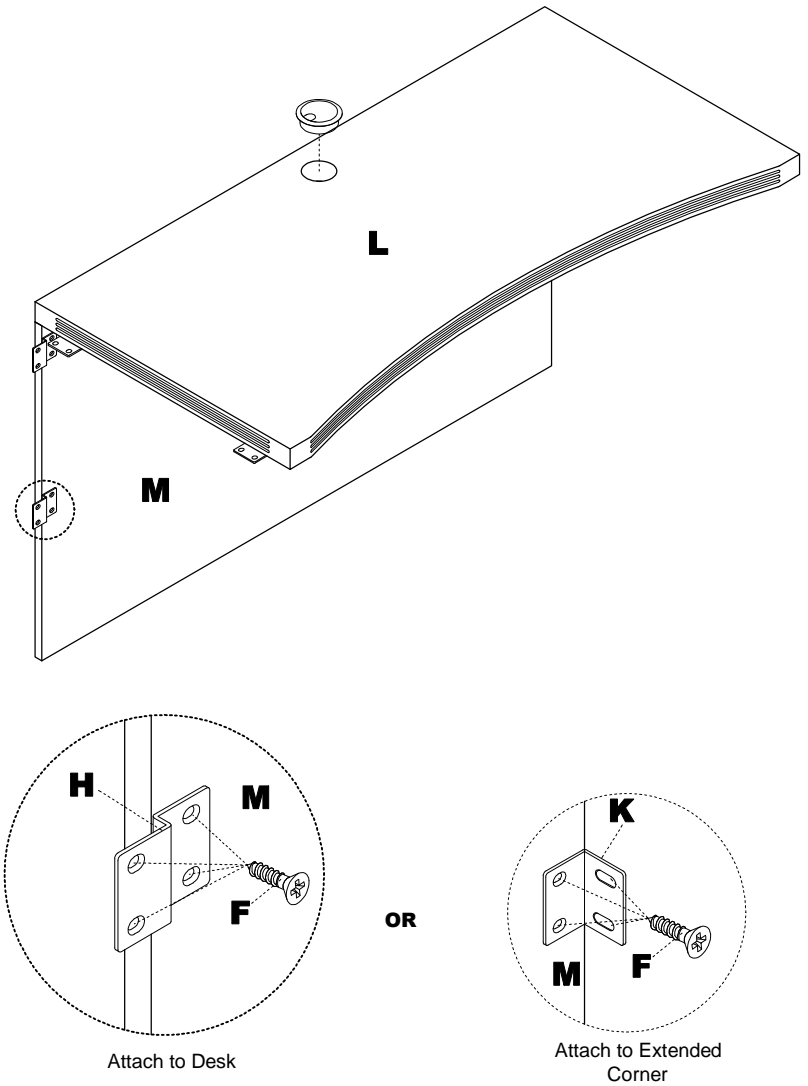
- 3** Insert Cams (C) and Dowels (A) into holes in Modesty Panel (M). Secure the Modesty Panel (M) to the Top (L) by turning the Cams (C). Apply Cam Stickers (D) to Cams (C).



NOTE: The arrow on the face of the Cam (C) should point towards the Cam Post (B) for proper alignment.

**4**

- 4** Insert Grommet (J) into Top (L).



**5**