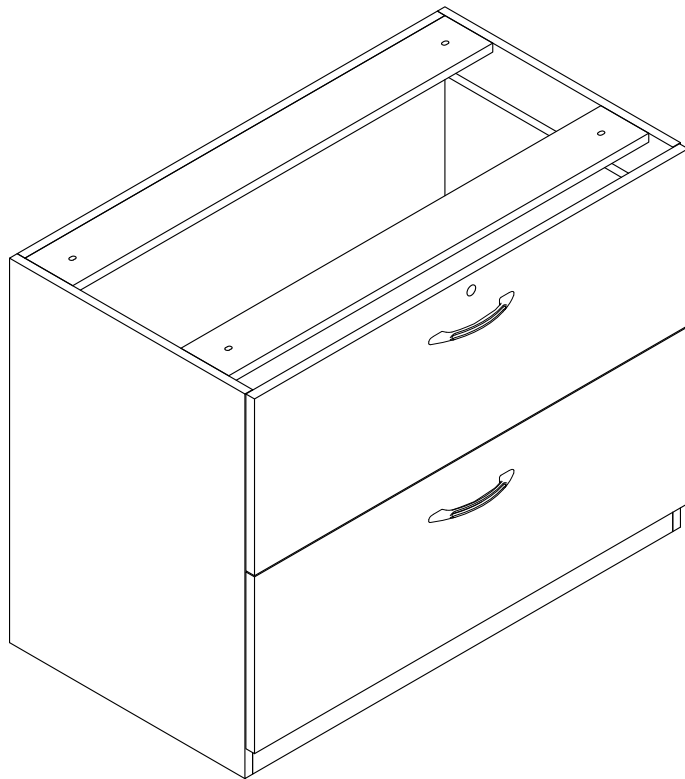


realoffice

MAYLINE

Aberdeen Series™
Credenza Lateral File, 30"
Model No. ACLF30

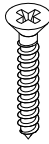
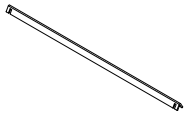
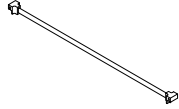


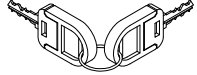
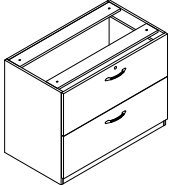
ASSEMBLY INSTRUCTIONS
CALL 1-800-822-8037 FOR ASSISTANCE

P/N **ACLF30** REV 07 07/17/14

www.mayline.com

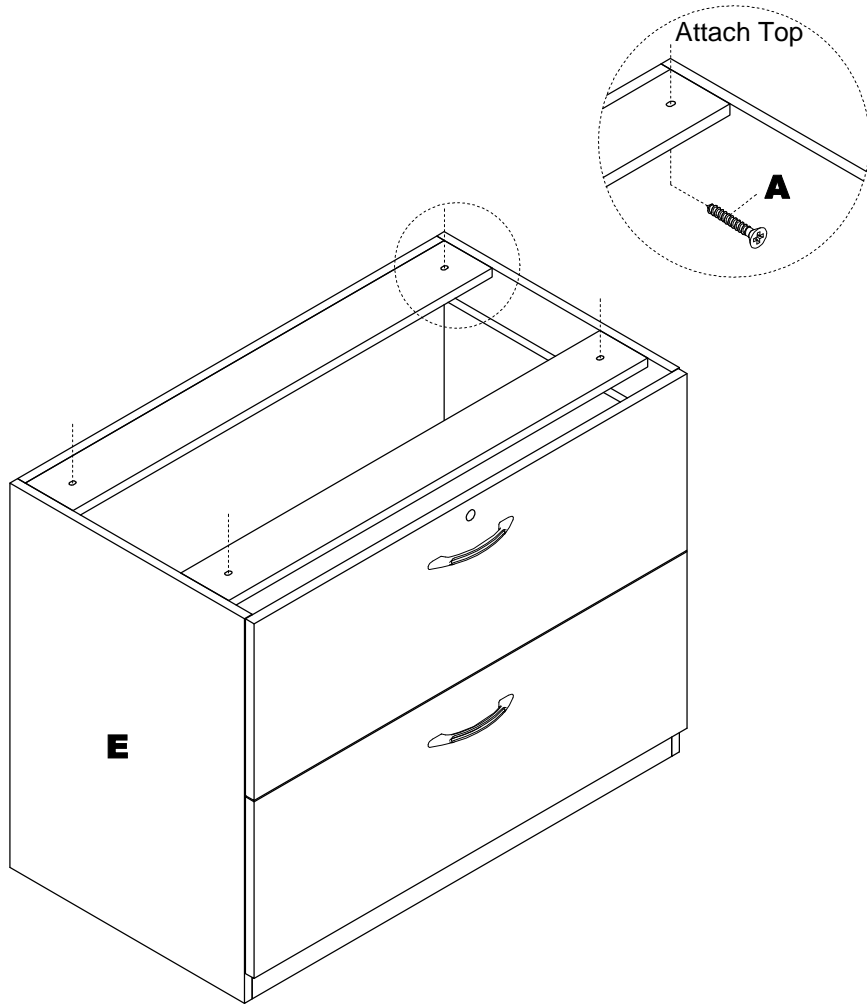
PARTS LIST

Name	Part	Qty.	Spare Qty
A	 REALS068 Ø4 x 30mm	4	1
B	 REALS139 File Hanging Bar	2	
C	 REALS209 1 Bar w/2 Caps	4	

Name	Part	Qty.	Spare Qty
D	 Keys	1	
E	 ACLF30** Lateral File	1	

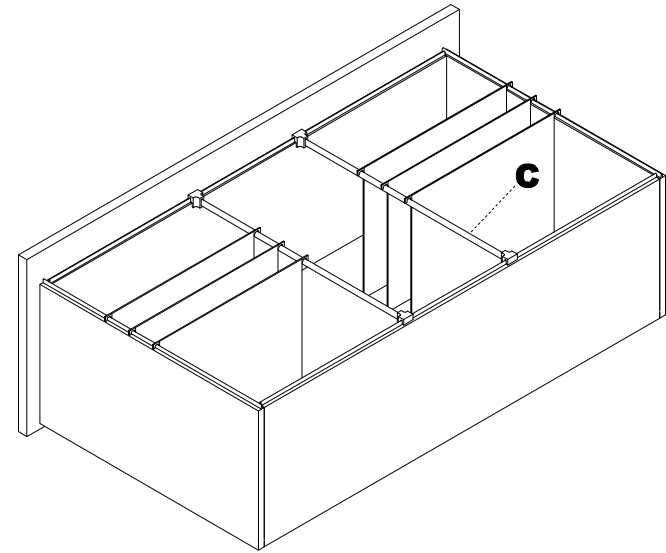
**Denotes Color Code

- 1** Attach Pedestal (E) to underside of Table using Screws (A).
- OR -
Slide Pedestal (E) under worksurface and adjust levelers as appropriate.

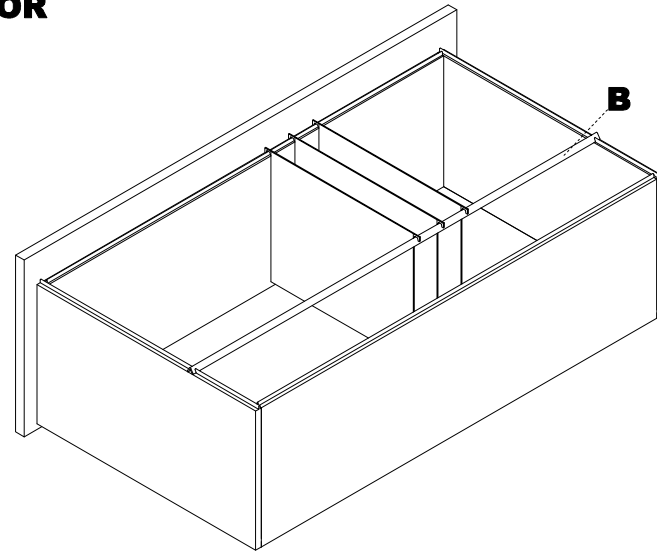


2

- 2** Arrange File Hangers (B or C) for filing preference.


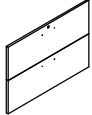
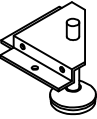
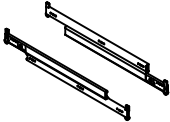




OR



3

Pre-Installed Replacement Parts List

Part	Included Qty.	Part	Included Qty.
 <p>REALS191 Handle w/ Screws</p>	2	 <p>ALF30** Drawer Fronts - Set of 2</p>	1*
 <p>REALS008 Corner Bracket w/ Glide</p>	4	 <p>REALS245^A Drawer Slide 18" - Pair</p>	2
 <p>REALS005 Ø4 x 16mm Corner Bracket Screws</p>	24	 <p>REALS121 Ø3 x 14mm Drawer Slide Screws</p>	32

* Available in Cherry (LCR) or Mocha (LDC) finish only.

**Denotes Color Code

^A Previous drawer slide was REALS054. Change effective 1/19/08.