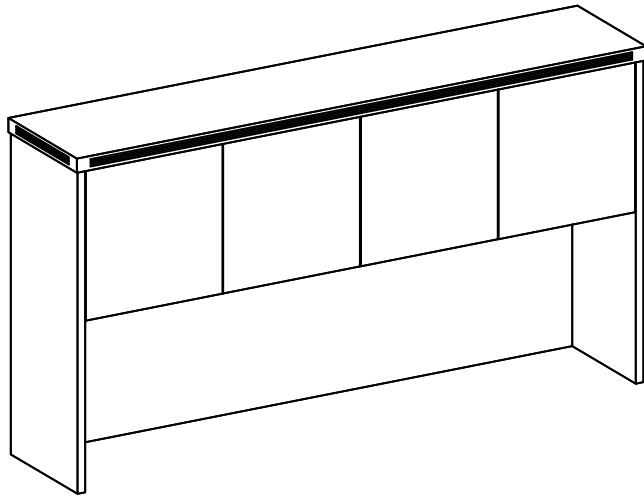


Aberdeen Series™

Hutch with Wood Doors

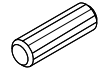

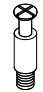


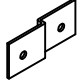

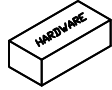
Model No. AHW72, AHW66 & AHW60



ASSEMBLY INSTRUCTIONS








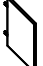
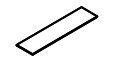
CALL 1-800-822-8037 FOR ASSISTANCE

# PARTS LIST

Name	Part	Qty.	Spare Qty	Name	Part	Qty.	Spare Qty
<b>A</b>	 <b>REALS004</b> Wood Dowel	<b>20</b>	<b>1</b>	<b>E</b>	 <b>REALS238</b> Ø4 x 14mm	<b>4</b>	<b>1</b>
<b>B</b>	 <b>REALS003</b> Cam Post	<b>20</b>	<b>1</b>	<b>F</b>	 <b>REALS104</b> Grommet	<b>4</b>	
<b>C</b>	 <b>REALS001</b> Cam Fastener	<b>20</b>	<b>1</b>	<b>G</b>	 <b>REALS506</b> Plate	<b>2</b>	
<b>D</b>	 <b>REALS102**</b> Cam Sticker	<b>20</b>	<b>1</b>		 <b>AHHB</b>		

Items with HB are in hardware box.  
\*\*Denotes Color Code

# PARTS LIST

Name	Part	Qty.	Name	Part	Qty.
L*	 AH~~L** Top	1	R	 AH~~R** Lower Back Panel	1
M	 AH~~M** Shelf	1	S	 AHS** Center Divider	1
N	 AHN** Left Side Panel	1	T*	 AHW~~T** Right Side Door	2
P	 AHP** Right Side Panel	1	U*	 AHW~~U** Left Side Doors	2
Q	 AH~~Q** Upper Back Panel	1			

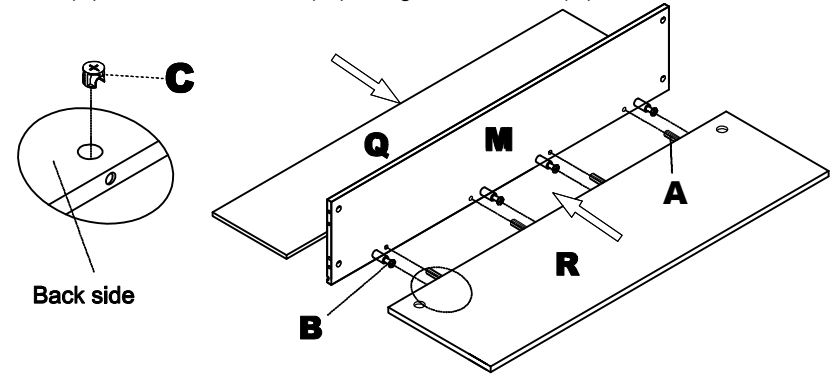
\*Available in Cherry (LCR) or Mocha (LDC) finish only.

\*\*Denotes Color Code

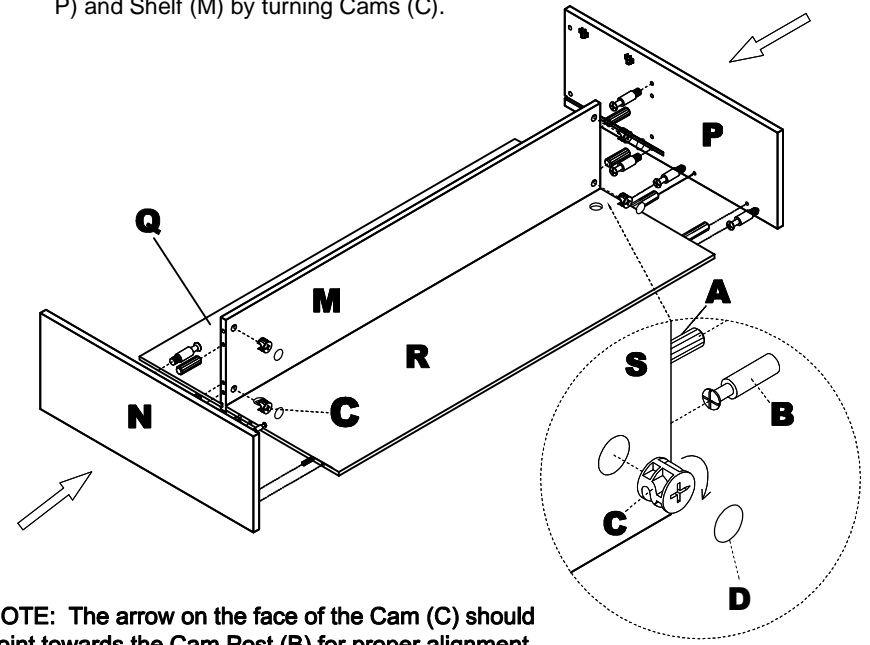
~~Denotes Size (72, 66, 60)

2

- ① Install Cam Posts (B) into Shelf (M). Insert Wood Dowels (A) into top of the Back Panel (R). Insert Cams (C) into the of the back side of Back Panel (R). Slide Back Panels (Q) into groove in Shelf (M).



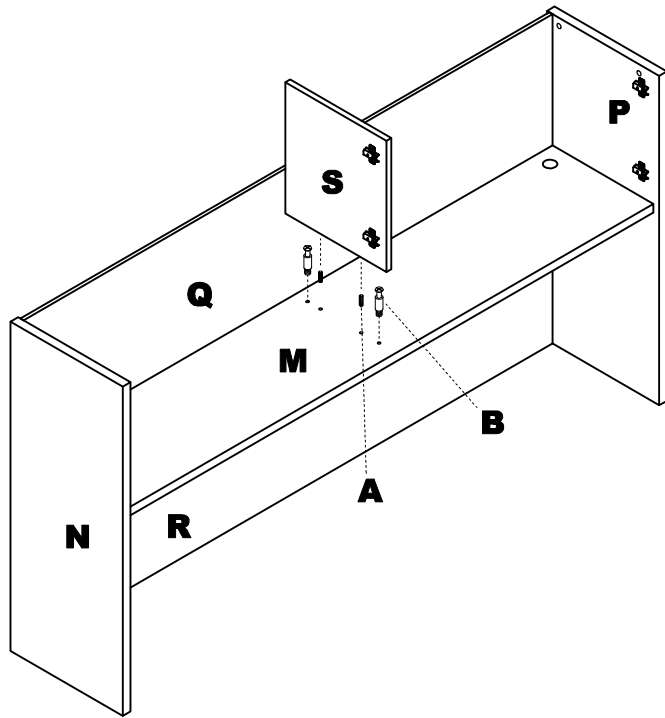
- ② Install Cam Posts (B) into threaded inserts in Side Panels (N, P). Insert Wood Dowels (A) and Cams (C) into the end of the Shelf (M) and Back Panel (R). Slide Side Panels (N, P) into position with Back Panels (R, Q) inserting into the groove in the Side Panels (N, P). Fasten Side Panels (N, P) and Shelf (M) by turning Cams (C).



NOTE: The arrow on the face of the Cam (C) should point towards the Cam Post (B) for proper alignment.

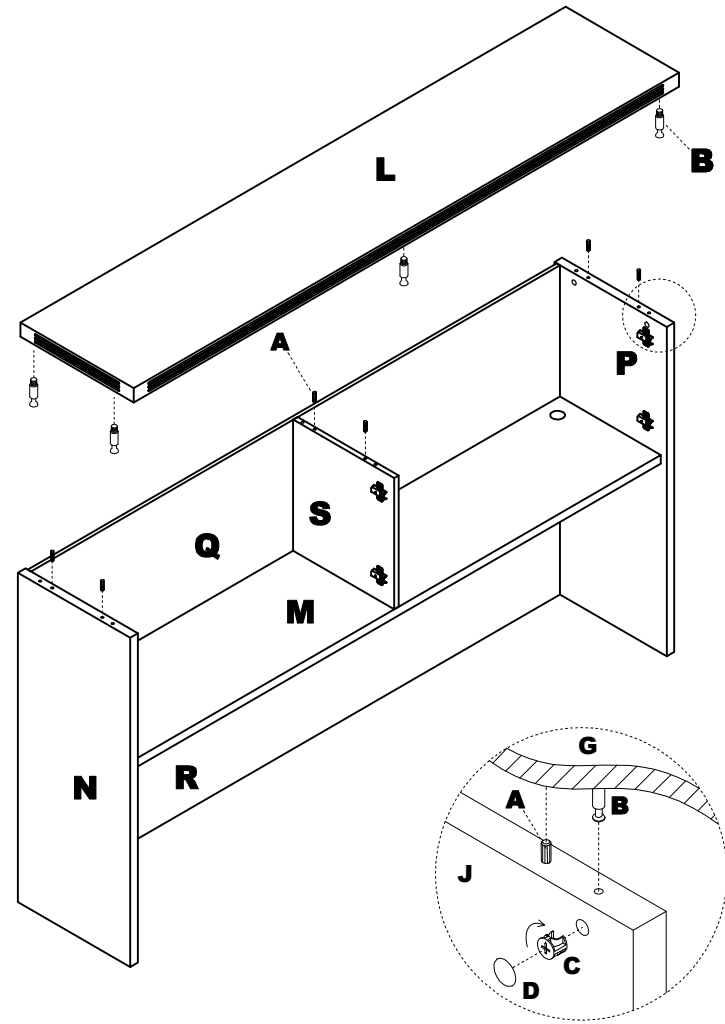
3

- 3** Stand unit in upright position. Install Cam Posts (B) into Shelf (M). Insert Dowels (A) and Cam (C) into the Center Divider (S). Fasten Center Divider (S) to Shelf (M) by turning Cams (C).



**4**

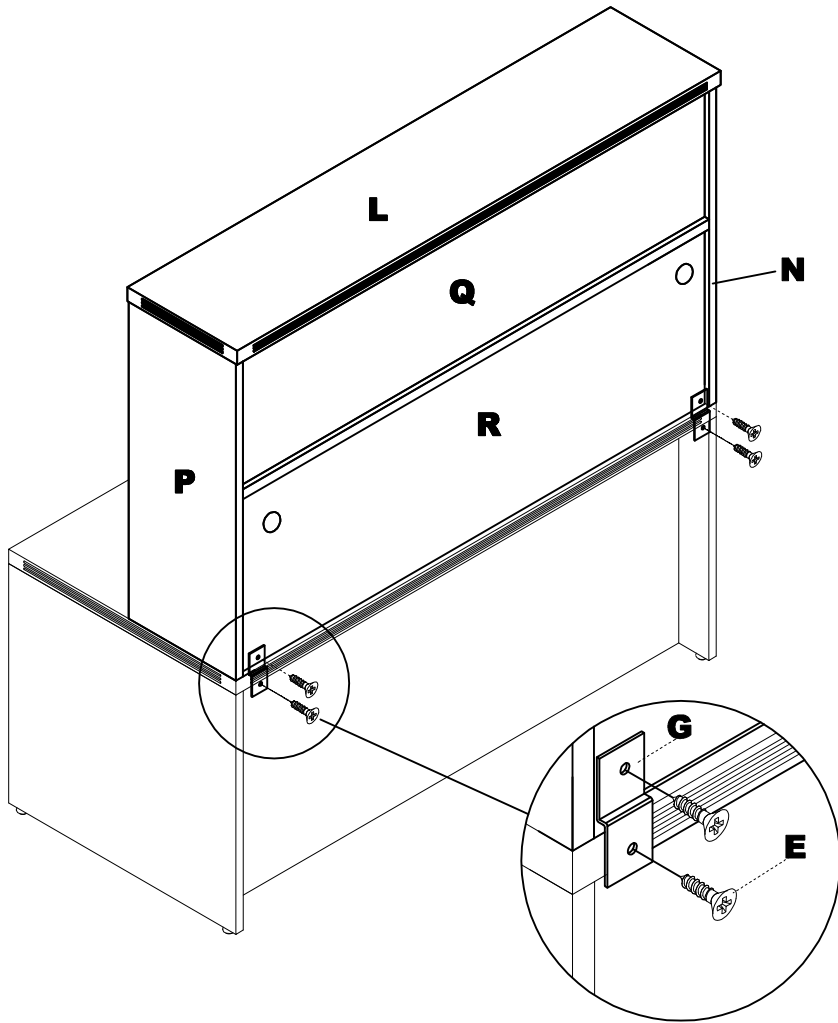
- 4** Install Cam Posts (B) into threaded inserts in the Top (L). Insert Wood Dowels (A) and Cams (C) into top of the End Panels (N, P) and Center Divider (S). Place Top (L) onto base and fasten by turning Cams (C). Place Cam Stickers (D) onto Cams (C).



**5**

5 Position hutch as desired.

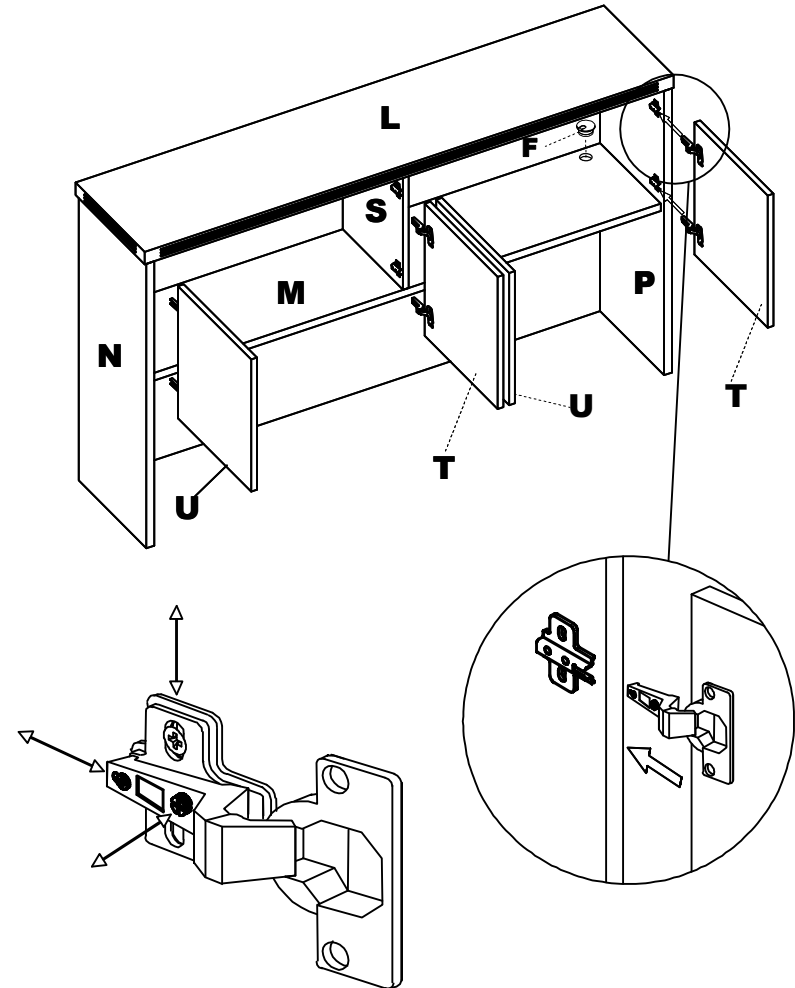
6 Attach Plate (G) using Screws (E) to cabinet body and desk top.



6







7 Install Doors (U, T) into cabinet. Insert Grommets (F) into Shelf (M) and Back Panel (R).

Adjust door alignment as necessary by using the adjustment screws on the hinges. DO NOT use Power Driver to make these adjustments.



7

# Pre-Installed Replacement Parts List

Part	Included Qty.	Part	Included Qty.
 <b>REALS051</b> Hinge	<b>8</b>	 <b>REALS013P</b> Hinge Plate - Inner Door	<b>4</b>
 <b>REALS051P</b> Hinge Plate - Outer Door	<b>4</b>	 <b>REALS016</b> Ø4 x 16mm	<b>32</b>
 <b>REALS247</b> Bumper	<b>4</b>	 <b>REALS204</b> Foam Tape	<b>2</b>

