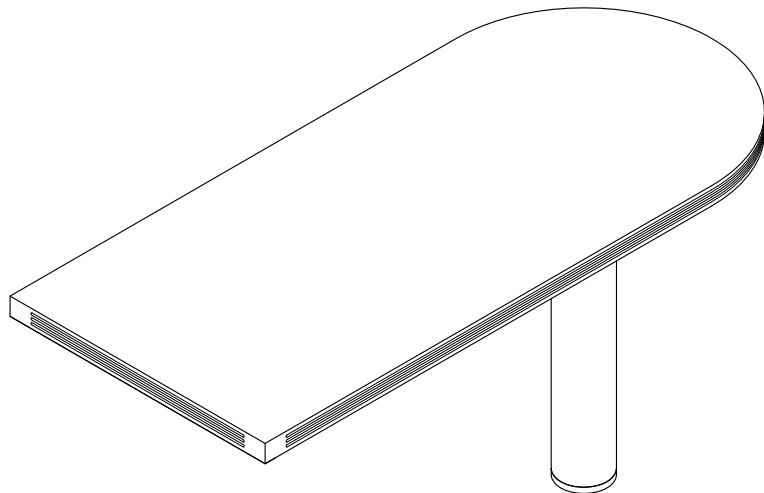
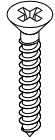

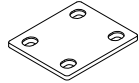
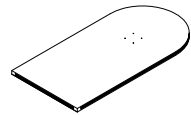

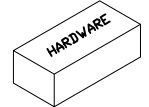
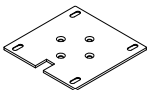


Aberdeen Series™
 Peninsula Return 60" x 30"
 Model No. APR6030



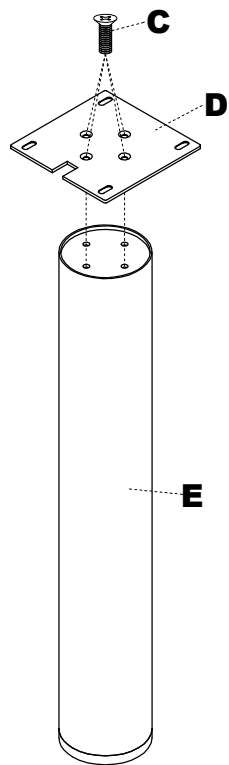
ASSEMBLY INSTRUCTIONS
CALL 1-800-822-8037 FOR ASSISTANCE

PARTS LIST

Name	Part	Qty.	Spare Qty	Name	Part	Qty.	Spare Qty
A	 HB REALS068 Ø4 x 30mm	8	1	E	 REALS166 Metal Leg	1	
B	 HB REALS161 Plate	2		F	 APR6030F** Top	1	
C	 HB REALS043 Ø6 x 15mm	8	1		 APRHB		
D	 REALS164 Plate For Leg	1					

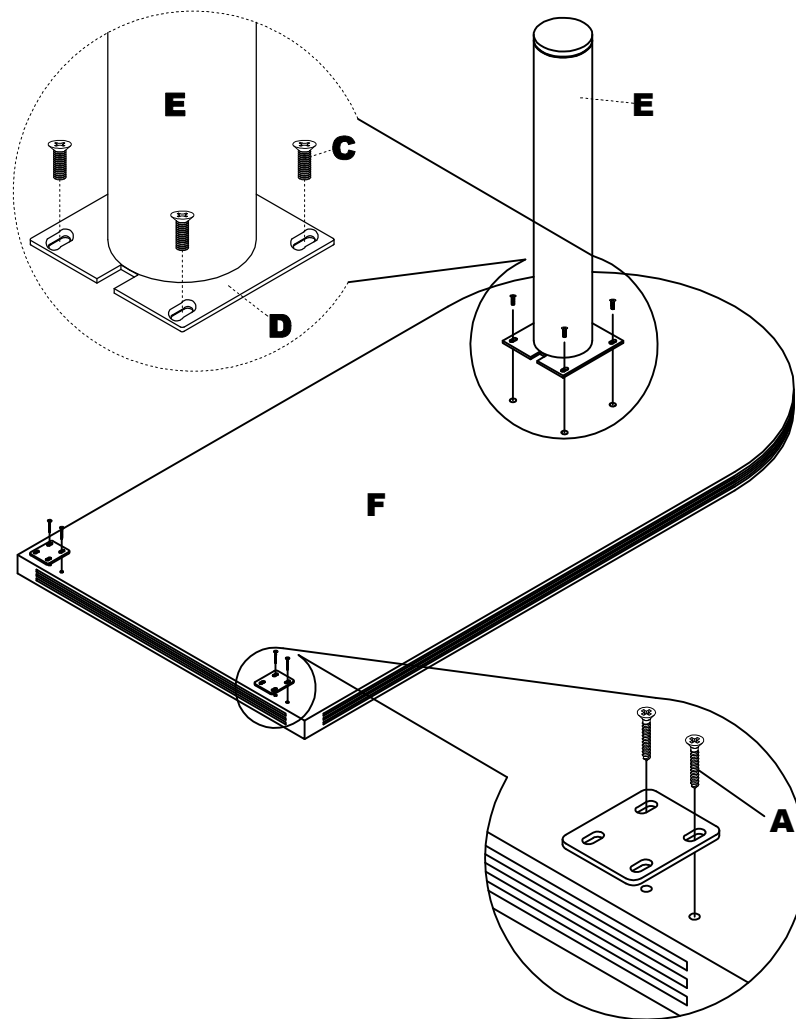
Items with HB are in hardware box.
 **Denotes Color Code

1 Attach Plate (D) to Leg (E) using Screws (C).



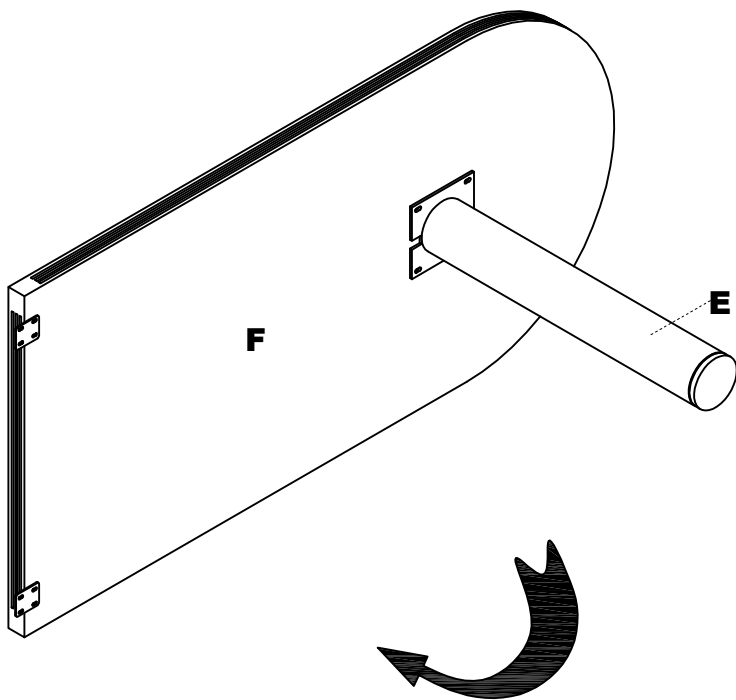
2

2 Attach Leg Assembly to Top (F) using Screws (C).



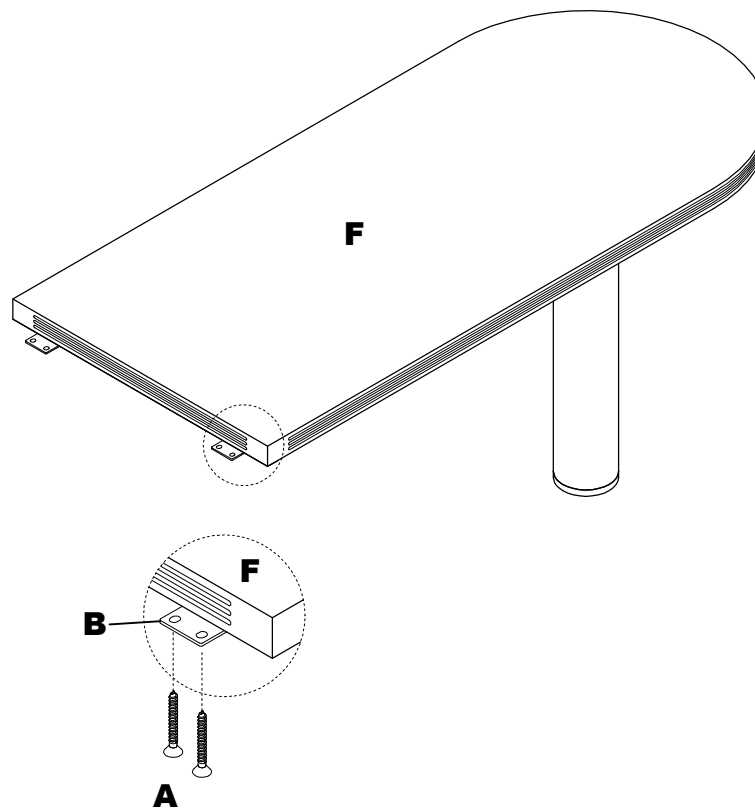
3

- 3** Use two people to carefully turn the table. DO NOT use the Leg as a handle.



4

- 2** Attach Peninsula to adjacent table using Plates (B) and Screws (A).



5