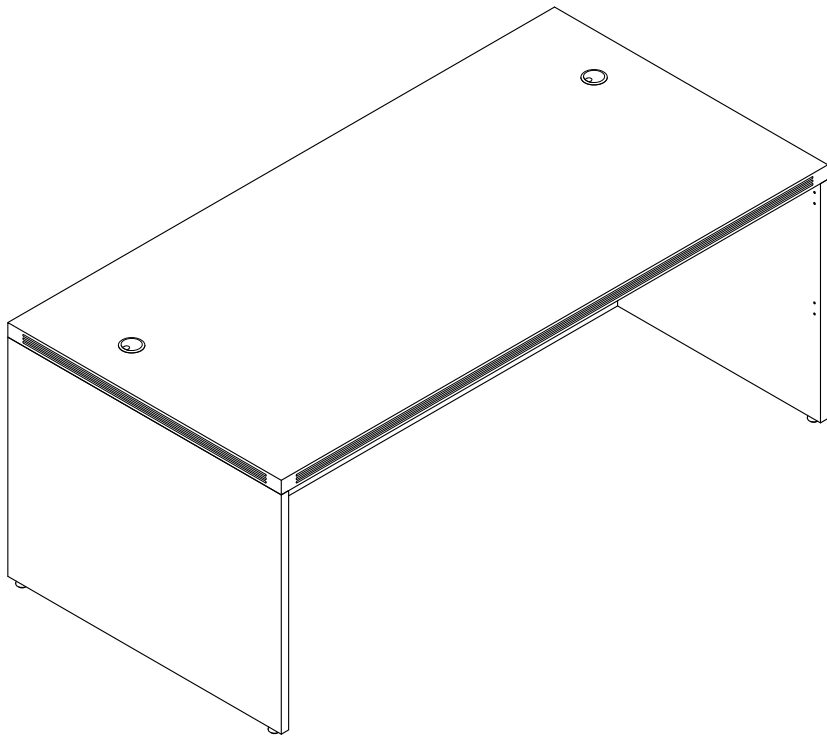


realoffice

MAYLINE

Aberdeen Series™
Rectangular Conference Desk

Model No. ARD7236

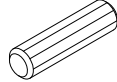

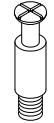
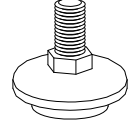
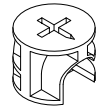
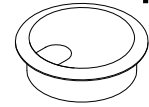
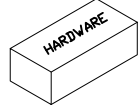


ASSEMBLY INSTRUCTIONS
CALL 1-800-822-8037 FOR ASSISTANCE

P/N **ARD36** REV 05 07/21/14

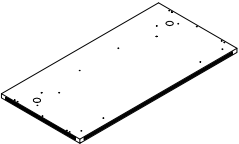
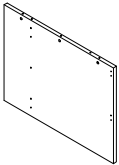
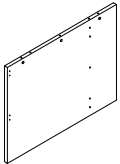
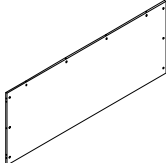
www.mayline.com

PARTS LIST

Name	Part	Qty.	Spare Qty	Name	Part	Qty.	Spare Qty
A	 REALS004 Wood Dowel	10	1	D	 REALS102** Cam Sticker	16	1
B	 REALS003 Cam Post	16	1	E	 REALS067 Leveler	4	
C	 REALS001 Cam Fastener	16	1	F	 REAL100 Grommet	2	
	 ARDHB						

Items with HB are in hardware box.

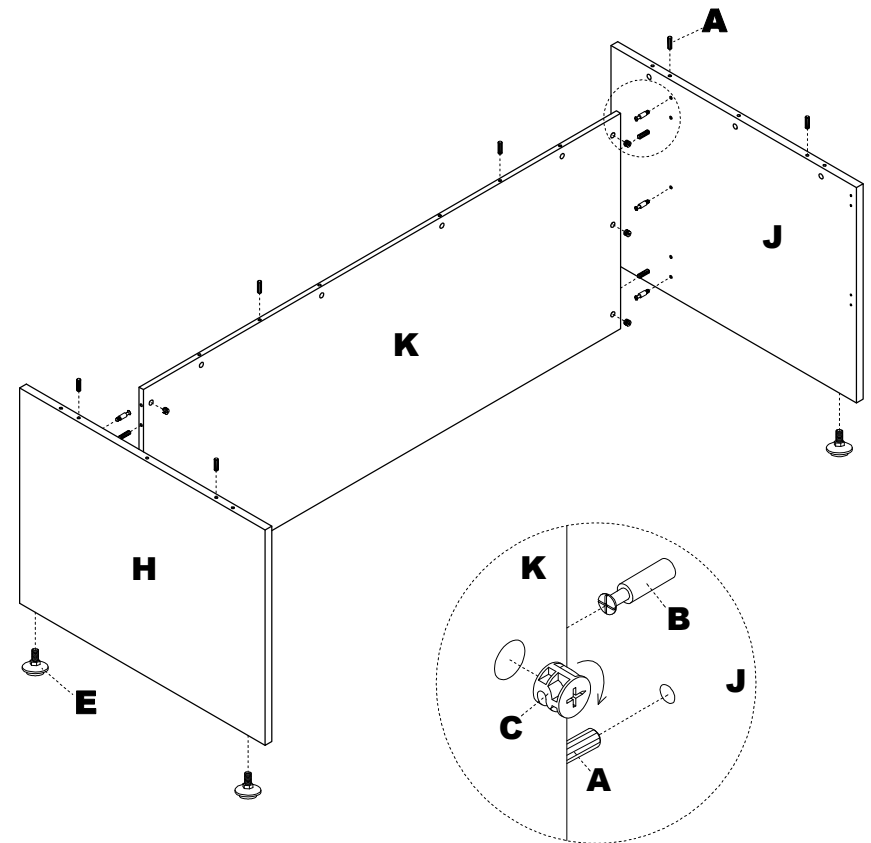
PARTS LIST

Name	Part	Qty.	Name	Part	Qty.
G	 ARD7236G** Top	1	J	 ARD36J** Right Side Panel	1
H	 ARD36H** Left Side Panel	1	K	 ARD72K** Modesty Panel	1

**Denotes Color Code

2

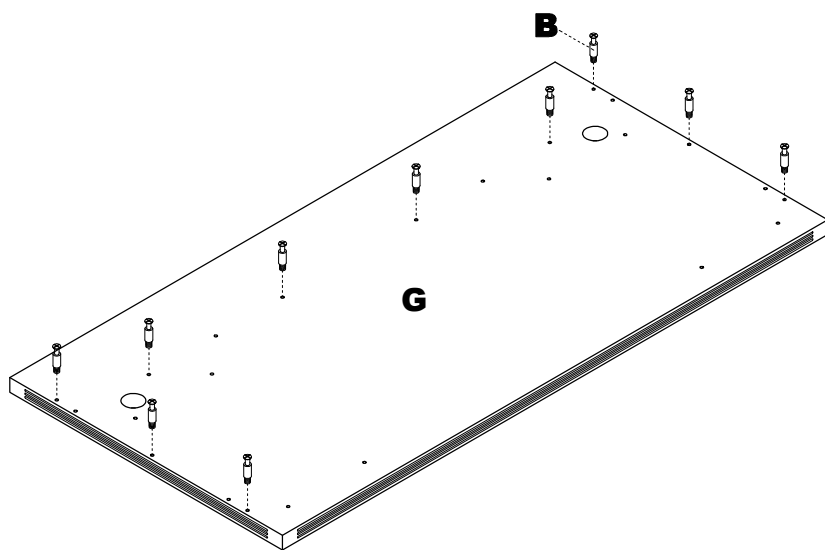
- 1** Insert Wood Dowels (A) into Modesty Panel (K) and the top of the Side Panels (H, J). Insert Cams (C) into the Modesty Panel (K) and Side panels (H, J). Install Cam Posts (B) into threaded inserts in Side Panels (H, J). Install Levelers (E) into bottom of Side Panels (H, J). Attach Modesty Panel (K) to Side Panels (H, J) by turning Cams (C).



NOTE: The arrow on the face of the Cam (C) should point towards the Cam Post (B) for proper alignment.

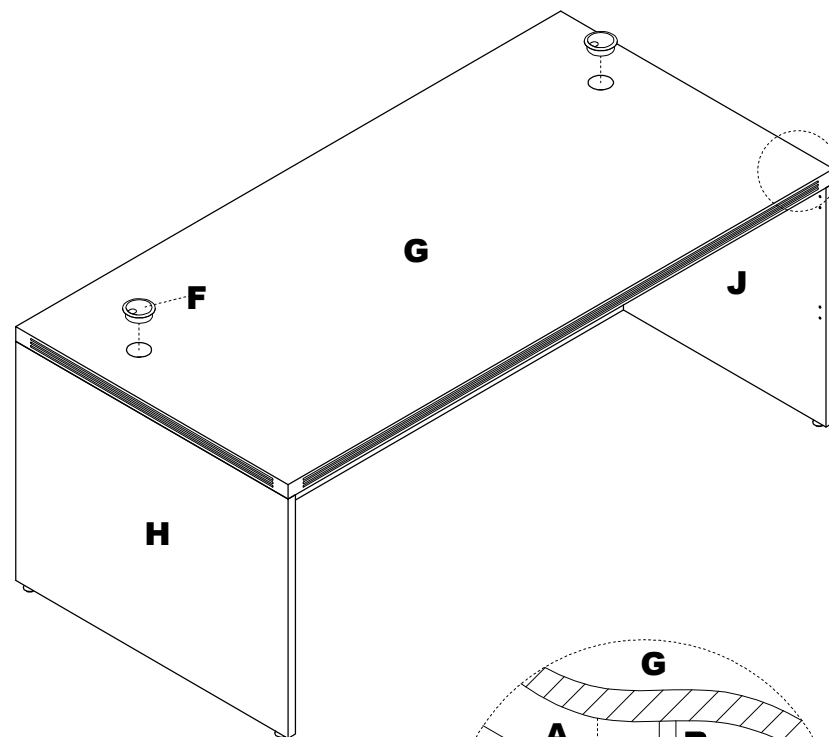
3

- 2** Install Cam Posts (B) into threaded inserts in underside of Top (G).



4

- 3** Place Top (G) onto base and lock in place by turning Cams (C). Apply Cam Stickers (D) onto Cams (C) and insert Grommets (F) into Top (G).



5