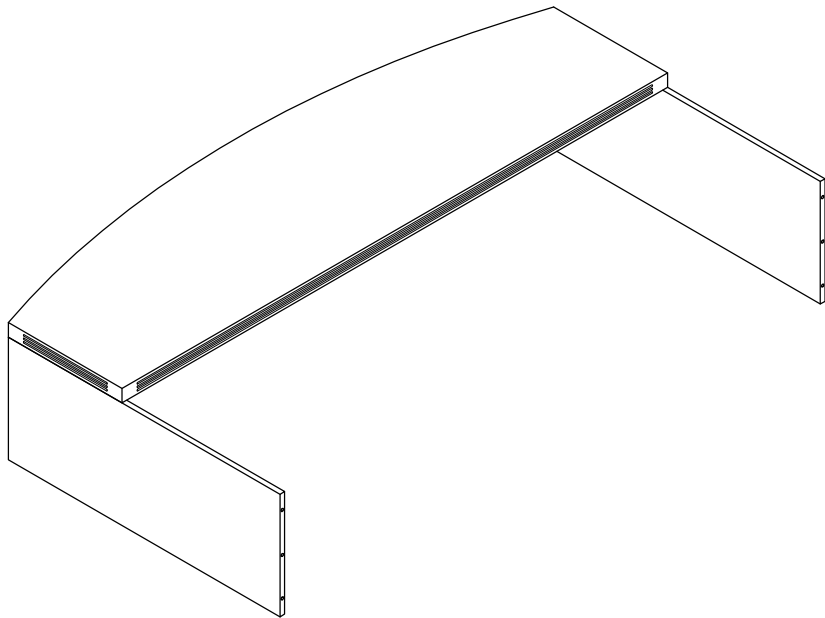
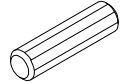

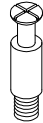



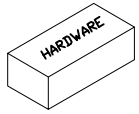


Aberdeen Series™
 Reception Desk Transaction Counter
 Model No. ARDTC



ASSEMBLY INSTRUCTIONS
CALL 1-800-822-8037 FOR ASSISTANCE

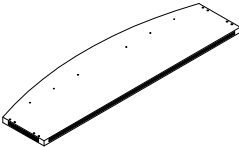
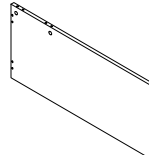
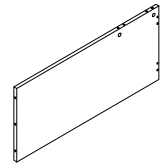
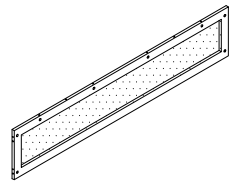
PARTS LIST

Name	Part	Qty.	Spare Qty.	Name	Part	Qty.	Spare Qty.
A	 REALS004 Wood Dowel	10	1	D	 REALS102** Cam Sticker	12	1
B	 REALS003 Cam Post	12	1	E	 REALS103** Cam Sticker	6	1
C	 REALS001 Cam Fastener	12	1	F	 REALS248 Double Face Tape	3	
	 ARDTCHB						

Items with HB are in hardware box.

**Denotes Color Code

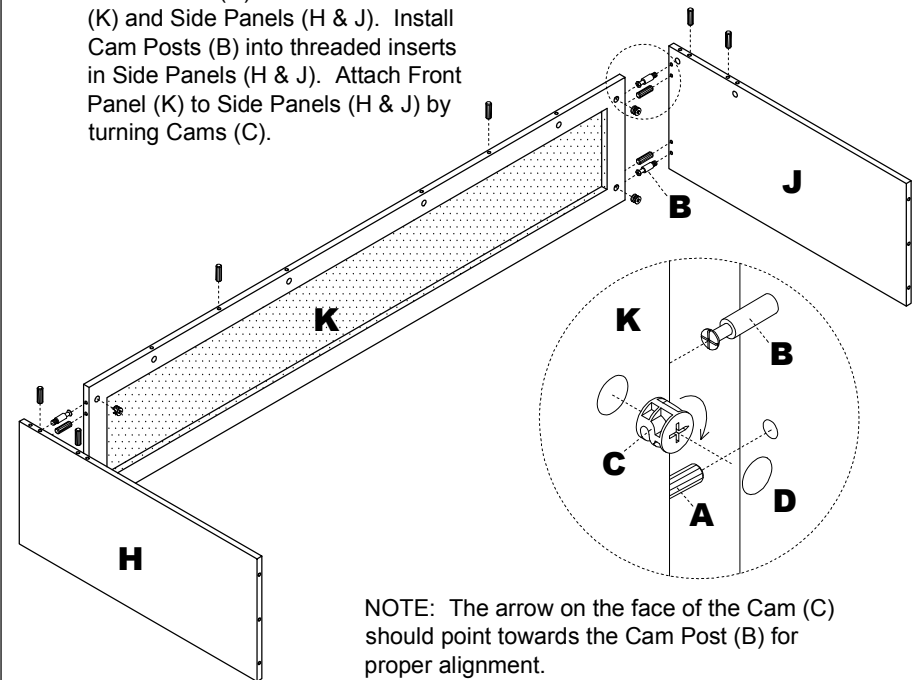
PARTS LIST

Name	Part	Qty.	Name	Part	Qty.
G	 ARDTCG** Top	1	J	 ARDTCJ** Right Side Panel	1
H	 ARDTCH** Left Side Panel	1	K	 ARDTCK** Front Panel	1

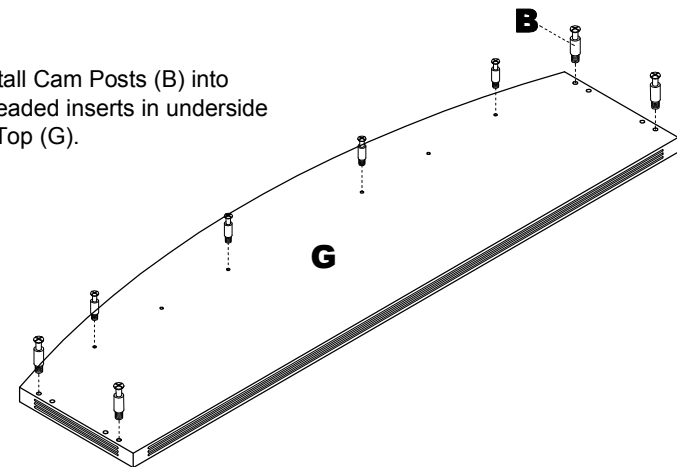
**Denotes Color Code

2

- 1** Insert Wood Dowels (A) into Front Panel (K), Side Panels (H & J). Insert Cams (C) into the Front Panel (K) and Side Panels (H & J). Install Cam Posts (B) into threaded inserts in Side Panels (H & J). Attach Front Panel (K) to Side Panels (H & J) by turning Cams (C).



- 2** Install Cam Posts (B) into threaded inserts in underside of Top (G).



3

- 3** Place Top (G) onto base and lock in place by turning Cams (C). Apply Cam Stickers (D) onto exposed Cams (C). Apply Foam Tape (F) to bottom edge of Side Panels (H & J), and Modesty Panel (K). Apply Cam Stickers (E) over unused holes in End Panels (H or J).

