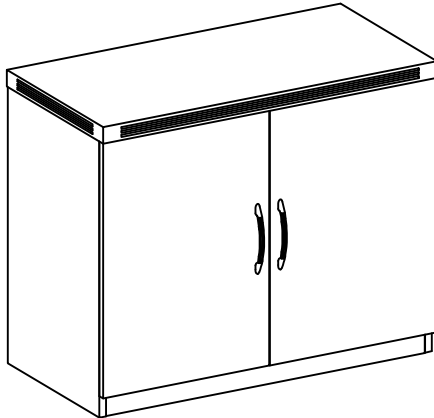


realoffice

MAYLINE

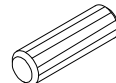
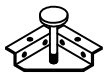
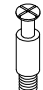

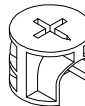







**Aberdeen Series™
Storage Cabinet
Model No. ASC**



ASSEMBLY INSTRUCTIONS

CALL 1-800-822-8037 FOR ASSISTANCE


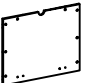






PARTS LIST

Name	Part	Qty.	Spare Qty	Name	Part	Qty.	Spare Qty
A	 REALS004 Wood Dowel	21	2	G	 REALS008 Corner Bracket w/ Glide	4	
B	 REALS003 Cam Post	18	2	H	 REALS203 Ø4 x 16mm	24	2
C	 REALS001 Cam Fastener	18	2	H1	 REALS230** Cap	4	
D	 REALS102** Cam Sticker	18	2	J	 REALS025 Door Stop	1	
E	 REALS009 Shelf Support Pin	4		K	 REALS017 Ø3.5 x 16mm	2	
F	 REALS191 Handle w/ Screws	2			 ASCHB		

Items with HB are in hardware box.

**Denotes Color Code

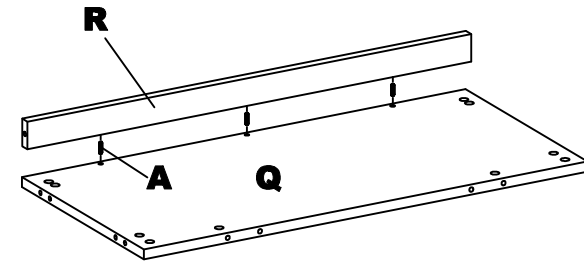
PARTS LIST

Name	Part	Qty.	Name	Part	Qty.
M	 ASCM** Top	1	S	 ASCS** Back Panel	1
N	 ASCN** Left Side Panel	1	T	 ASCT** Movable Shelf	1
P	 ASCP** Right Side Panel	1	U	 ASCU** Wood Door	2
Q	 ASCQ** Bottom Panel	1			
R	 ASCR** Toe Kick	1			

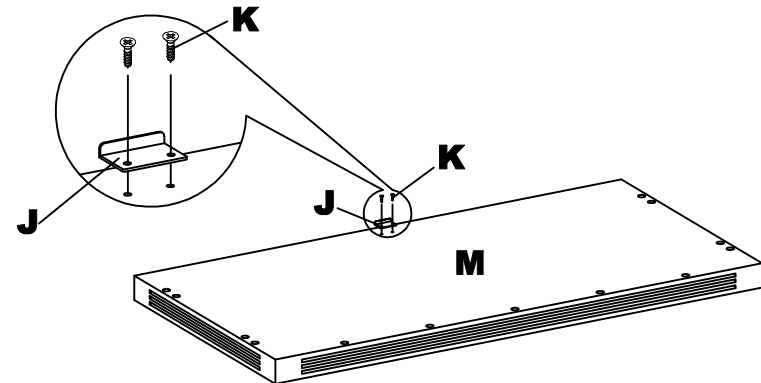
**Denotes Color Code

2

- 1** Insert Wood Dowels (A) into Toe Kick (R). Press Toe Kick (R) to Bottom Panel (Q).

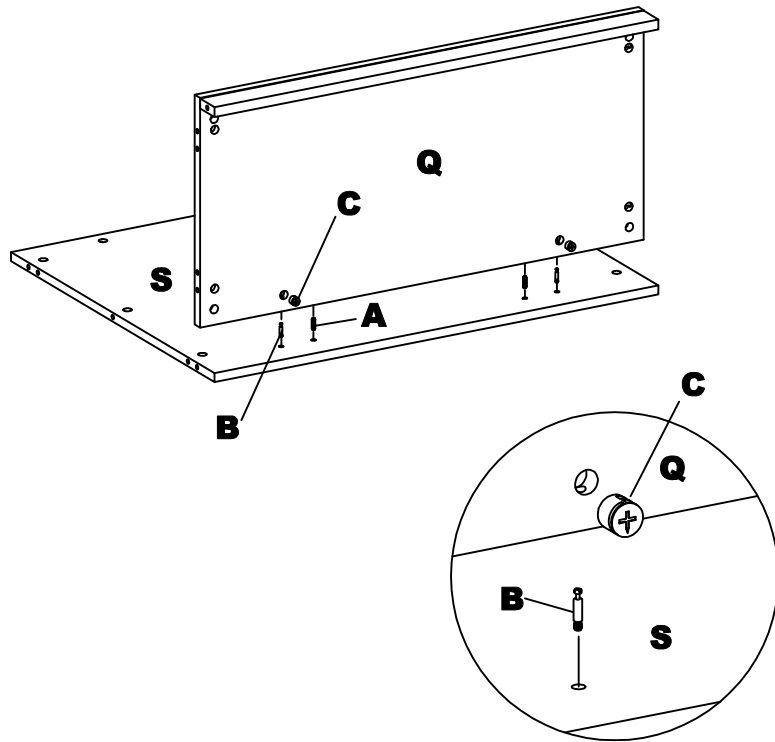


- 2** Attach Door Stop (J) to Top (M) using Screws (K).



3

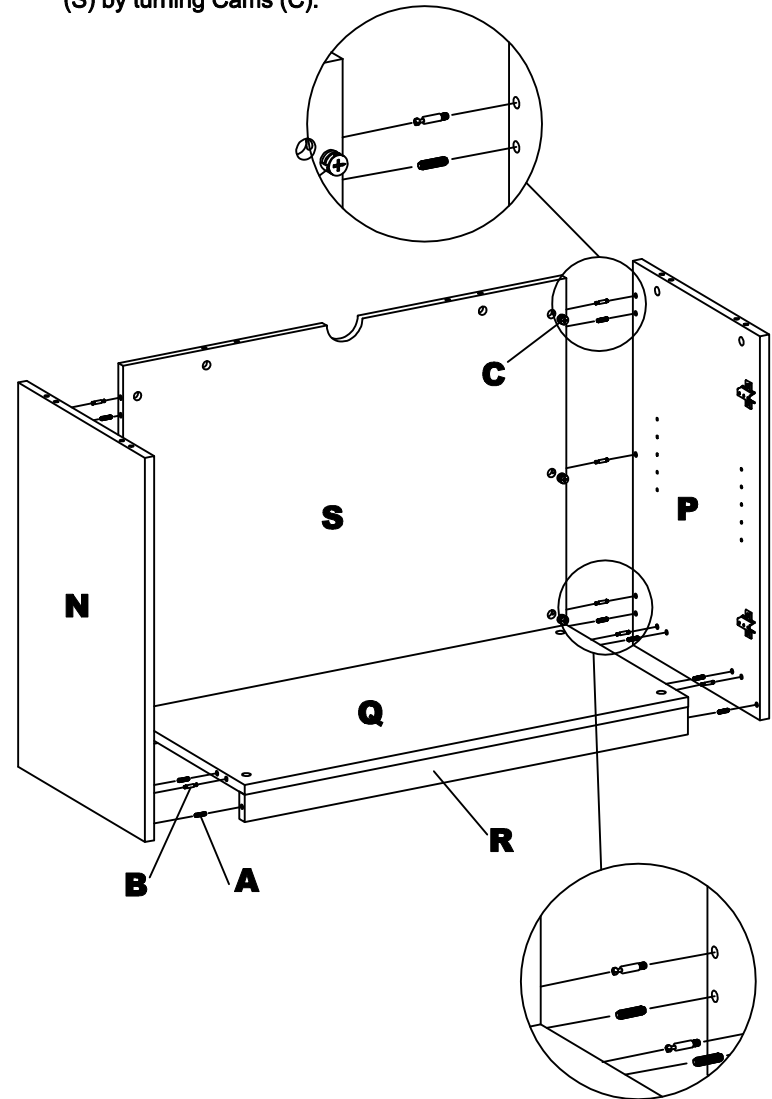
- 3** Insert Wood Dowels (A) into sides of Bottom (Q). Insert Cams (C) into Bottom (Q). Install Cam Posts (B) into threaded inserts in Back Panel (S). Attach Bottom (Q) to Back Panel (S) by turning Cams (C).



NOTE: The arrow on the face of the Cam (C) should point towards the Cam Post (B) for proper alignment.

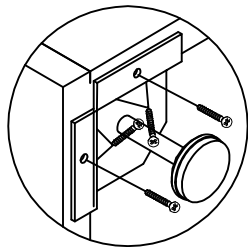
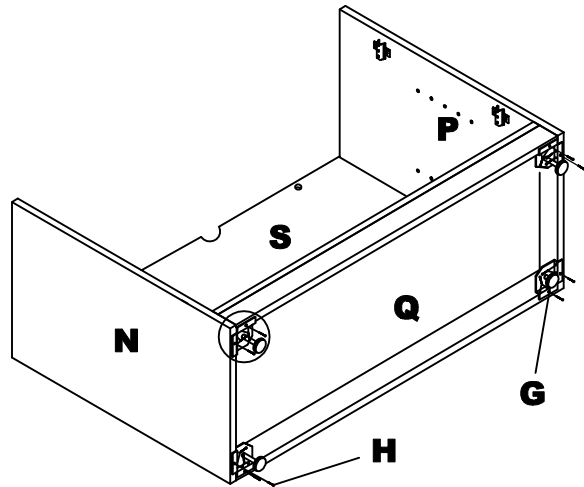
4

- 4** Insert Wood Dowels (A) into Bottom (Q), Toe Kick (R), and Back Panel (S). Insert Cams (C) into Bottom (Q) and Back Panel (S). Install Cam Posts (B) into threaded inserts in Left and Right Side Panels (N & P). Attach Left and Right Side Panels (N & P) to Bottom (Q) and Back Panel (S) by turning Cams (C).



5

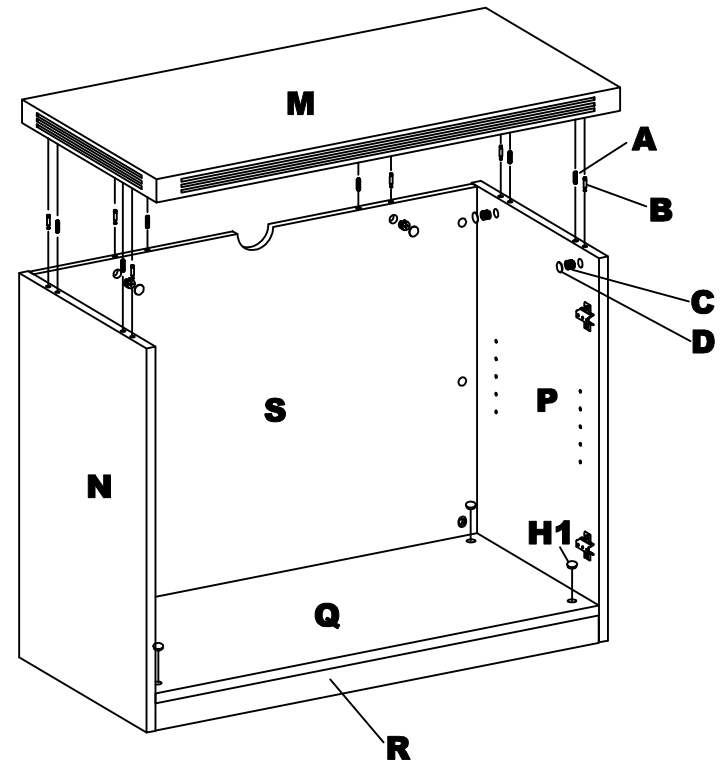
- 5** Attach Corner Brackets with Glides (G) using Screws (H).



6

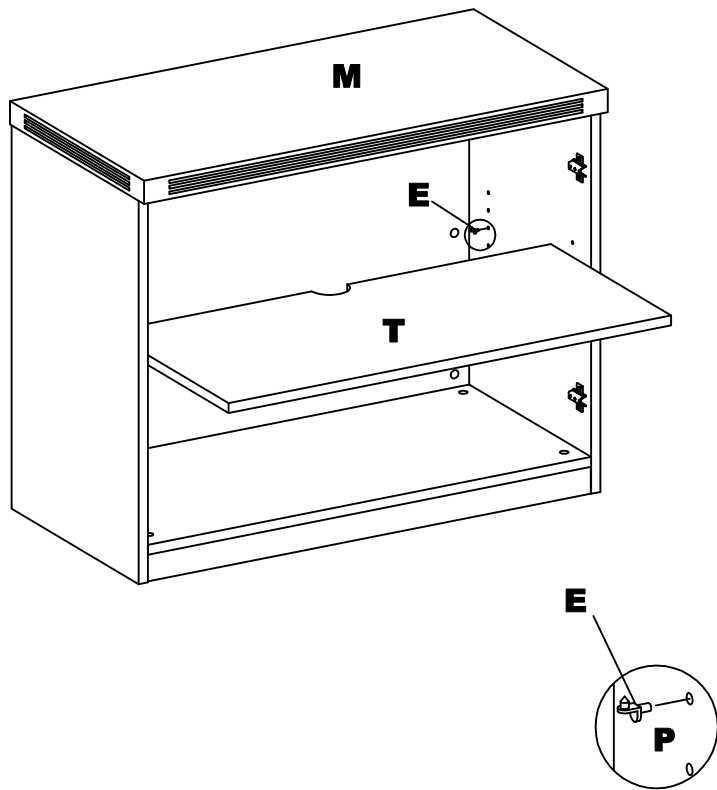
- 6** Insert Wood Dowels (A) into top of Left and Right Side Panel (N & P), and Back Panel (S). Insert Cams (C) into Left and Right Side Panel (N & P), and Back Panel (S). Install Cam Posts (B) into threaded inserts in Top (M). Attach Top (M) to Left and Right Side Panel (N & P), and Back Panel (U) by turning Cams (C).

Apply Cam Stickers (D) onto exposed Cams (C). Insert Caps (H1) into adjustment holes for levelers.



7

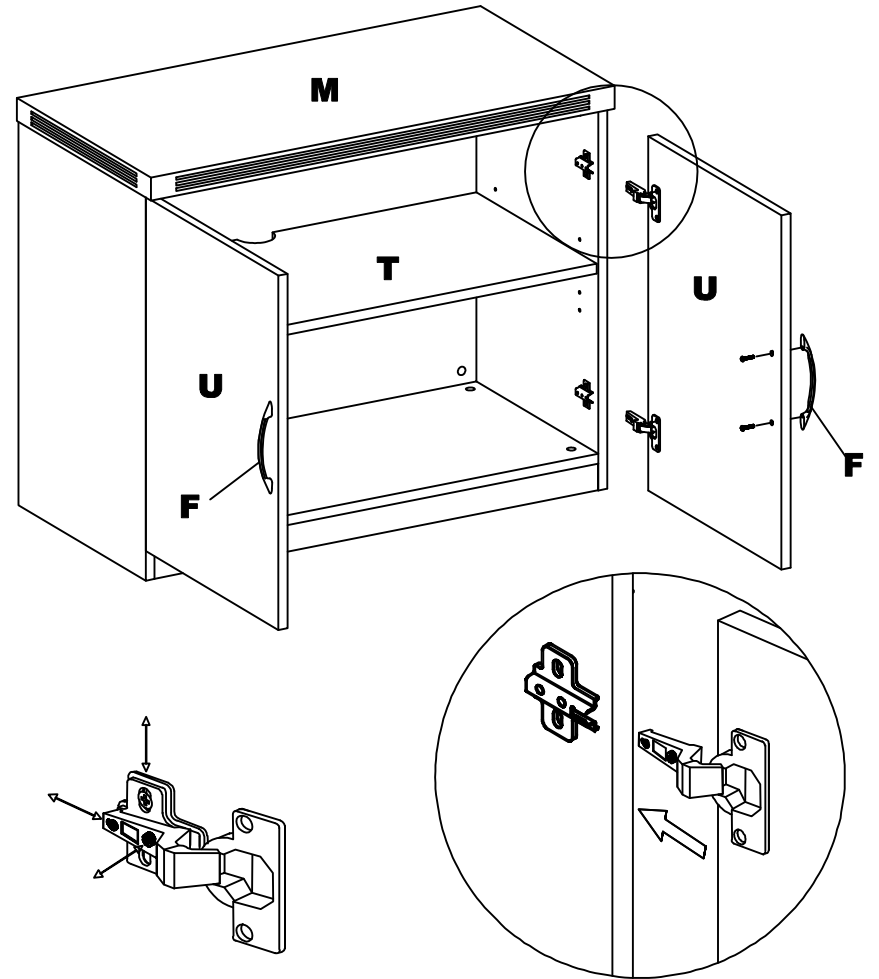
- 7** Install Shelf Support Pins (E) into Left and Right Side Panel (N & P).
Install Moveable Shelves (T).



8





- 8** Attach Handles (F) to Wood Doors (U) using screws supplied with Handle. Install Wood Doors (U) onto cabinet.

Adjust doors for alignment as necessary by using the adjustment screws on the hinges. DO NOT use Power Driver to make these adjustments.



9

Pre-Installed Replacement Parts List

Part	Included Qty.	Part	Included Qty.
 REALS013 Hinge - Straight	4	 REALS013P Hinge Plate - Short	4
 REALS247 Bumper	2	 REALS018 Ø4 x 14mm	16