**IMPORTANT**

Review ALL Instructions before beginning assembly. These instructions are provided to avoid problems that may occur from improper assembly or installation. Mayline and/or its distributor are not responsible for failure resulting from improper assembly or installation of this product. Moreover, all warranties are void for failure to follow these assembly instructions.



619 N. Commerce, P.O. Box 728 Sheboygan, WI 53082-0728  
www.mayline.com 800-822-7388 920-457-7388

1720

# ASSEMBLY INSTRUCTION

## AI, TABLE, BISTRO, SQUARE BASE

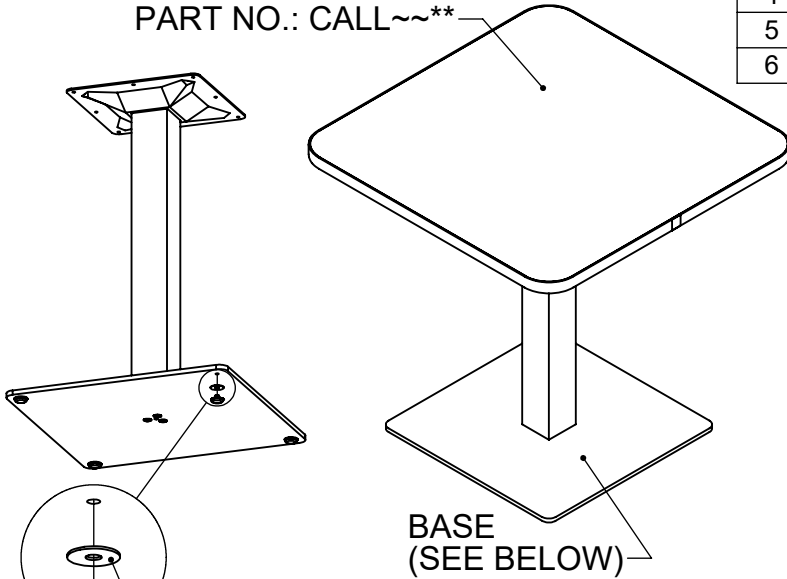
### TABLE ASSEMBLY (GENERIC)

ITEM	PART NO.	DESCRIPTION	QTY
1	CALL~**	TOP, SQUARE/ROUND/PEANUT	1
2	SEE BELOW	BASE, TABLE, SQUARE	1

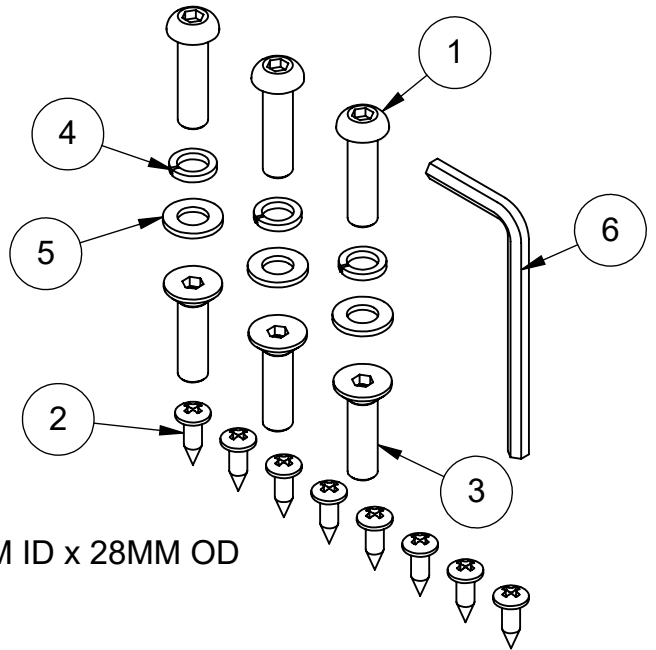
### HARDWARE BAG (PART# CA103)

ITEM	DESCRIPTION	QTY
1	SCREW, M8-1.25 X 30, SBHCS, , BLACK OXIDE	3
2	SCREW, #10 X 0.63, PPHPBS, , BLACK OXIDE	8
3	SCREW, M8 X 30MM, FHSCS, BLK	3
4	WASHER, LOCK, M8, BLK	3
5	WASHER, M8, 8.4ID, 16OD, 1.6THK, SFWM, , ZINC	3
6	HEX KEY 5.0MM	1

TOP  
PART NO.: CALL~\*\*



CA102, WASHER, REPL, RUBBER 8.7MM ID x 28MM OD  
CA101, GLIDE M8 X 8MM SS SQ BISTRO

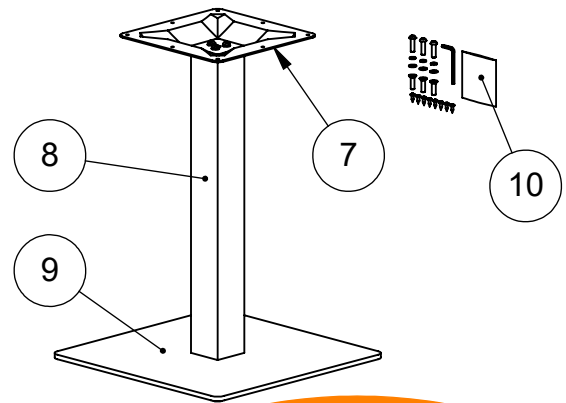
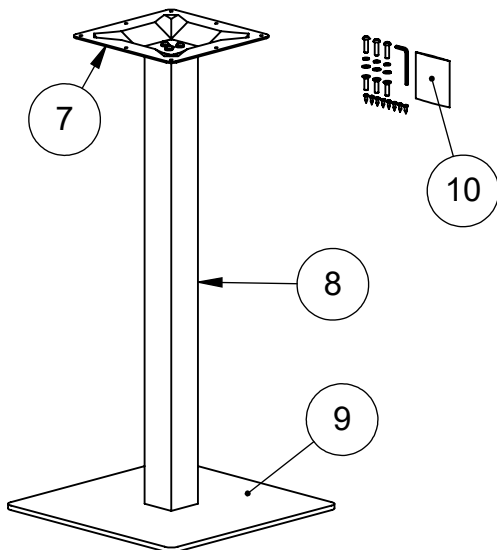


### BASE (CA411S)

ITEM	DESCRIPTION	QTY
7	TOP MOUNTING PLATE	1
8	COLUMN, BAR HEIGHT, SS SQ	1
9	BASE, SQUARE	1
10	HARDWARE KIT, BISTRO SS SQ BASE	1

### BASE (CA281S)

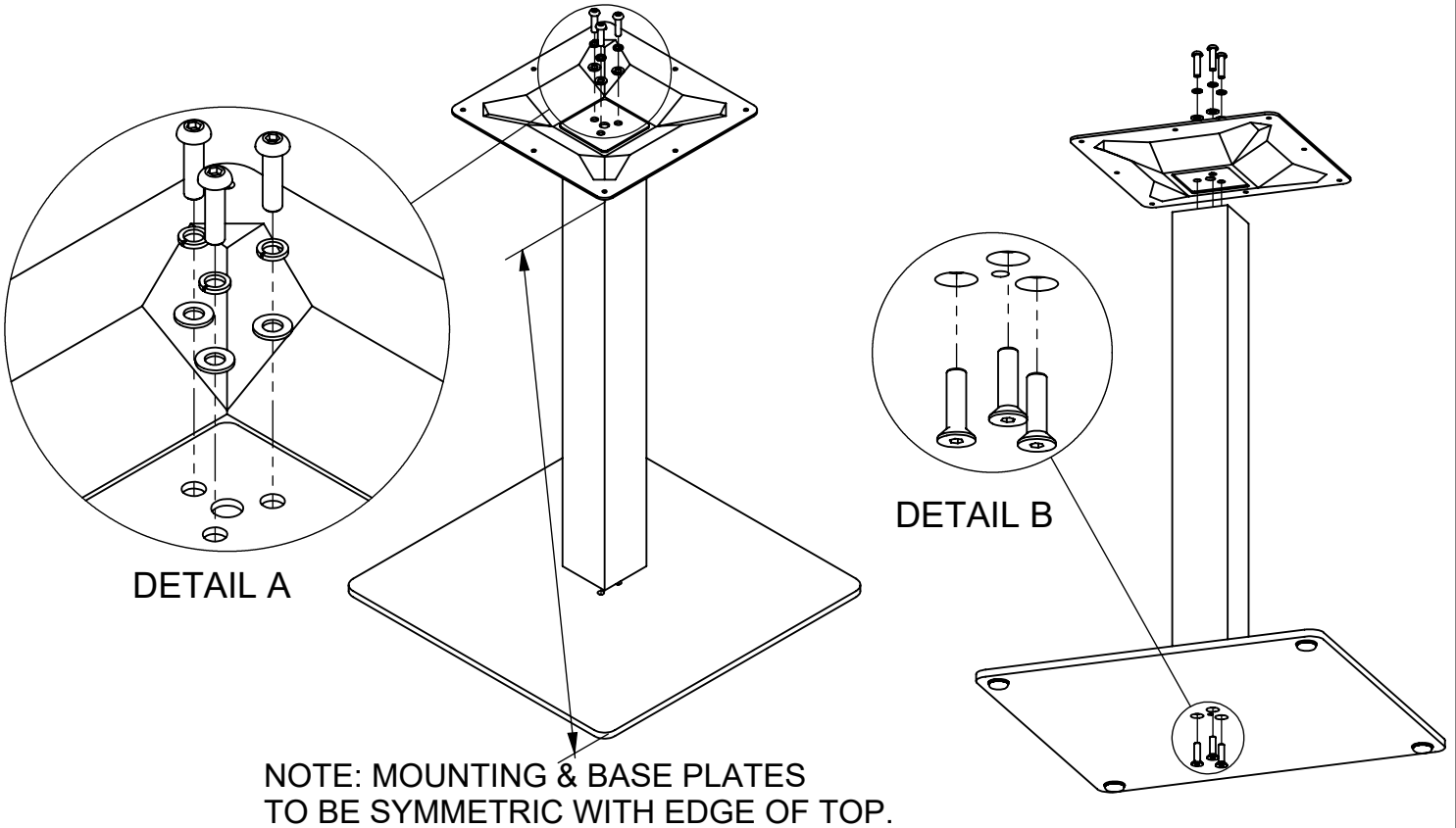
ITEM	DESCRIPTION	QTY
7	TOP MOUNTING PLATE	1
8	COLUMN, DINING HEIGHT, SS SQ	1
9	BASE, SQUARE	1
10	HARDWARE KIT, BISTRO SS SQ BASE	1



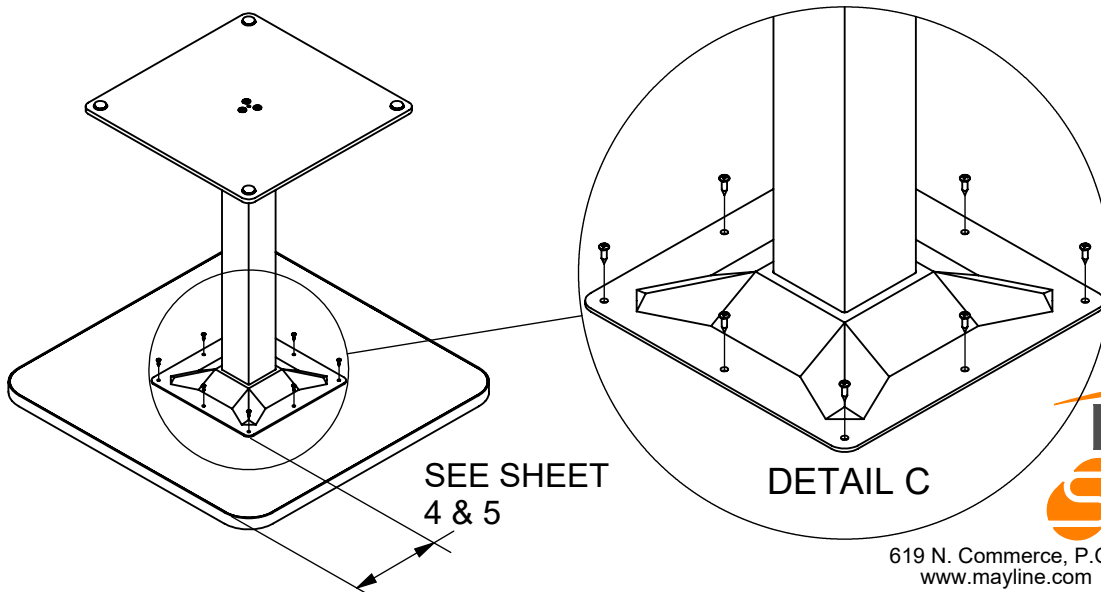
619 N. Commerce, P.O. Box 728 Sheboygan, WI 53082-0728  
www.mayline.com 800-822-7388 920-457-7388

ASSEMBLY

1. Assemble Mounting Plate (7) to Column (8) using Washer (5) Lockwasher (4) & Screw (1) with Hex Key (6) in three (Detail A)
2. Assemble Base (9) to Column (8) using Screw (3) with Hex Key (6) three places (Detail B)



4. Place Top face down on a clean flat surface. Center Base Assembly on Top and attach Base using Screws (2) (Detail C)
- NOTE: Pilot holes not required. The (1) hole in the center of the top is for the screw pattern center on sheet 5.  
 Tops are used across multiple bases. See sheets 4 & 5 for alternate base orientations.

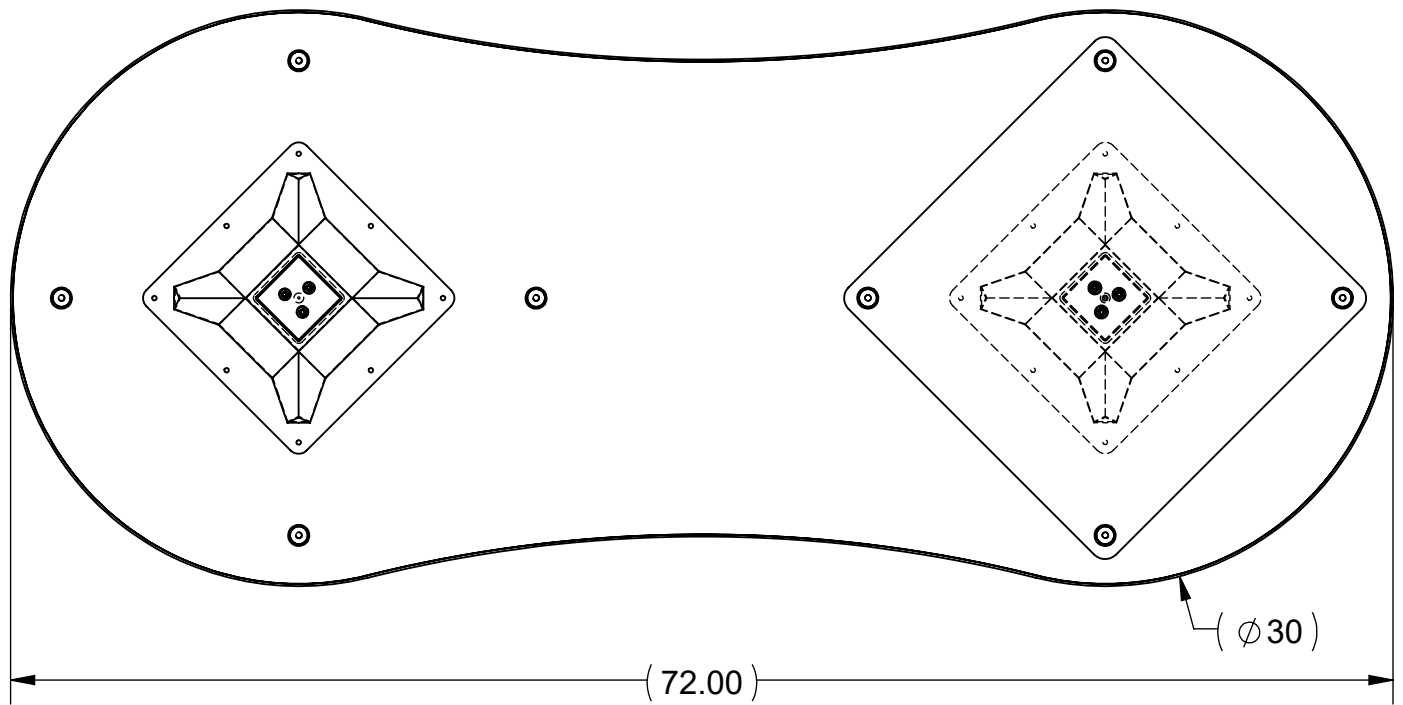
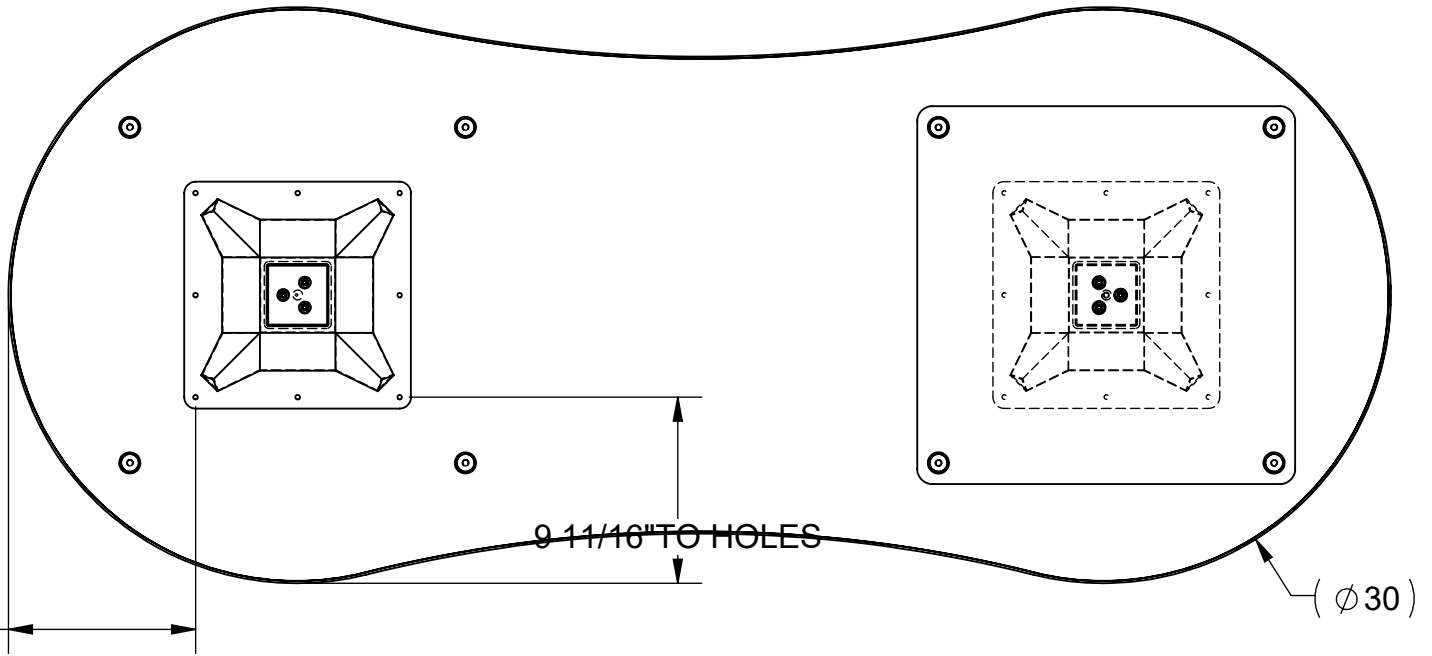


619 N. Commerce, P.O. Box 728 Sheboygan, WI 53082-0728  
 www.mayline.com 800-822-7388 920-457-7388

1720

# ASSEMBLY INSTRUCTION

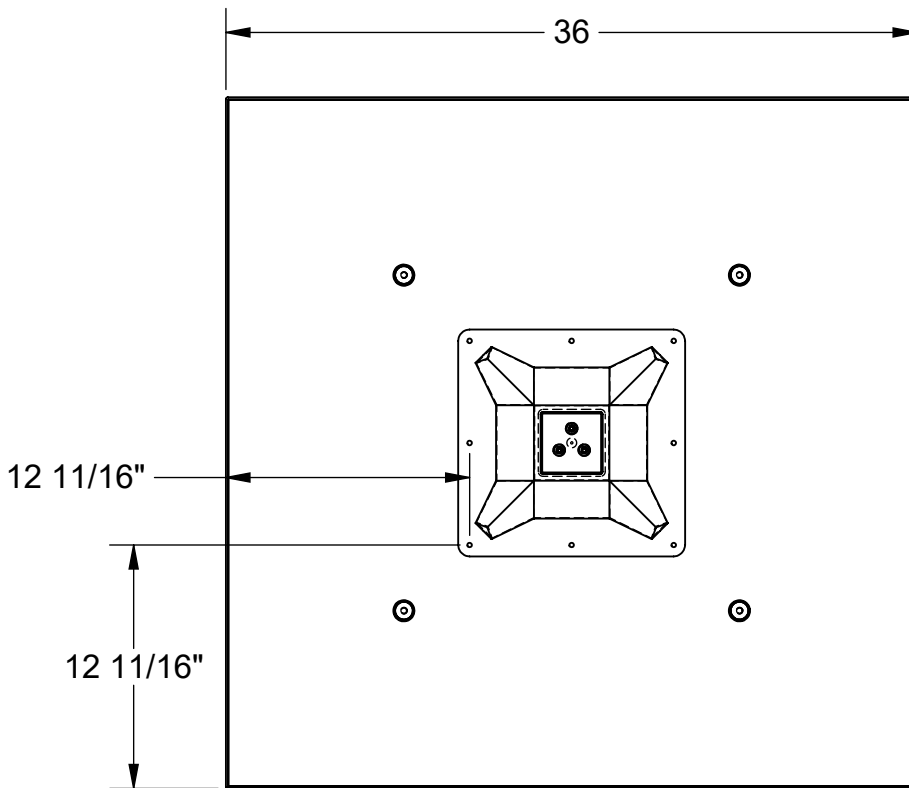
AI, TABLE, BISTRO, SQUARE BASE



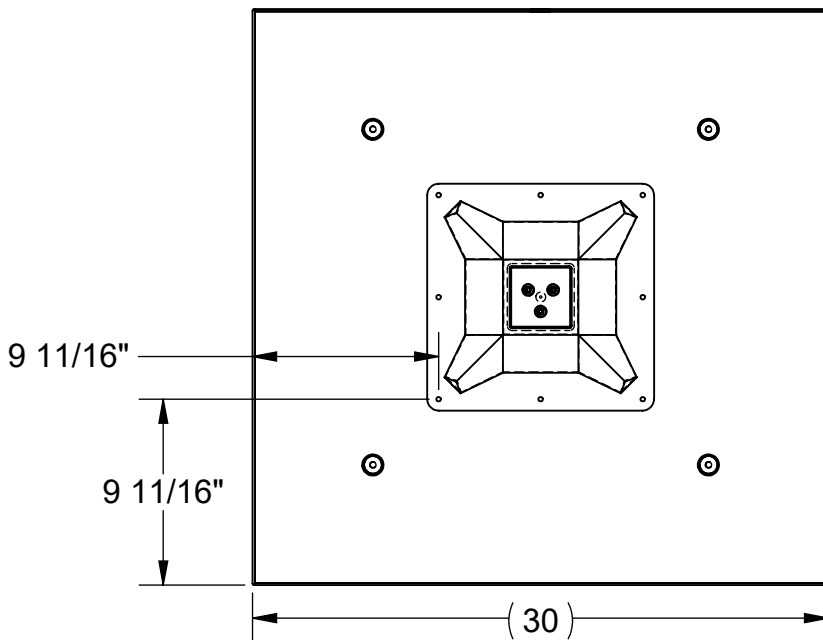
SAVED: 1/18/2018 8:38:20 AM

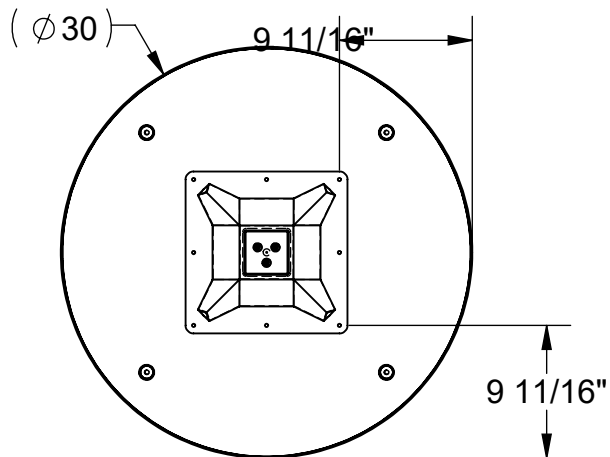
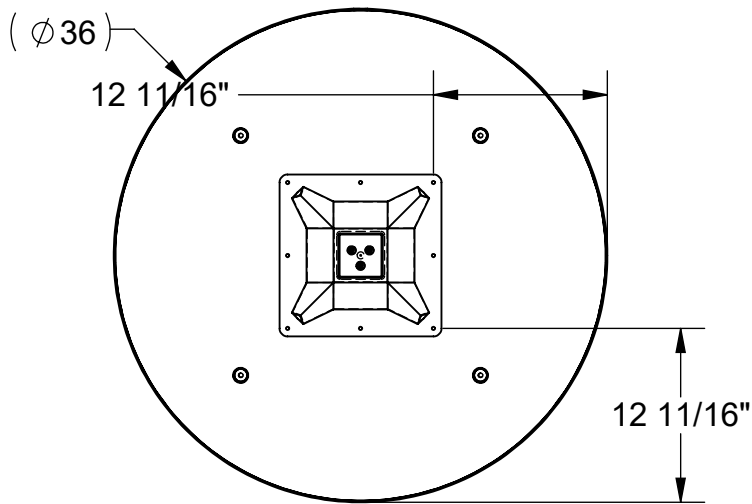
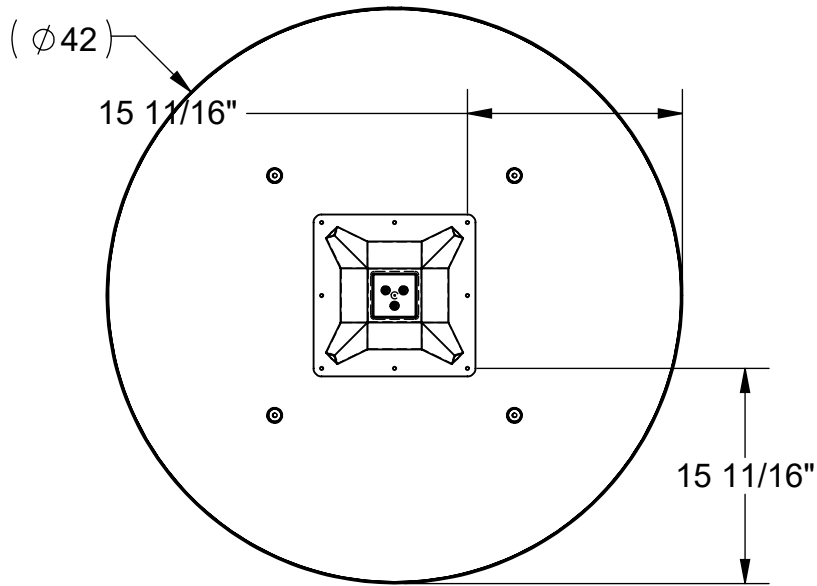


619 N. Commerce, P.O. Box 728 Sheboygan, WI 53082-0728  
www.mayline.com 800-822-7388 920-457-7388



NOTE:  
ALL DIMENSIONS FROM EDGE  
TO MOUNTING HOLE CENTERS

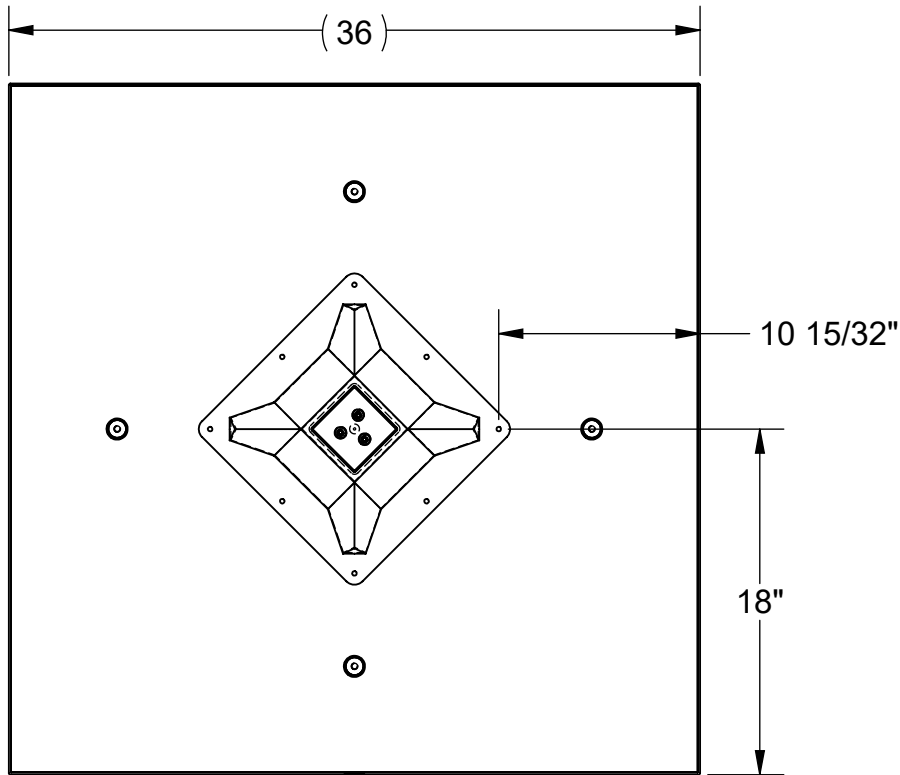




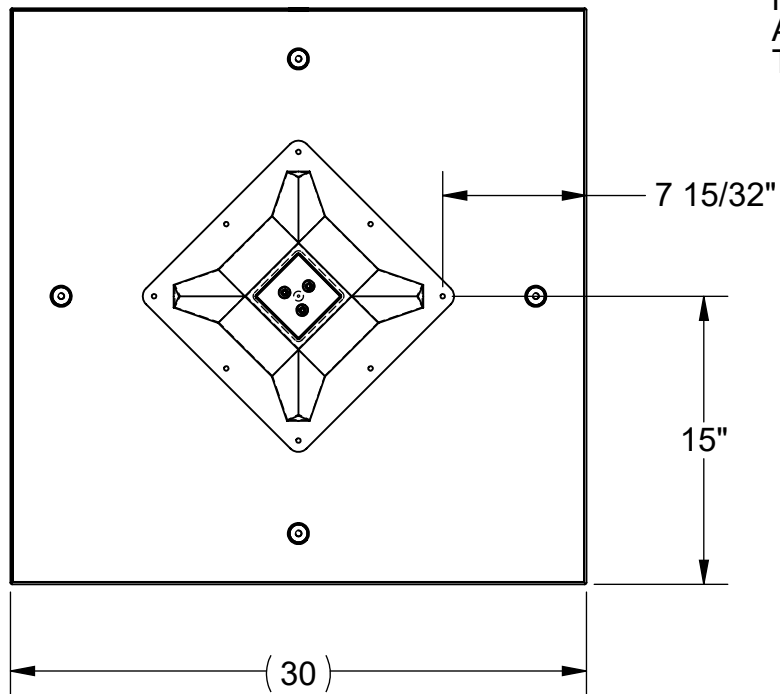
NOTE:  
ALL DIMENSIONS FROM EDGE  
TO MOUNTING HOLE CENTERS



619 N. Commerce, P.O. Box 728 Sheboygan, WI 53082-0728  
www.mayline.com 800-822-7388 920-457-7388



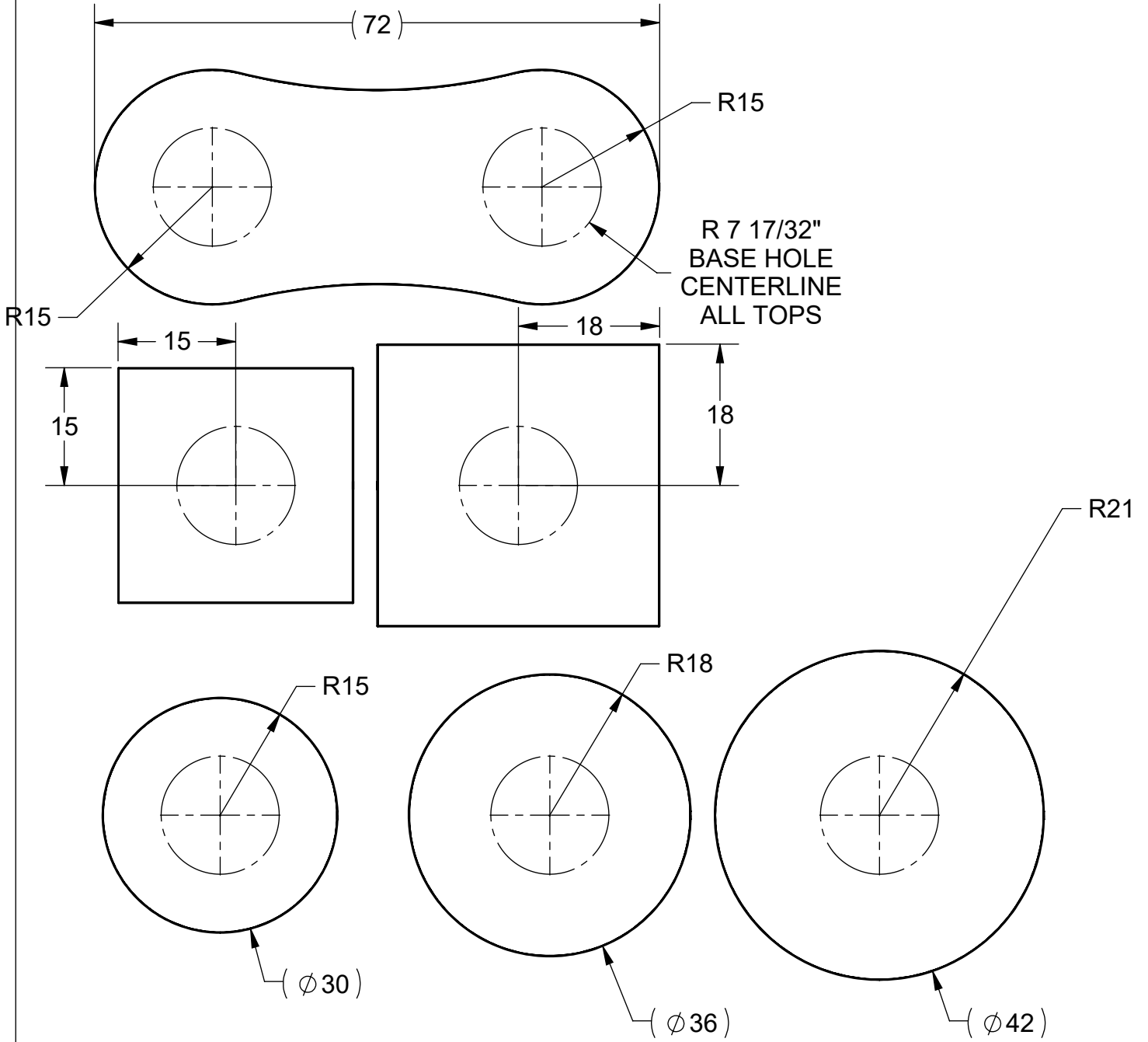
NOTE:  
ALL DIMENSIONS FROM EDGE  
TO MOUNTING HOLE CENTERS



I720

# ASSEMBLY INSTRUCTION

AI, TABLE, BISTRO, SQUARE BASE



SAVED: 1/18/2018 8:38:20 AM



619 N. Commerce, P.O. Box 728 Sheboygan, WI 53082-0728  
www.mayline.com 800-822-7388 920-457-7388