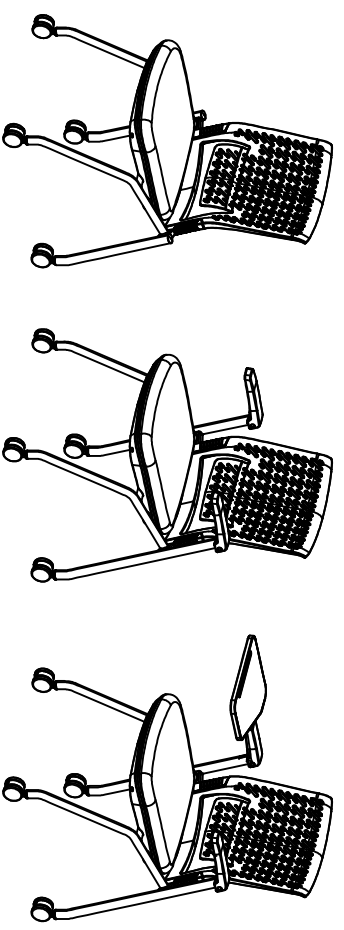


**ASSEMBLY INSTRUCTIONS**  
**THEISIS FLEX SERIES**  
**FLEX BACK**

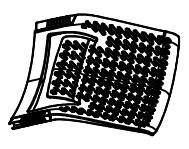
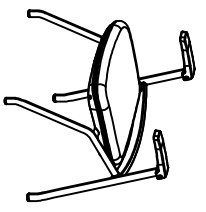







**PARTS LIST**

When ordering components, specific color and/or size information may be required.  
 Contact a Mayline Customer Service Representative. 1-800-822-8037

\* Individual Items, Order by part number.  
 \*\* Denotes Color Code

*Views for reference only. Actual product may vary.*

<b>A</b> Reference Letter		<b>1</b>
Part Number <b>Back Assembly</b> Reference Letter		
<b>B</b> Reference Letter		<b>1</b>
Part Number <b>Frame/Seat Assembly</b> Reference Letter		
<b>C</b> Reference Letter		<b>1</b>
Part Number <b>Tablet Assembly w/Screw</b> Reference Letter		
<b>D*</b> Reference Letter		<b>1</b>
Part Number <b>KNT119 Caster (4 pack)</b>		

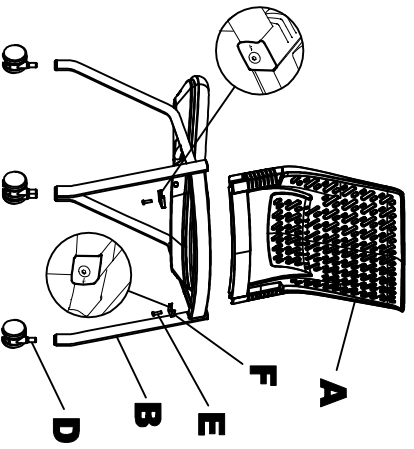
Part Number <b>KNT153* Hardware Pack (Flex Back)</b>		
<b>E</b> Reference Letter		<b>2</b>
Reference Letter		
<b>F</b> Reference Letter		<b>2</b>
Reference Letter		
<b>G</b> Reference Letter		<b>1</b>
Reference Letter		

**IMPORTANT!**  
**Review ALL instructions before beginning assembly.** These instructions are provided to avoid problems that may occur from improper assembly or installation. Mayline and/or its distributor are not responsible for failure resulting from improper assembly or installation of this product. Moreover, all warranties are void for failure to follow these assembly instructions.

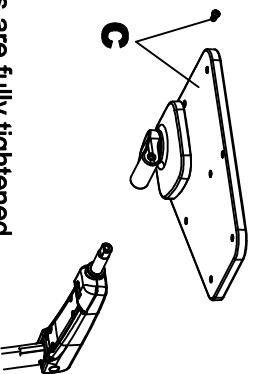


1. Attach Back Assembly (A) to Frame/Seat Assembly (B) using Screw (E) & Back Mounting Cap, Left & Right. (F). 2 Places. NOTE: See "L" or "R" on Caps and arrows to be assembled outward.

2. Insert Casters (D) firmly into the Frame/Seat Assembly (B). 4 Places.



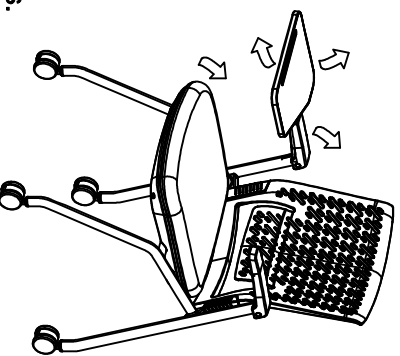
Chairs with Tablet Assembly  
3. Attach Tablet Assembly (C) to Frame/Seat Assembly (B) using Screw included with Tablet Assembly.



NOTE:  
Periodically (Every 90 days) make sure screws are fully tightened.

### FEATURE INSTRUCTIONS

- 1. Seat Adjustment.**  
Lifts upward 92° to allow nesting & stacking.
- 2. Arm Adjustment**  
Lifts upward 70° to allow nesting & stacking.
- 3. Tablet Adjustment**  
Automatically rotates to side position when tablet rotates 60° forward or 90° upward.



Note: Tablet maximum weight capacity 100lbs.

(3)