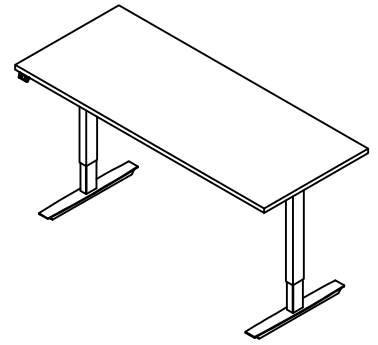
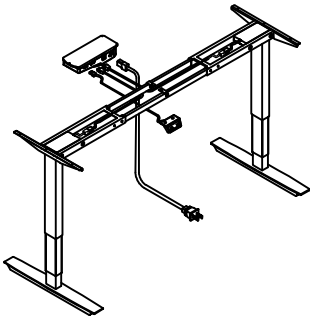


ASSEMBLY INSTRUCTIONS

for DUAL COLUMN 2 and 3 STAGE BASES



NOTE: Column Assemblies are heavy.
Use care to avoid dropping column or allowing
column assembly to fall during assembly or
damage to internal glide system may occur!

NOTE: Please count and inspect all pieces before disposing of any carton or packing materials.

COMPONENTS: When ordering components, specific size information may be required.
Contact a Mayline Customer Service Representative. 1-800-822-8037

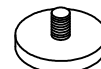
REF. #	QTY.	DESCRIPTION	PART No.
1	2	LIFT ACTUATOR	-
2	2	FOOT w/LEVELERS	5122F2S (22" 2 Stage) - 5122FS (22" 3 Stage) 5126F2S (26" 2 Stage) - 5126FS (26" 3 Stage)
3	2	ACTUATOR FRAME	-
4	2	ADJ. CROSS BAR	-
5	2	TOP SUPPORT BRKT	A9039S
6	1	CONTROL BOX	Z529 (2 Stage) - Z530 (3 Stage)
7	1	STD. SWITCH	523SC
8	2	MOTOR CABLE	-
9	1	WIRE CHANNEL	-

****OPTIONAL MEMORY SWITCH - 523MC**

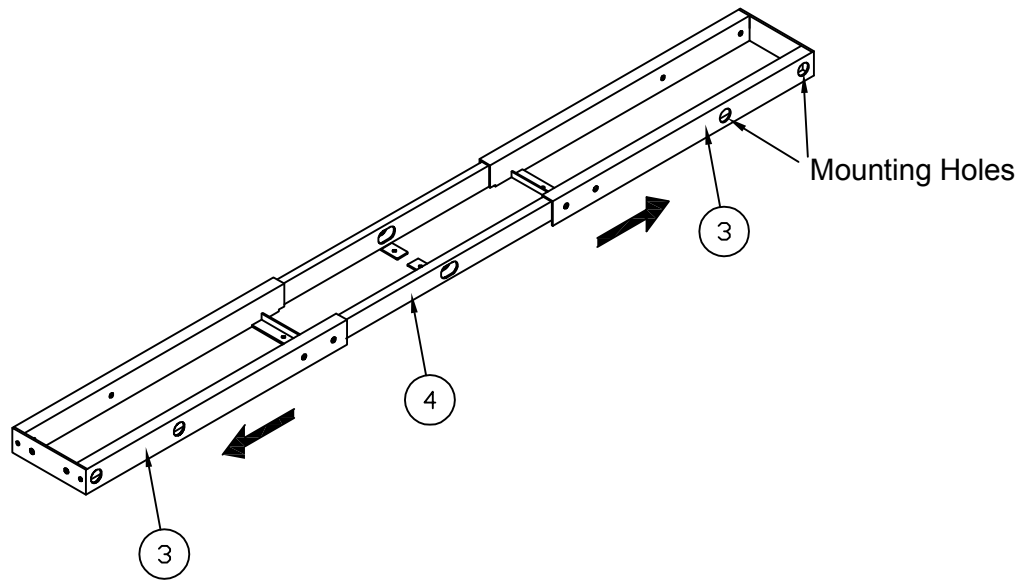
HARDWARE BAG (For any missing components order PART No. A9035)

REF. #	QTY.	DESCRIPTION	
E1	26	M6 x 15mm MACHINE SCREW LOCK WASHER FLAT WASHER	
E2	12	FLAT WASHER	
E3	10	4mm SET SCREW	
E4	22	#10x1" PAN HD WOOD SCREW	
E5	1	4mm HEX WRENCH	

REPLACEMENT LEVELER
PART# Q714



1. Separate Actuator Frames (3) from Adj Cross Bar (4) enough to expose the 8 mounting holes in the Actuator Frame.

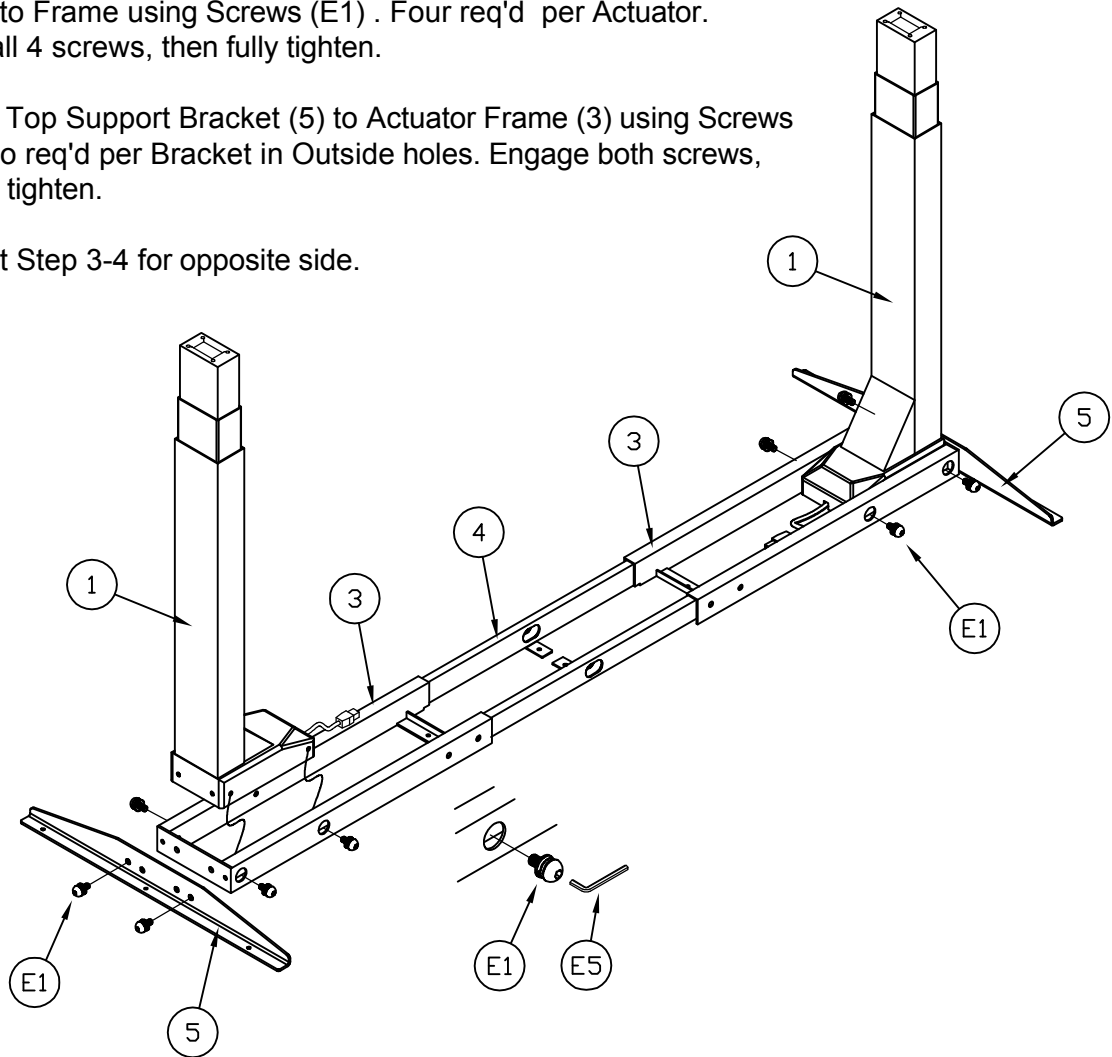


2. Place Actuator Frames (3) with Adj Cross Bars (4) on clean flat surface with mounting straps down.

3. Place Actuator (1) in place between Actuator Frame (3). Attach Actuator to Frame using Screws (E1) . Four req'd per Actuator. Engage all 4 screws, then fully tighten.

4. Attach Top Support Bracket (5) to Actuator Frame (3) using Screws (E1) . Two req'd per Bracket in Outside holes. Engage both screws, then fully tighten.

5. Repeat Step 3-4 for opposite side.



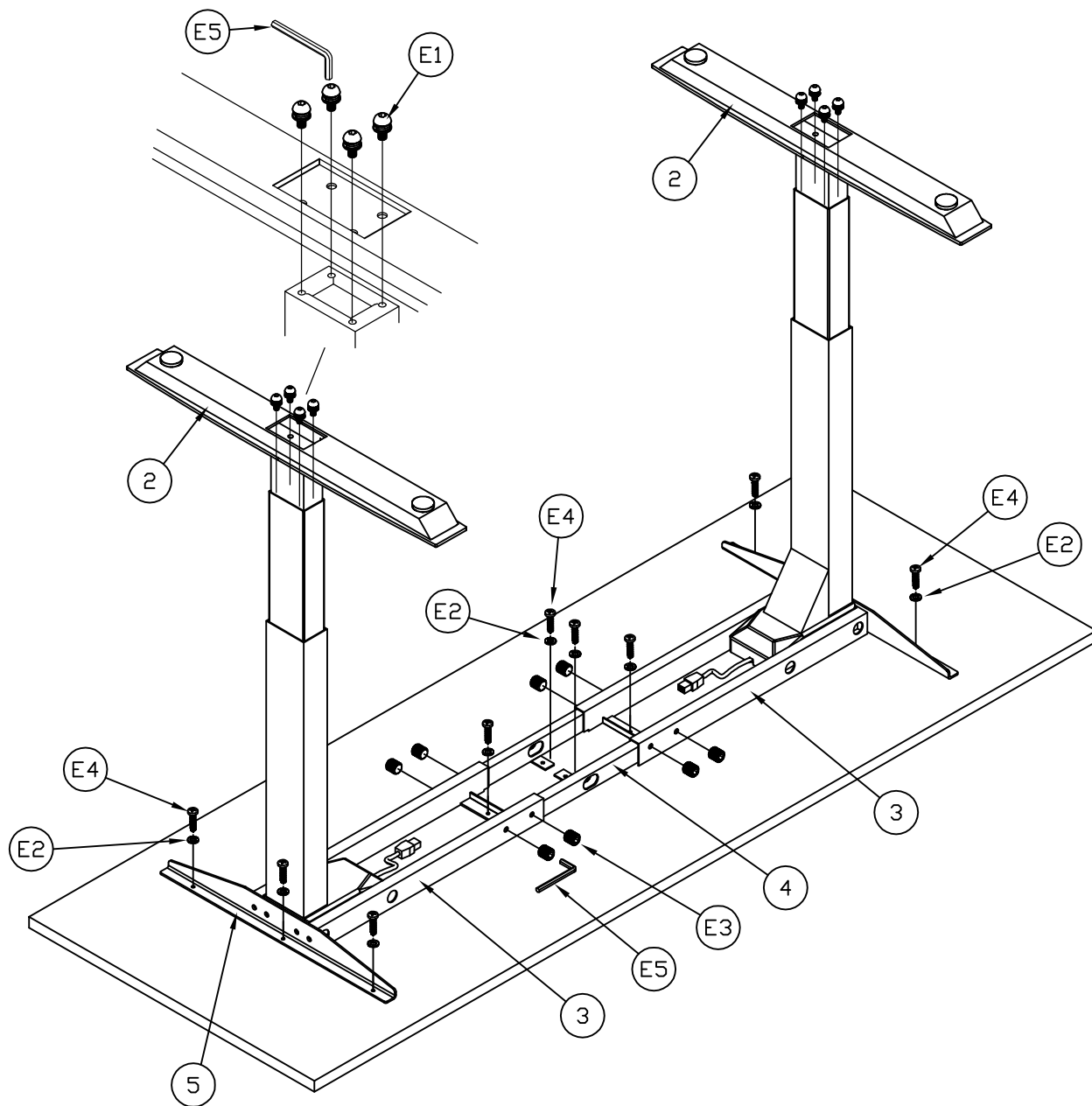
6. Place Table Top down on a clean, flat, non-abrasive surface. Place Actuator/Frame assembly in mounting location on top. Note: Use pilot holes and Top Support Brkt as a guide.

Note: Cross Bar adjustment will be required. Adjust Cross Bar (4) so Mounting Straps/Cord Passage Holes are approximately centered in the frame.

7. Attach Actuator Frames (3), Cross Bars (4), and Top Support Brackets (5) to Top using Screws (E4) and Flat Washer (E2). Do Not Over-tighten.

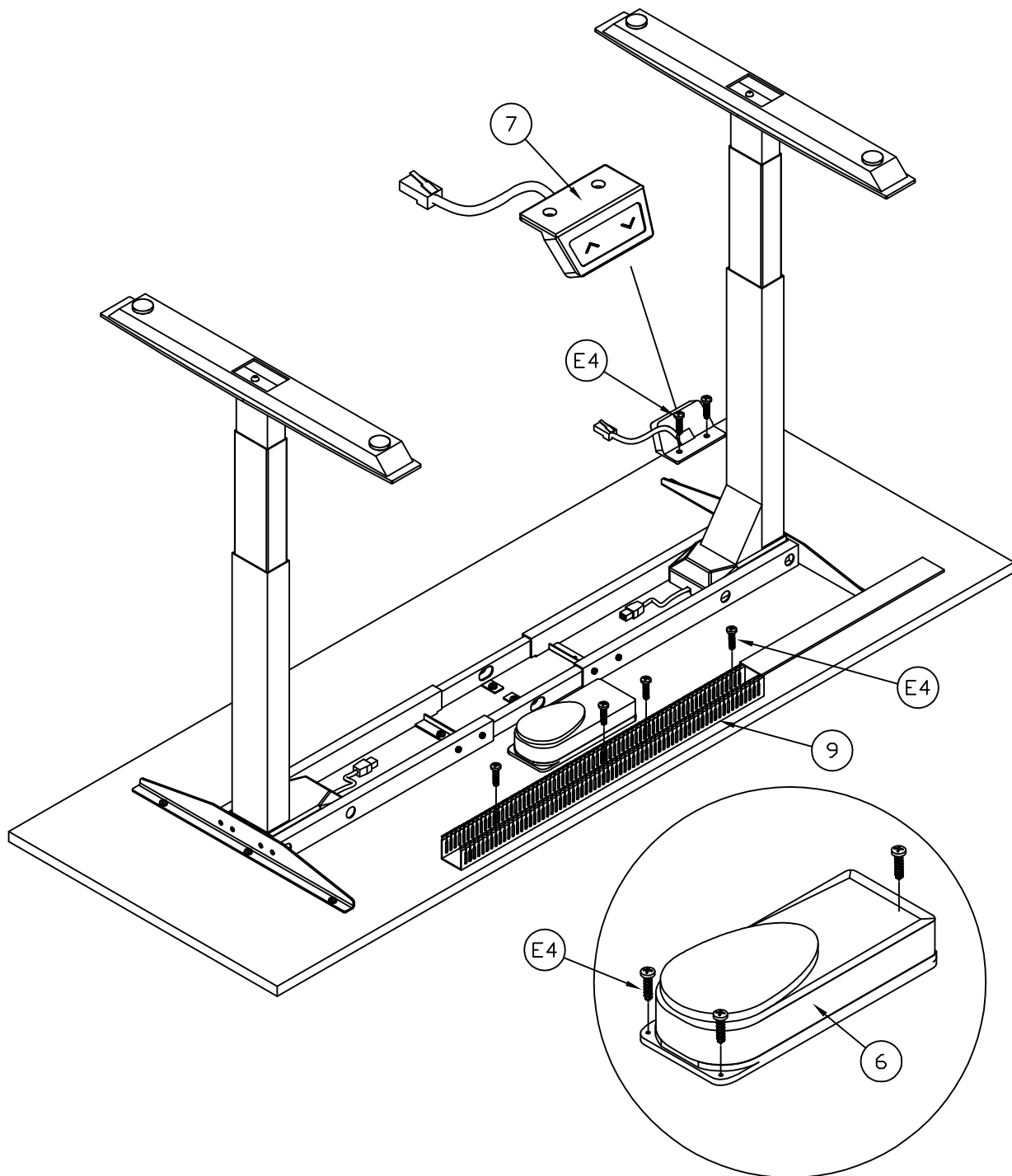
8. Insert and tighten Set Screws (E3) into Frame (3). Do Not Over-tighten.

9. Attach Foot (2) to Actuator using Screws (E1). Four req'd per Foot.



10. Position Switch (7) on desired location on front edge of top, and fasten with Screws (E4)

11. Position Control Box (6) and Wire Channel (9) in desired location, and fasten with Screws (E4).



12. Carefully plug Motor Cables (8), Switch Cord, and Power Cord into matching ports on Control Box. Use the Diagram below as a guide.

13. Using one person per side, Carefully rotate table onto the base.

14. Plug power cord into outlet and proceed with Switch Initialization. See User Manual.

