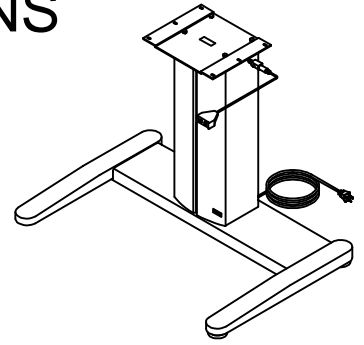


ASSEMBLY INSTRUCTIONS for 'E' Series VariTask



NOTE: Install base so Power Plug is easily accessible

NOTE: Bases shown with optional trim panel

NOTE: Please count and inspect all pieces before disposing of any carton or packing materials.

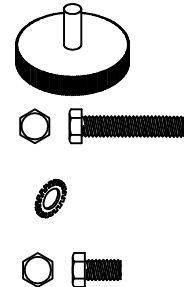
COMPONENTS: When ordering components, specific color and/or size information may be required. Contact a Mayline Customer Service Representative. 1-800-822-8037

REF. #	QTY.	DESCRIPTION	PART No.
1	1	BASE ASSEMBLY	CALL **
2	1	COLUMN ASSEMBLY	A7641 **
3	1	TOP PLATE	B7052

** Denotes Color Code

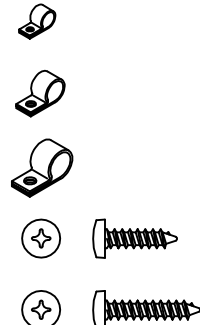
HARDWARE BAG (PART No. A7642) *for individual item, order that part number

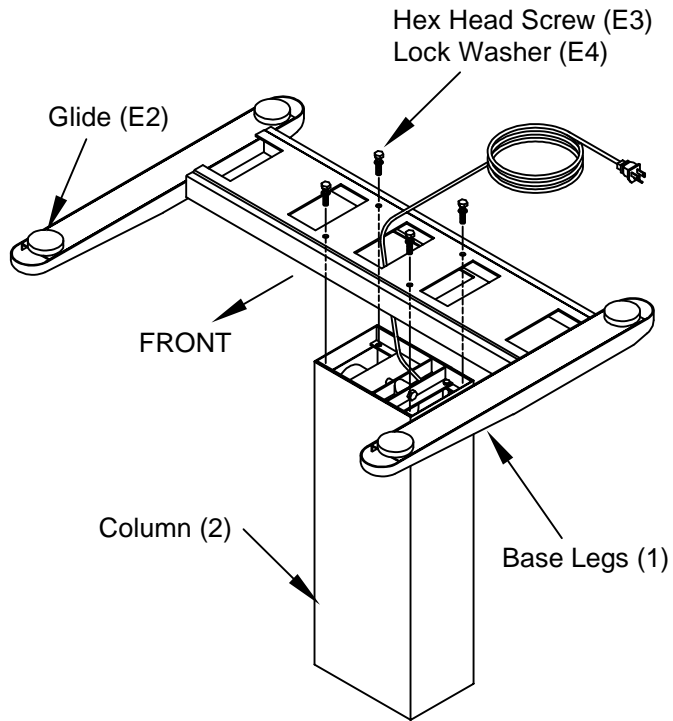
REF. #	QTY	DESCRIPTION	PART No.
E1	1	SWITCH w/ Screws	Z480*
E2	4	GLIDE	Q607*
E3	4	1/4"-20 x 1 3/4" HEX SCREW	D38*
E4	8	1/4" LOCK WASHER	W29*
E5	4	1/4"-28 x 1/2" HEX SCREW	X314*



The following hardware is included for the proper attachment of a Work Surface and for cable management:

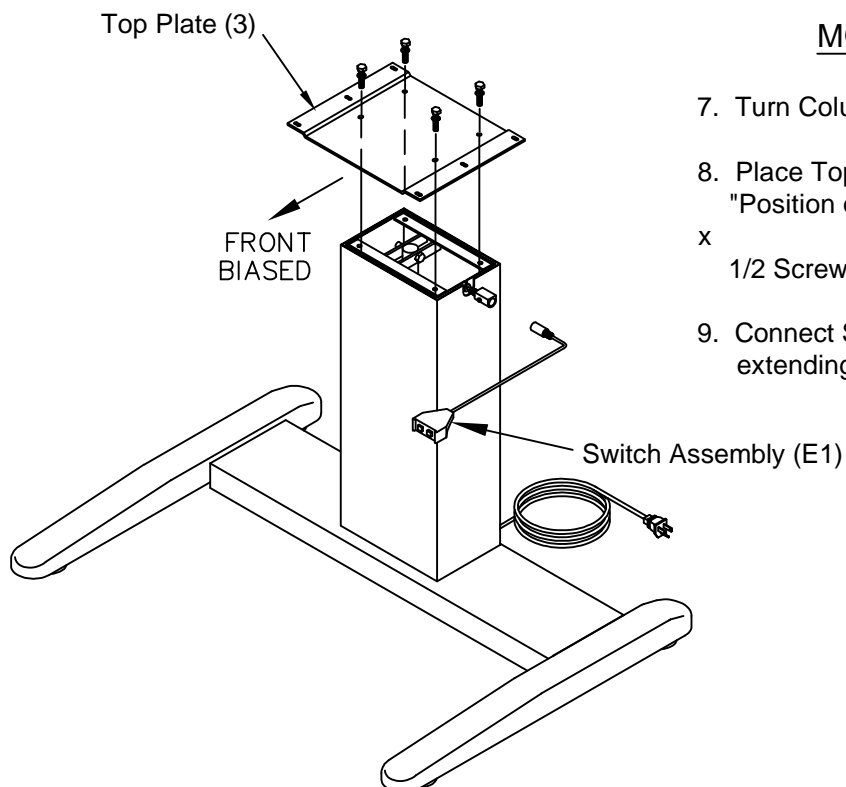
E6	1	1/8" CABLE CLAMP	F690*
E7	1	3/16" CABLE CLAMP	F600*
E8	2	3/8" CABLE CLAMP	F189*
E9	4	#10 x 3/4" SCREW	X11*
E10	6	#10 x 1" SCREW	X12*





MOUNTING BASE LEGS to COLUMN

1. Place Column Assembly (2) on end with Power Cord up.
2. Turn the Base Legs (1) upside-down and position the front of the base legs toward the front of the column.
3. Carefully feed Power Cord through center opening in the base and through center opening in bottom.
4. Position large opening in base over column and lower into place. NOTE: Do Not pinch Power Cord.
5. Fasten base with four 1/4-20 x 1 3/4 Hex Head Screw (E3) and four 1/4 Lock Washer (E4).
6. Install Glides (E2) into Base Legs.



MOUNTING TOP PLATE to COLUMN

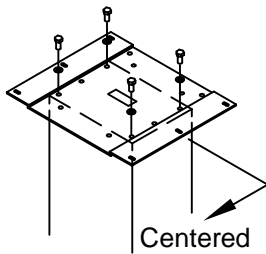
7. Turn Column/Base upright and install Top Plate (3).
8. Place Top Plate (3) in a front biased position. (See "Position of Top Plate" next page) Secure with four 1/4-28 x 1/2 Screws (E5) and four 1/4 Lock Washers (E4).
9. Connect Switch Assembly (E1) to Wiring Harness extending from the Column side.

NOTE:

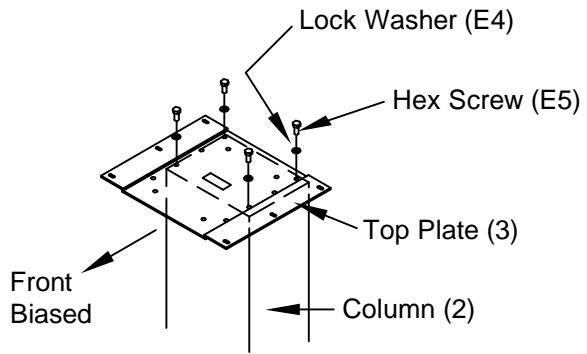
For OPTIMUM knee space under various top sizes or for mounting accessory items to top, you may be required to reposition the Top Plate depending upon the application.

Weight distribution on various size tops, as it effects stability, is the responsibility of the installer.

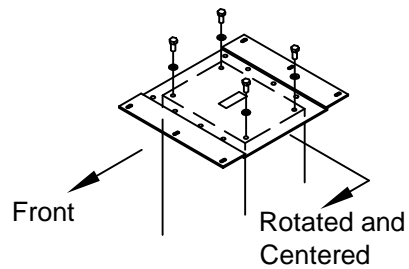
POSITION OF TOP PLATE



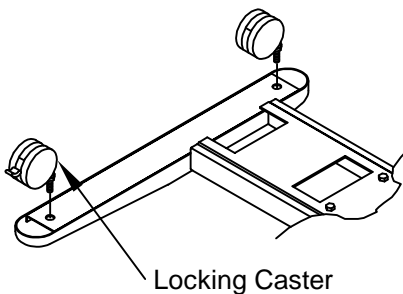
TOP PLATE POSITION #2: (Centered)



TOP PLATE POSITION #1: (Standard Position)



TOP PLATE POSITION #3: (Rotated)



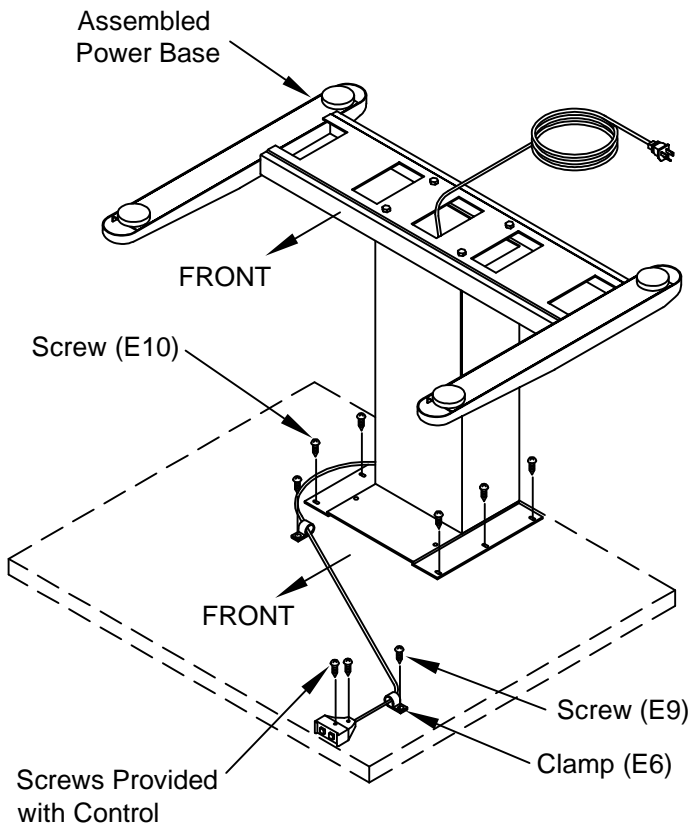
NOTE:

For Base Assemblies equipped with optional Casters, install Locking Casters in the front holes of the base.

WORK SURFACE INSTALLATION PROCEDURE

ATTENTION:

MAYLINE includes screws for the installation of a Work Surface with a minimal thickness of 1 inch (25.4mm).



NOTE:

#10 X 3/4" Screws (E9) are provided for clamp installation only.

#10 x 1" Screws (E10) are provided for Work Surface attachment only.

1. Place work surface face down, onto a protected surface.
2. Invert the Power Base so the Top Plate is down. Position the front of the Power Base toward the front of the work surface. Secure the Base using six #10 x 1" Screws (E10).
3. Place Hand control in desired location along front edge. Attach using screws provided with the control.
4. Various size clamps are provided to secure excess cable to the work surface. Position Clamps (E6 - E7 - E8) as needed and secure with #10 X 3/4" Screws (E9).
5. Turn the completed unit to an upright position.