

Kwik-File, LLC

Tambour Door Replacement

1. Remove bottom pan by lifting up on bottom pan.
(Fig 1.1)

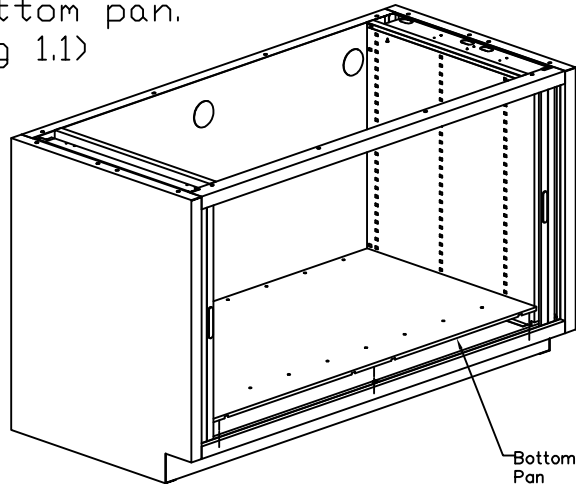


Fig 1.1

2. Remove one insert panels by removing the (4) screws
Note: When replacing insert panels, two rectangles on insert should be placed to back side of console.
(Fig 1.2)

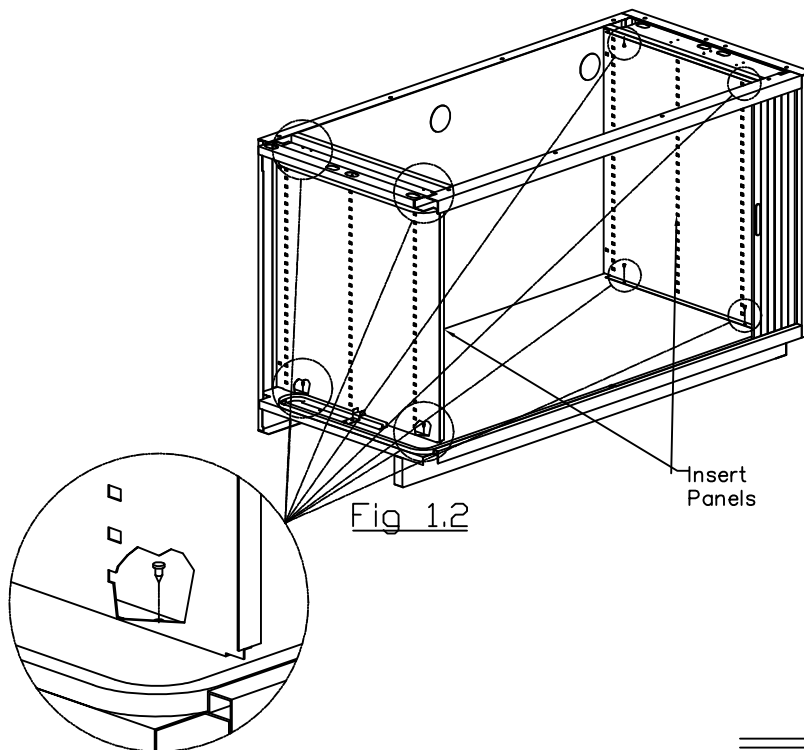


Fig 1.2

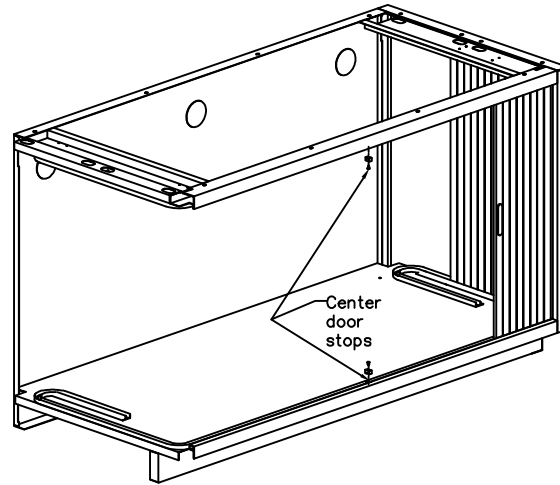
Note: Top, left hand door and left hand end panel not shown.

Scale 5:1

KWIK-FILE®

Kwik-File, LLC
490 Northco Drive
Minneapolis, MN 55432
Phone: 1-800-822-8037
Fax: 920-457-7388
Online: www.mayline.com

3. Remove center door stops.
(Fig 1.3)



Note: Top, left hand door and left hand end panel not shown.

Fig 1.3

4. Slide both doors to one side of cabinet. Remove top & bottom track from the side that you removed the end panel from.
(Fig 1.4)

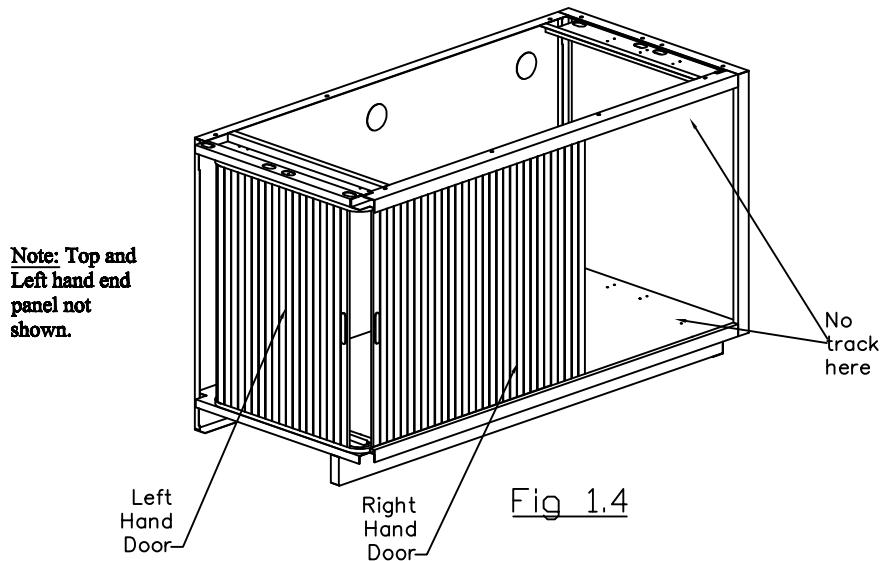


Fig 1.4

5. Slide both doors out of cabinet.

6. Unpack doors for cabinet and assemble slam rails to door slats.

Note: For 36" Consoles, remove 18 slats from both right and left hand doors.

7. Slide new doors back into the track that was left in place.

Note: Right hand door has the lock installed into the slam rail.

Reverse the previous steps starting at step 4 to step 1.